

GAZELLE[®]

TOOLS THAT WORK AS HARD AS YOU DO



2026

ELECTRICAL TOOLS CATALOGUE

TABLE OF CONTENTS

2

CUTTING TOOL

MANUAL HYDRAULIC CUTTING TOOL	2
BATTERY POWERED HYDRAULIC CUTTING TOOL	5
HYDRAULIC CABLE CUTTING HEAD	11
INSULATED HYDRAULIC CUTTING TOOL WITH PUMP	13
BUSBAR CUTTING TOOL	16

19

PUNCHING TOOL

BUSBAR PUNCHING TOOL	19
MANUAL HYDRAULIC PUNCHING	21

23

CRIMPING TOOL

TERMINAL CRIMPER	23
MANUAL HYDRAULIC CRIMPING TOOL	24
BATTERY POWERED HYDRAULIC CRIMPING TOOL	26
HYDRAULIC CABLE CRIMPING HEAD	32
CRIMPING DIES	34

35

HYDRAULIC BEARING PULLER

39

HYDRAULIC FOOT PUMP

44

CORDLESS ACCESSORIES

45

HYDRAULIC CABLE DRUM STAND

G9642 MANUAL HYDRAULIC CUTTING TOOL



HIGH CUTTING FORCE

Delivers 12 tons of output force, ensuring efficient and precise cutting for industrial applications



VERSATILE CUTTING CAPACITY

Handles Cu/Al/ACSR cables up to 55 mm in diameter and steel bars up to 22 mm in diameter



Output Force

12T

Cutting Capacity

Ø55mm OD



SCOPE OF DELIVERY



SPECIFICATION

Output Force	12t
Rated Pressure	700bar
Cutting Capacity	Max: ø55mm Cu/Al/ACSR Max: ø22mm Steel Bar
Net Weight	7kg
Dimensions	61 x 17 x 8.5 cm
Packing Size	51x 22 x 11 cm

G9641 MANUAL HYDRAULIC CUTTING TOOL



HIGH CUTTING FORCE

Delivers 6 tons of output force, ensuring efficient and precise cutting for industrial applications



VERSATILE CUTTING CAPACITY

Handles Cu/Al cables up to 50 mm in diameter and 10kV cables up to 400 mm²



Output Force

6T

Cutting Capacity

Ø50mm OD



Cu/Al



ACSR



Light Armored



Steel Bar

SCOPE OF DELIVERY

Hard Case



G9641



User Manual

Quality Certificate

SPECIFICATION

Output Force	6t
Rated Pressure	700bar
Cutting Capacity	Max: ø50mm Cu/Al 10kV 400mm ²
Net Weight	3.9kg
Dimensions	56 x 17 x 8 cm
Packing Size	51x 22 x 11 cm

CABLE CUTTER

G80404

RATCHET CABLE CUTTER

SPECIFICATION

Cutting Capacity

ø52mm OD



Cutting Capacity

Ø52mm OD

G9657 BATTERY POWERED RATCHET CUTTING TOOL



HIGH CUTTING CAPACITY

Designed to cut copper and aluminum cables with a maximum outer diameter of 54 mm



PRECISION GEARBOX DRIVE

Ensures smooth operation and efficient torque for professional-grade cutting



FEED-IN SWITCH



FEED-OUT SWITCH

Cutting Capacity
Ø54mm OD



Cu/Al



ACSR



Light Armored



Steel Bar

SCOPE OF DELIVERY



SPECIFICATION

Cutting Capacity	Max: Ø54mm Cu/Al Cable
Operating Temperature	-10~50°C
Battery	DC 18V 4.0Ah Lithium Battery
Cutting Cycles (Fully Charged)	About 100 cycles
Charger Power Supply	AC 220V 50~60Hz
Charging Time	About 40 minutes
Tool Dimensions	190 x 10 x 340mm

G9657AC BATTERY POWERED RATCHET CUTTING TOOL



HIGH CUTTING CAPACITY

Designed to cut 240mm² ACSR and 100mm² copper stranded wires with precision and efficiency



PRECISION GEARBOX DRIVE

Ensures smooth operation and efficient torque for professional-grade cutting



FEED-IN SWITCH



FEED-OUT SWITCH

Cutting Capacity
Ø240mm²



Cu/Al



ACSR



Light Armored



Steel Bar

SCOPE OF DELIVERY



SPECIFICATION

Cutting Capacity	Max: \varnothing 240mm ² ACSR 100mm ² Copper Stranded Wire
Operating Temperature	-10~50°C
Battery	DC 18V 4.0Ah Lithium Battery
Cutting Cycles (Fully Charged)	About 100 cycles
Charger Power Supply	AC 220V 50~60Hz
Charging Time	About 40 minutes
Tool Dimensions	190 x 100 x 340mm

G9656 BATTERY POWERED HYDRAULIC CUTTING TOOL



HIGH CUTTING FORCE

Delivers 6 tons of output force, ensuring efficient and precise cutting for industrial applications



DIGITAL COUNTER

Displaying error alerts when faults are detected and recording the number of cutting cycles to support accurate usage-based maintenance scheduling and battery life monitoring



Output Force

6T

Cutting Capacity

Ø50mm OD



SCOPE OF DELIVERY



SPECIFICATION

Output Force	6t
Rated Pressure	700bar
Cutting Capacity	Max: Ø50mm
Net Weight	4.2kg
Dimensions	440 x 70 x 280 mm
Packing	Plastic Case
Packing Size	59 x 51 x 14 cm

G9655

BATTERY POWERED HYDRAULIC CUTTING TOOL



HIGH CUTTING FORCE

Delivers 6 tons of output force, ensuring efficient and precise cutting for industrial applications



DIGITAL COUNTER

Displaying error alerts when faults are detected and recording the number of cutting cycles to support accurate usage-based maintenance scheduling and battery life monitoring



Output Force

6T

Cutting Capacity

∅85mm OD



SCOPE OF DELIVERY



SPECIFICATION

Output Force	6t
Rated Pressure	700bar
Cutting Capacity	Max: ∅85mm
Net Weight	6.7kg
Dimensions	550 x 70 x 280 mm
Packing	Plastic Case
Packing Size	59 x 51 x 14 cm

G9651 BATTERY POWERED HYDRAULIC CUTTING TOOL



HIGH CUTTING FORCE

Delivers 12 tons of output force, ensuring efficient and precise cutting for industrial applications



DIGITAL COUNTER

Displaying error alerts when faults are detected and recording the number of cutting cycles to support accurate usage-based maintenance scheduling and battery life monitoring



Output Force

12T

Cutting Capacity

∅105mm OD



SCOPE OF DELIVERY



SPECIFICATION

Output Force	12t
Rated Pressure	700bar
Cutting Capacity	
Cu/Al	Max: ∅105mm
Armored Cable	Max: (10kV) 3 x 300mm ²
Net Weight	10.7kg
Dimensions	640 x 90 x 280 mm
Packing	Plastic Case
Packing Size	66 x 48 x 12.5 cm

G9651s BATTERY POWERED HYDRAULIC CUTTING TOOL



HIGH CUTTING FORCE

Delivers 12 tons of output force, ensuring efficient and precise cutting for industrial applications



DIGITAL COUNTER

Displaying error alerts when faults are detected and recording the number of cutting cycles to support accurate usage-based maintenance scheduling and battery life monitoring



Output Force

12T

Cutting Capacity

∅105mm OD



SCOPE OF DELIVERY



SPECIFICATION

Output Force	12t
Rated Pressure	700bar
Cutting Capacity	Max: ∅105mm Cu/Al Max (10kV) 3x400mm ² Light Armored Cable
Net Weight	10.7kg
Dimensions	640 x 90 x 280 mm
Packing	Plastic Case
Packing Size	56 x 48 x 12.5 cm

G9640 Series HYDRAULIC CABLE CUTTING HEAD

G9646

SCOPE OF DELIVERY

Hard Case



SPECIFICATION

Output Force	12t
Rated Pressure	700bar
Cutting Capacity	Max: \varnothing 105mm OD
Net Weight	7.5kg
Dimensions	550mm
Packing	Plastic Case

HYDRAULIC CUTTING HEAD



Output Force
12T

Cutting Capacity

\varnothing 105mm OD



Cu/Al



ACSR



Light Armored



Steel Bar

G9648

SCOPE OF DELIVERY

Hard Case



SPECIFICATION

Output Force	15t
Rated Pressure	700bar
Cutting Capacity	Max: \varnothing 132mm OD
Net Weight	15.8kg
Dimensions	660 x 240 x 100mm
Pump Requirements	Single Action
Packing	Hard Case

HYDRAULIC CUTTING HEAD



Output Force
15T

Cutting Capacity

\varnothing 132mm OD



Cu/Al



ACSR



Steel Wired Armored



Steel Bar

G9640 Series HYDRAULIC CABLE CUTTING HEAD

G9649-2

SCOPE OF DELIVERY



SPECIFICATION

Output Force	30t
Rated Pressure	700bar
Cutting Capacity	Max: \varnothing 160mm
Net Weight	24kg
Dimensions	97 x 34 x 15 cm
Pump Requirements	Dual Action
Packing	Metal Case

HYDRAULIC CUTTING HEAD

Note: Compatible for G9637 or G9638.



G9652

INSULATED HYDRAULIC CUTTING TOOL WITH FOOT PUMP



POWERFUL CUTTING FORCE

Delivers 10 tons of output force, ensuring efficient and reliable cutting for industrial applications



HANDS-FREE OPERATION

Equipped with a foot pump for enhanced user convenience and control during operation



Output Force

10T

Cutting Capacity

Ø132mm OD



Cu/Al



ACSR



Light Armored



Steel Bar

SCOPE OF DELIVERY



SPECIFICATION

Output Force	10t
Rated Pressure	700bar
Cutting Capacity	Max: Ø132mm
Net Weight	20.5kg
Packing	Steel Case

G9653-B

INSULATED HYDRAULIC CUTTING TOOL WITH BATTERY PUMP



VERSATILE CUTTING

Suitable for cutting copper and aluminum cables with light steel armoring



BATTERY-OPERATED

Convenient, battery-powered operation with remote control for ease of use



Output Force

10T

Cutting Capacity

Ø132mm OD



SCOPE OF DELIVERY



SPECIFICATION

Cutting Force	10t
Rated Pressure	700bar
Cutting Capacity	Max ø132mm Armored Cu/Al
Remote Control	Wired and Wireless
Hydraulic Pump	Battery Operated Pump
Reservoir Capacity	0.7L
Oil Output	
20 - 700bar	0.1 - 0.2L/Min
0 - 20bar	0.65 - 1.3 L/Min
Battery Voltage	18V
Output Current	4.0Ah
Charging Time	40 min
Packaging Size	75 x 39 x 40 cm
Weight	24.6kg

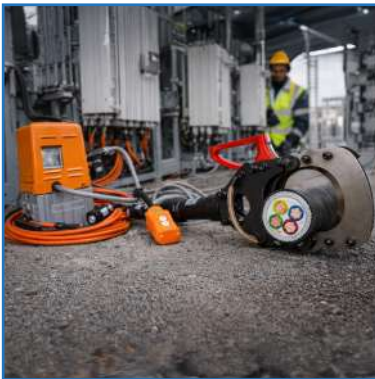
G9653

INSULATED HYDRAULIC CUTTING TOOL WITH ELECTRIC PUMP



POWERFUL CUTTING FORCE

Delivers 15 tons of output force, ensuring efficient and reliable cutting for industrial applications



ELECTRIC PUMP OPERATION

Reduces manual effort and enhances operational efficiency



Output Force

15T

Cutting Capacity

∅132mm OD



Cu/Al



ACSR



Steel Wired Armored



Steel Bar

SCOPE OF DELIVERY



SPECIFICATION

Output Force	15t
Rated Pressure	700bar
Cutting Capacity	Max ∅132mm OD Armored Cu/Al
Remote Control	Wired and Wireless
Hydraulic Pump	Electric Pump
Net Weight	30kg
Packing	Steel Case

G9681 BUSBAR CUTTING TOOL



HIGH CUTTING FORCE

Delivers 25 tons of cutting force, ensuring efficient and precise cuts for industrial applications



HYDRAULIC COMPATIBILITY

Powered by a single-acting hydraulic pump for reliable performance



Output Force

25T

Thickness Capacity

12mm

Cutting Width Capacity

150mm

SCOPE OF DELIVERY

Steel Case



G9681

SPECIFICATION

Output Force	25t
Rated Pressure	700bar
Max Thickness	12mm
Max Cutting Width	150mm
Net Weight	28kg
Dimensions	27 x 19 x 42 cm
Packing	Steel Case
Packing Size	38 x 27 x 46 cm

G9683 BUSBAR CUTTING TOOL



HIGH CUTTING FORCE

Delivers 30 tons of cutting force, ensuring efficient and precise cuts for industrial applications



HYDRAULIC COMPATIBILITY

Powered by a single-acting hydraulic pump for reliable performance



Output Force

30T

Thickness Capacity

12mm

Cutting Width Capacity

200mm

SCOPE OF DELIVERY

Steel Case



G9683

SPECIFICATION

Output Force	30t
Rated Pressure	700bar
Max Thickness	12mm
Max Cutting Width	200mm
Net Weight	35kg
Dimensions	31 x 20 x 42 cm
Packing	Steel Case
Packing Size	38 x 27 x 46 cm

G9684 BUSBAR CUTTING TOOL



HIGH CUTTING FORCE

Delivers 40 tons of cutting force, ensuring efficient and precise cuts for industrial applications



HYDRAULIC COMPATIBILITY

Powered by a single-acting hydraulic pump for reliable performance



Output Force

40T

Thickness Capacity

16mm

Cutting Width Capacity

200mm

SCOPE OF DELIVERY

Steel Case



G9684

SPECIFICATION

Output Force	40t
Rated Pressure	700bar
Max Thickness	16mm
Max Cutting Width	200mm
Net Weight	36.5kg
Dimensions	33 x 20 x 45 cm
Packing	Steel Case
Packing Size	50 x 32 x 46 cm

G9686 BUSBAR PUNCHING TOOL



HIGH PUNCHING FORCE

Delivers an impressive 31 tons of punching force, ensuring precision and efficiency in heavy-duty applications.



HYDRAULIC COMPATIBILITY

Designed to work seamlessly with G9645, G9645-II, and G9635 hydraulic pumps



Output Force
31T

Punching Thickness Capacity
13mm

SCOPE OF DELIVERY



SPECIFICATION

Punching Force	31t
Rated Pressure	700bar
Max Thickness	Cu/Al 13mm / Plain Steel 10mm
Punching Dies Includes	Ø8, 10.5, 13.5, 17.5, 20.5mm
Net Weight	13.5kg
Dimensions	25 x 10 x 37 cm
Packing	Plastic Case

G9688 BUSBAR PUNCHING TOOL



HIGH PUNCHING FORCE

Delivers an impressive 60 tons of punching force, ensuring precision and efficiency in heavy-duty applications



HYDRAULIC COMPATIBILITY

Designed to work seamlessly with G9645, G9645-II, and G9635 hydraulic pumps



Output Force
60T

Punching Thickness Capacity
13mm

SCOPE OF DELIVERY



Steel Case

GAZELLE
G9688

G9688

Dies – Ø16 - 24 mm

SPECIFICATION

Punching Force	60t
Rated Pressure	700bar
Max Thickness	Cu/Al 13mm / Plain Steel 10mm
Punching Dies Includes	Ø16, 18, 22, 24mm
Net Weight	34kg
Packing	Steel Case

G9685 MANUAL HYDRAULIC PUNCHING



HIGH PUNCHING FORCE

Delivers 9 tons of output force, ensuring efficient and precise punching for industrial applications



ROBUST PUNCHING CAPACITY

Handles plain sheet steel up to 3.2 mm and stainless steel sheets up to 1.6 mm



Output Force

9T

Punching Capacity

3.2mm

SCOPE OF DELIVERY



SPECIFICATION

Output Force	9t
Rated Pressure	700bar
Punching Capacity	
Plain Sheet Steel	3.2 mm
Stainless Sheet Steel	1.6 mm
Standard Dies	6 Set - 1/2", 3/4", 1", 1 1/4", 1 1/2", 2"

G9685-MM MANUAL HYDRAULIC PUNCHING



HIGH PUNCHING FORCE

Delivers 9 tons of output force, ensuring efficient and precise punching for industrial applications



ROBUST PUNCHING CAPACITY

Handles plain sheet steel up to 3.2 mm and stainless steel sheets up to 1.6 mm



Output Force

9T

Punching Capacity

3.2mm

SCOPE OF DELIVERY



SPECIFICATION

Output Force	9t
Rated Pressure	700bar
Punching Capacity	
Plain Sheet Steel	3.2 mm
Stainless Sheet Steel	1.6 mm
Standard Dies	6 Set - 20mm, 25mm, 32mm, 40mm, 50mm, 63mm

TERMINAL CRIMPER

G80401

SLEEVE TERMINAL CRIMPER

SPECIFICATION

Crimping Capacity 0.25-6 mm²

FOR BOOT LUGS



G80402

NON-PREINSULATED TERMINAL CRIMPER

SPECIFICATION

Crimping Capacity 0.5-1 / 1-2.5 / 4-6 mm²

FOR NON-PREINSULATED LUGS



G80403

PRE-INSULATED TERMINAL CRIMPER

SPECIFICATION

Crimping Capacity 1-6 mm²

FOR PRE-INSULATED LUGS



G9621 MANUAL HYDRAULIC CRIMPING TOOL



HIGH CRIMPING FORCE

Delivers 6 tons of crimping power for reliable performance



WIDE CRIMPING CAPACITY

Handles cables up to 300 mm², suitable for various applications



Note: Tools come with standard dies designed for common copper lugs. Aluminum dies for aluminum and bi-metallic lugs can be purchased separately

Output Force

6T

Crimping Capacity

300mm²

SCOPE OF DELIVERY



SPECIFICATION

Crimping Force	6t
Rated Pressure	700bar
Stroke	17mm
Crimping Capacity	Max Cu300mm ²
Standard Dies	Cu50 - 300mm ²
Net Weight	3.8kg
Dimensions	50 x 17 x 7 cm
Packing Size	67 x 30 x 12 cm

G9622 MANUAL HYDRAULIC CRIMPING TOOL



HIGH CRIMPING FORCE

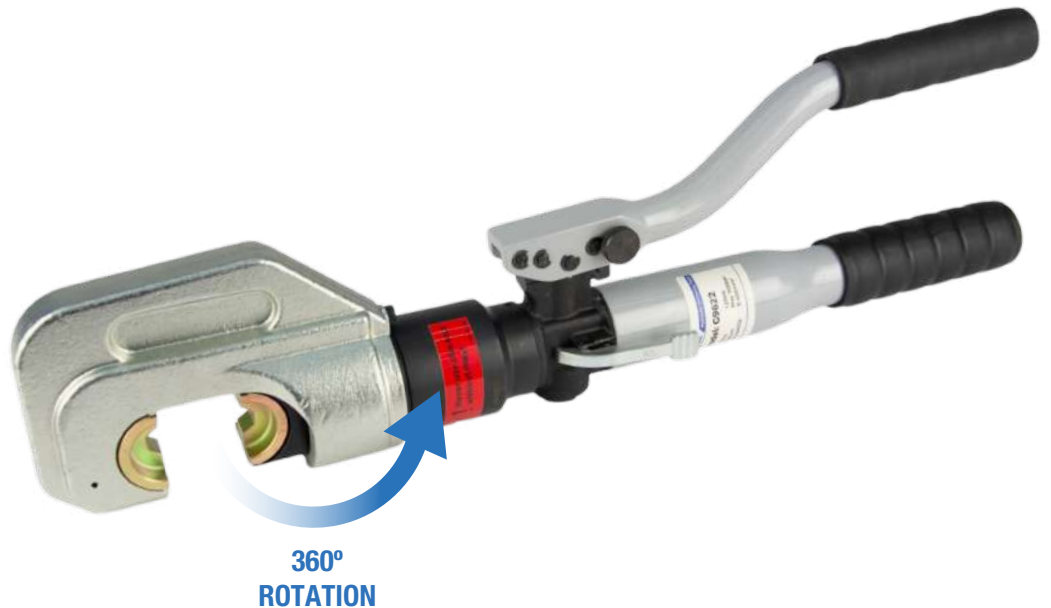
Delivers 12 tons of power for heavy-duty applications



WIDE CRIMPING CAPACITY

Supports cables up to 400 mm², accommodating diverse industrial needs

Note: Tools come with standard dies designed for common copper lugs. Aluminum dies for aluminum and bi-metallic lugs can be purchased separately



360°
ROTATION

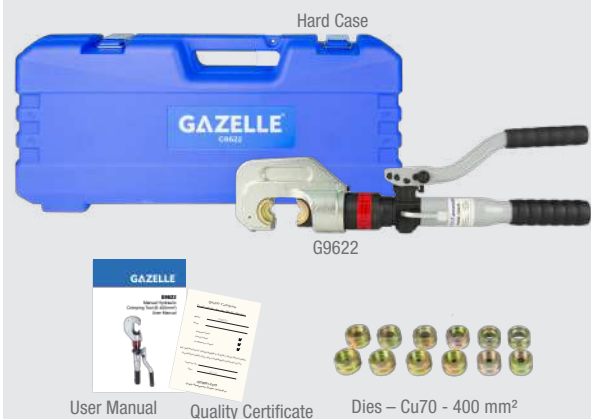
Output Force

12T

Crimping Capacity

400mm²

SCOPE OF DELIVERY



Hard Case

GAZELLE
CRIMP

G9622

GAZELLE

User Manual

Quality Certificate

Dies – Cu70 - 400 mm²

SPECIFICATION

Crimping Force	12t
Rated Pressure	700bar
Stroke	42mm
Crimping Capacity	Max Cu400mm ²
Standard Dies	Cu70 - 400mm ²
Net Weight	6.1kg
Dimensions	56 x 17 x 7 cm
Packing Size	67 x 30 x 12 cm

G9631

BATTERY POWERED HYDRAULIC CRIMPING TOOL



HIGH CRIMPING FORCE

Delivers 3.5 tons of output force, ensuring efficient and precise cutting for industrial applications



DIGITAL COUNTER

Displaying error alerts when faults are detected and recording the number of crimping cycles to support accurate, usage-based maintenance scheduling and battery life monitoring

Note: Tools come with standard dies designed for common copper lugs. Aluminum dies for aluminum and bi-metallic lugs can be purchased separately



Crimping Force
3.5T

Crimping Capacity
150mm²

SCOPE OF DELIVERY



SPECIFICATION

Crimping Force	3.5t
Stroke	10mm
Crimping Capacity	Max Cu250mm ²
Oil Reservoir	50ml
Standard Dies	Cu10 - 150mm ²
Net Weight	2.2kg
Packing	Plastic Case
Packing Size	59 x 51 x 14 cm

G9632 BATTERY POWERED HYDRAULIC CRIMPING TOOL



HIGH CRIMPING FORCE

Delivers 6 tons of crimping power for reliable and consistent performance



DIGITAL COUNTER

Displaying error alerts when faults are detected and recording the number of crimping cycles to support accurate, usage-based maintenance scheduling and battery life monitoring

Note: Tools come with standard dies designed for common copper lugs. Aluminum dies for aluminum and bi-metallic lugs can be purchased separately



Crimping Force

6T

Crimping Capacity

300mm²

SCOPE OF DELIVERY



SPECIFICATION

Crimping Force	6t
Stroke	17mm
Crimping Capacity	Max Cu300mm ² / Al250mm ²
Oil Reservoir	50ml
Standard Dies	Cu16 - 300mm ²
Net Weight	2.91kg
Packing	Plastic Case
Packing Size	59 x 51 x 14 cm

G9633

BATTERY POWERED HYDRAULIC CRIMPING TOOL



WIDE CRIMPING CAPACITY

Supports cables up to 300 mm², suitable for various industrial applications



DIGITAL COUNTER

Displaying error alerts when faults are detected and recording the number of crimping cycles to support accurate, usage-based maintenance scheduling and battery life monitoring



360°
ROTATION

Note: Tools come with standard dies designed for common copper lugs. Aluminum dies for aluminum and bi-metallic lugs can be purchased separately

Crimping Force

6T

Crimping Capacity

300mm²

SCOPE OF DELIVERY



SPECIFICATION

Crimping Force	6t
Rated Pressure	700bar
Stroke	17mm
Crimping Capacity	Max Cu300mm ²
Standard Dies	Cu50 - 300mm ²
Net Weight	4.2kg
Dimensions	28 x 7 x 29 cm
Packing Size	59 x 51 x 14 cm

G9633UNV BATTERY POWERED HYDRAULIC 3-IN-1 TOOL



3-IN-1 FUNCTIONALITY

Combines crimping, cutting, and punching capabilities in a single tool for versatile applications

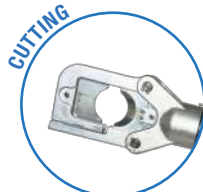
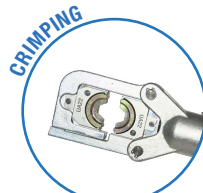


DIGITAL COUNTER

Displaying error alerts when faults are detected and recording the number of cutting cycles to support accurate usage-based maintenance scheduling and battery life monitoring



Note: Tools come with standard dies designed for common copper lugs. Aluminum dies for aluminum and bi-metallic lugs can be purchased separately



Punching Thickness Capacity

3.5mm

Crimping Capacity

300mm²

Cutting Capacity

∅105mm



SCOPE OF DELIVERY



SPECIFICATION

Output Force	6t
Rated Pressure	700bar
Crimping Capacity	Max: 300mm ²
Punching Capacity	
Plain Steel	3.5mm thick, ∅64mm
Stainless Steel	2.5mm thick, ∅64mm
Cutting Capacity	Max 40mm Cu/Al/ACSR
Standard Dies	Cu50-300mm ²
Dimensions	43 x 8 x 28 cm
Packing	Plastic Case
Packing Size	59 x 51 x 14 cm

G9634-N BATTERY POWERED HYDRAULIC CRIMPING TOOL



HIGH CRIMPING FORCE

Delivers 12 tons of power for heavy-duty applications



DIGITAL COUNTER

Displaying error alerts when faults are detected and recording the number of crimping cycles to support accurate, usage-based maintenance scheduling and battery life monitoring



360°
ROTATION

Note: Tools come with standard dies designed for common copper lugs. Aluminum dies for aluminum and bi-metallic lugs can be purchased separately

Crimping Force

12T

Crimping Capacity

400mm²

SCOPE OF DELIVERY



SPECIFICATION

Crimping Force	12t
Rated Pressure	700bar
Stroke	42mm
Crimping Capacity	Max Cu400mm ²
Standard Dies	Cu50 - 400mm ²
Net Weight	6.8kg
Dimensions	44 x 7 x 28 cm
Packing Size	59 x 51 x 14 cm

G9634-6

BATTERY POWERED HYDRAULIC CRIMPING TOOL



HIGH CRIMPING FORCE

Delivers 15 tons of power for heavy-duty applications



DIGITAL COUNTER

Displaying error alerts when faults are detected and recording the number of crimping cycles to support accurate, usage-based maintenance scheduling and battery life monitoring



360°
ROTATION

Note: Tools come with standard dies designed for common copper lugs. Aluminum dies for aluminum and bi-metallic lugs can be purchased separately

Crimping Force

15T

Crimping Capacity

630mm²

SCOPE OF DELIVERY

Hard Case



Battery Charger

User Manual

Quality Certificate

2 X 4.0 Ah Battery Pack

Dies – Cu50 - 630 mm²

SPECIFICATION

Crimping Force	15t
Rated Pressure	700bar
Stroke	50mm
Crimping Capacity	Max Cu630mm ²
Standard Dies	Cu50 - 630mm ²
Net Weight	9.5kg
Dimensions	51 x 8 x 28 cm

G9630 Series HYDRAULIC CABLE CRIMPING HEAD

G9636

SCOPE OF DELIVERY



SPECIFICATION

Crimping Force	25t
Rated Pressure	700bar
Stroke	20mm
Crimping Capacity	630mm ²
Net Weight	5.5kg
Packing	Canvas Bag

HYDRAULIC CRIMPING HEAD

Note: Tools come with standard dies designed for common copper lugs. Aluminum dies for aluminum and bi-metallic lugs can be purchased separately



Crimping Force

25T

Crimping Capacity

630mm²

G9636-II

SCOPE OF DELIVERY



SPECIFICATION

Crimping Force	12t
Rated Pressure	700bar
Stroke	42mm
Crimping Capacity	400mm ²
Net Weight	5.5kg
Packing	Canvas Bag

HYDRAULIC CRIMPING HEAD

Note: Tools come with standard dies designed for common copper lugs. Aluminum dies for aluminum and bi-metallic lugs can be purchased separately



Crimping Force

12T

Crimping Capacity

400mm²

G9630 Series HYDRAULIC CABLE CRIMPING HEAD

G9639

HYDRAULIC CRIMPING HEAD PUMP

SCOPE OF DELIVERY



SPECIFICATION

Crimping Force	200t
Stroke	40mm
Crimping Capacity	Max 2500mm ²
Weight	85kg

Note: Compatible for G9637 or G9638. Crimping dies can be purchased separately from up to max of 2500 mm²



Crimping Force
200T
Crimping Capacity
2500mm²

G9630 Series CRIMPING DIES

G9630

CUSTOMIZABLE CRIMPING DIES

SCOPE OF DELIVERY



SPECIFICATION

Crimping Force	200t
Crimping Capacity	800mm ² - 2500mm ² (Customizable)

Note: Compatible for G9639 Crimping Head



Crimping Force
200T
Crimping Capacity
2500mm²

G9674 HYDRAULIC BEARING PULLER



HIGH PULLING FORCE

Delivers 30 tons of pulling force, ensuring efficient removal of bearings and other press-fitted components



ENHANCED LOAD CAPACITY

Claw load exceeds 120% of the rated load, ensuring reliable performance under heavy-duty conditions



Output Force

30T

Claw Depth

435mm

SCOPE OF DELIVERY

Steel Case



G9674

SPECIFICATION

Force	30t
Stroke	111mm
Pressure Area	42cm ²
Claw Depth	435mm
Claw Distance	550mm
Top	B
	C
	D
Claw End	A1
	B1
	C1
Weight	38kg

G9673 HYDRAULIC BEARING PULLER



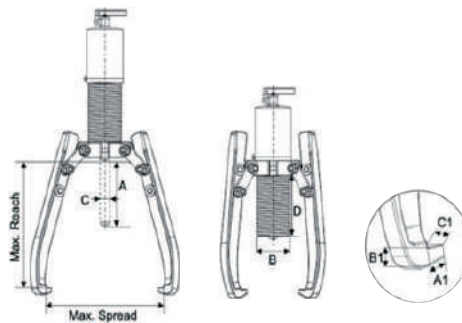
HIGH PULLING FORCE

Delivers 12 tons of pulling force, ensuring efficient removal of bearings and other press-fitted components



ENHANCED LOAD CAPACITY

Claw load exceeds 120% of the rated load, ensuring reliable performance under heavy-duty conditions



Output Force

12T

Claw Depth

260mm

SCOPE OF DELIVERY

Hard Case



G9673

SPECIFICATION

Force	12t
Stroke	85mm
Pressure Area	14.45cm ²
Claw Depth	260mm
Claw Distance	375mm
Top	B
	C
	D
Claw End	A1
	B1
	C1
Weight	9.5kg

G9671

HYDRAULIC BEARING PULLER WITH INTEGRATED PUMP



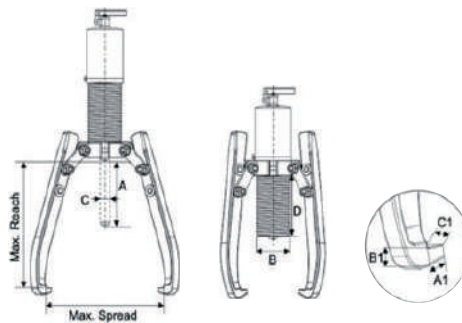
HIGH PULLING FORCE

Delivers 12 tons of pulling force, ensuring efficient removal of bearings and other press-fitted components



ENHANCED LOAD CAPACITY

Claw load exceeds 120% of the rated load, ensuring reliable performance under heavy-duty conditions



Output Force

12T

Claw Depth

260mm

SCOPE OF DELIVERY



SPECIFICATION

Force	12t
Stroke	85mm
Pressure Area	14.45cm ²
Claw Depth	260mm
Claw Distance	375mm
Top	B
	C
	D
Claw End	A1
	B1
	C1
Weight	9.5kg

G9672

HYDRAULIC BEARING PULLER WITH INTEGRATED PUMP



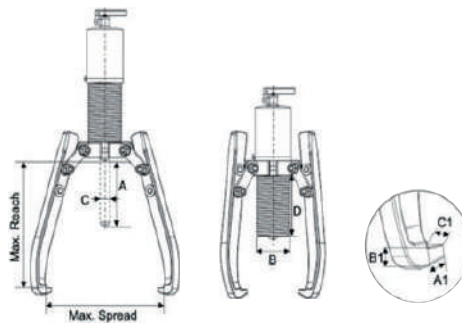
HIGH PULLING FORCE

Delivers an impressive 30 tons of pulling force, making it suitable for heavy-duty industrial applications



ENHANCED LOAD CAPACITY

Claw load exceeds 120% of the rated load, ensuring reliable performance under heavy-duty conditions



Output Force

30T

Claw Depth

435mm

SCOPE OF DELIVERY



SPECIFICATION

Force	30t
Stroke	111mm
Pressure Area	42cm ²
Claw Depth	435mm
Claw Distance	550mm
Top	B
	C
	D
Claw End	A1
	B1
	C1
Weight	36kg

G9645 HYDRAULIC FOOT PUMP



SINGLE FOOT-OPERATED PRESSURE RELIEF

Enables easy piston return after automatic stop on crimping completion heavy-duty applications



COMPACT HOSE STORAGE

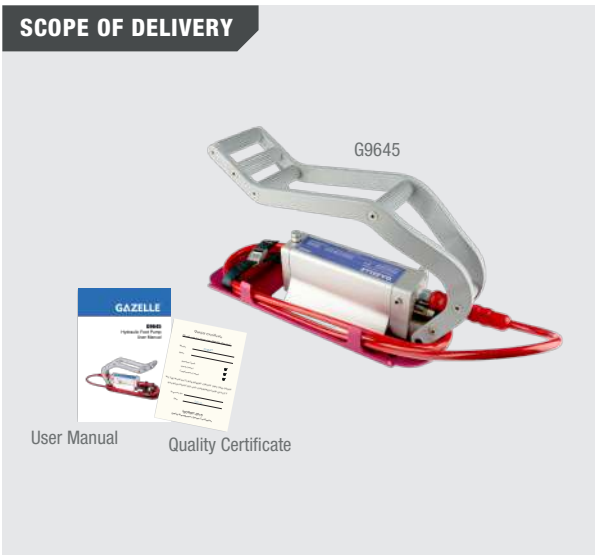
Keeps the hose neatly stored when not in use



Rated Pressure

700bar

SCOPE OF DELIVERY



SPECIFICATION

Rated Pressure	700bar
Pump Weight	8.8kg
Transportation Box Weight	4.5kg
Pump Dimensions (Hose Not Included)	560 x 180 x 205 mm
Transportation Box Dimensions	720 x 200 x 300 mm

G9645-II HYDRAULIC HAND PUMP



HIGH PRESSURE PERFORMANCE

Operates at a rated pressure of 700 bar, delivering reliable and powerful hydraulic performance



VERSATILE COMPATIBILITY

Designed to work seamlessly with a variety of hydraulic tools for industrial applications



Pump Weight

5kg

Rated Pressure

700bar

SCOPE OF DELIVERY



SPECIFICATION

Rated Pressure	700bar
Pump Weight	5kg
Transportation Box Weight	1.2kg
Pump Dimensions (Hose not Included)	61 x 13 x 17 cm
Transportation Box Dimensions	74 x 20 x 21 cm

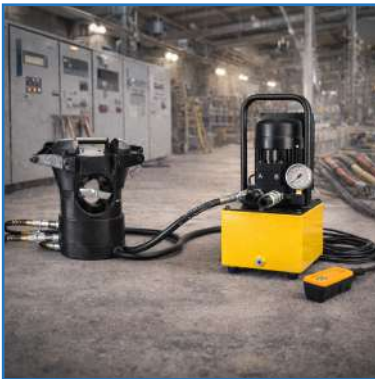
G9637

ELECTRIC POWERED DOUBLE ACTION HYDRAULIC PUMP



HIGH PRESSURE PERFORMANCE

Operates at a rated pressure of 700 bar, delivering reliable and powerful hydraulic performance



DOUBLE ACTION MECHANISM

Ensures efficient and smooth operation for demanding industrial applications



Output Force
200T

Rated Pressure
700bar

SCOPE OF DELIVERY



SPECIFICATION

Crimping Force	200t
Rated Pressure	700bar
Stroke	40mm
Standard Dies	Customized per Requirement
Net Weight	25kg
Dimensions	40 x 23 x 45 cm
Packing Size	50 x 32 x 46 cm

G9638

PETROL POWERED DOUBLE ACTION HYDRAULIC PUMP



HIGH PRESSURE PERFORMANCE

Operates at a rated pressure of 700 bar, delivering reliable and powerful hydraulic performance



DOUBLE ACTION MECHANISM

Ensures efficient and smooth operation for demanding industrial applications



Output Force
200T

Rated Pressure
700bar

SCOPE OF DELIVERY



SPECIFICATION

Crimping Force	200t
Rated Pressure	700bar
Stroke	40mm
Standard Dies	Customized per Requirement
Net Weight	50kg
Dimensions	40 x 23 x 45 cm
Packing Size	50 x 32 x 46 cm

G9635 CORDLESS HYDRAULIC PUMP



HIGH PRESSURE PERFORMANCE

Operates at a rated pressure of 700 bar, delivering reliable and powerful hydraulic performance



DIGITAL COUNTER

Displaying error alerts when faults are detected and recording the number of crimping cycles to support accurate, usage-based maintenance scheduling and battery life monitoring



Tank Capacity

0.7L

Rated Pressure

700bar

SCOPE OF DELIVERY



SPECIFICATION

Rated Pressure	700bar
Oil Output at High Pressure (20 - 700bar)	
2 Batteries	0.2L/min
1 Battery	0.1L/min
Oil Output at Low Pressure (0 - 20bar)	
2 Batteries	1.3L/min
1 Battery	0.65L/min
Tank Capacity	0.7L
Working Noise	83dB(A)
Battery Type	Lithium Battery
Battery Voltage	18V DC
Output Current	4.0Ah
Charging Time	40 min
Weight	7.5kg

G9690 Series CORDLESS ACCESSORIES

G9691

18V BATTERY CHARGER

SPECIFICATION

Input	100-240V, 80W, 50-60Hz
Output Voltage	18V



G9692

2.0AH LI-ION BATTERY

SPECIFICATION

Battery Voltage	18V
Battery Capacity	2.0Ah



G9694

4.0AH LI-ION BATTERY

SPECIFICATION

Battery Voltage	18V
Battery Capacity	4.0Ah



G9910-3T HYDRAULIC CABLE DRUM STAND



QUICK ADJUSTMENT

Precision adjustment of drum diameter and height enables fast setup across various reel sizes, reducing change-over time



HYDRAULIC SAFETY

Hydraulic lifting provides smoother, more controlled operation than manual methods, enhancing site safety and reducing injury risk



Max Height

1.1m

Rated Load

3 Ton

SCOPE OF DELIVERY



SPECIFICATION

Max Axis Height	1.1m
Rated Load	3 Ton
Weight	50kg

G9910-5T HYDRAULIC CABLE DRUM STAND



QUICK ADJUSTMENT

Precision adjustment of drum diameter and height enables fast setup across various reel sizes, reducing change-over time



HYDRAULIC SAFETY

Hydraulic lifting provides smoother, more controlled operation than manual methods, enhancing site safety and reducing injury risk



Max Height

1.3m

Rated Load

5 Ton

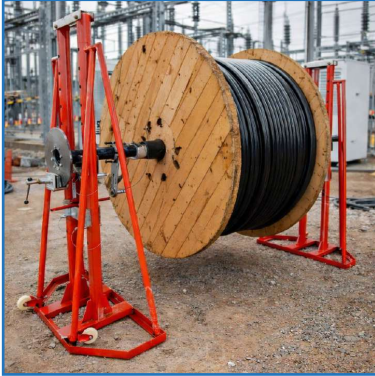
SCOPE OF DELIVERY



SPECIFICATION

Max Axis Height	1.3m
Rated Load	5 Ton
Weight	60kg

G9912-5T HYDRAULIC CABLE DRUM STAND WITH BRAKE



HYDRAULIC LIFTING

Utilizes hydraulic lifting and latch technology for smooth, controlled drum handling



BRAKE SYSTEM

Equipped with a disk brake system that prevents the cable drum from rotating during shutdown



Max Height

1.5m

Rated Load

5 Ton

SCOPE OF DELIVERY



SPECIFICATION

Max Axis Height	1.5m
Rated Load	5 Ton
Weight	220kg

G9912-10T HYDRAULIC CABLE DRUM STAND WITH BRAKE



HYDRAULIC LIFTING

Utilizes hydraulic lifting and latch technology for smooth, controlled drum handling



BRAKE SYSTEM

Equipped with a disk brake system that prevents the cable drum from rotating during shutdown



Max Height

1.7m

Rated Load

10 Ton

SCOPE OF DELIVERY



SPECIFICATION

Max Axis Height	1.7m
Rated Load	10 Ton
Weight	310kg

G9912-15T HYDRAULIC CABLE DRUM STAND WITH BRAKE



HYDRAULIC LIFTING

Utilizes hydraulic lifting and latch technology for smooth, controlled drum handling



BRAKE SYSTEM

Equipped with a disk brake system that prevents the cable drum from rotating during shutdown



Max Height

1.8m

Rated Load

15 Ton

SCOPE OF DELIVERY



SPECIFICATION

Max Axis Height	1.8m
Rated Load	15 Ton
Weight	310kg