

# GAZELLE<sup>®</sup>

## **G9706**

### Handheld Thermography Camera Quick Start Guide

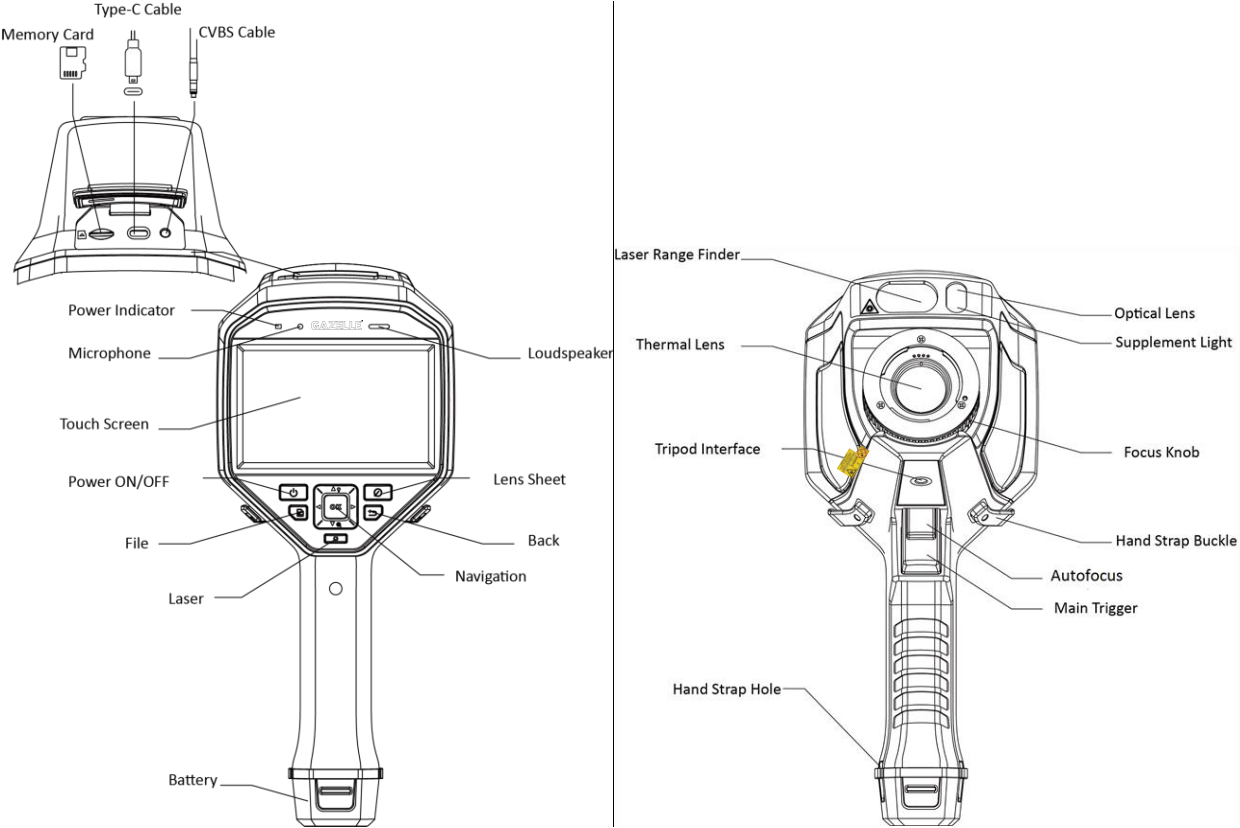


Handheld Thermography Camera Quick Start Guide	<b>English</b>	1
Kurzanleitung für tragbare Wärmebildkamera	<b>Deutsch</b>	7
Guide de démarrage rapide de la caméra thermographique portable	<b>Français</b>	14
Guía de inicio rápido de la cámara de análisis térmico portátil	<b>Español</b>	21
Guia de início rápido da Câmara termográfica portátil	<b>Português</b>	28
Guida rapida all'uso della termocamera portatile	<b>Italiano</b>	35
Ruční termokamera – stručná příručka	<b>Čeština</b>	41
Stručná úvodná príručka k ručnej termografickej kamere	<b>Slovenčina</b>	47
Skrócony podręcznik użytkownika ręcznej kamery termowizyjnej	<b>Polski</b>	53
Kézi hőkamera rövid útmutatója	<b>Magyar</b>	59
Ghid de pornire rapidă a camerei termografice portabile	<b>Română</b>	66
Beknopte handleiding voor draagbare thermografische camera's	<b>Nederlands</b>	72
Håndholdt termografikamera Startvejledning	<b>Dansk</b>	78
Hurtigstartguide for håndholdt termografisk kamera	<b>Norsk</b>	84
Kannettavan lämpökameran pika-aloitusopas	<b>Suomi</b>	90
Snabbstartsguide för handburen värmekamera	<b>Svenska</b>	96
Портативная термографическая камера. Руководство по быстрой настройке	<b>Русский</b>	102
El Tipi Termografi Kamerası Hızlı Başlangıç Kılavuzu	<b>Türkçe</b>	109
ハンドヘルドサーモグラフィカメラ クイックスタートガイド	<b>日本語</b>	115
휴대용 열화상 카메라 빠른 시작 가이드	<b>한국어</b>	123
手持式熱成像攝影機快速入門指南	<b>繁體中文</b>	130

### 1. Brief Description

The Handheld Thermography Camera is a camera with both optical images and thermal images. It can do thermography, distance measurement, video recording, snapshot capturing, alarm, etc. The built-in high-sensitivity IR detector and high-performance sensor detects the temperature change and measure the real-time temperature. The temperature measurement range is -20 °C to 650 °C (-4 °F to 1202 °F) with the accuracy of ± 2 °C (± 3.6 °F) or 2%. It helps the users to find the risky part and lower their property loss. The device supports view live view, capture, and recording on your phone.

### 2. Appearance



**Note:** The warning sign is under the laser and on the left of the device.

Component	Function
Navigation Button	Menu Mode: <ul style="list-style-type: none"> <li>● Press ▽, △, ▷, and ◁ to select parameters.</li> <li>● Press <b>OK</b> to confirm.</li> </ul>
	Non-Menu Mode: <ul style="list-style-type: none"> <li>● Press △ to turn on/off the LED light supplement.</li> <li>● Press ▽ to start digital zoom.</li> </ul>
Laser Button	Hold the button to turn on laser, and release the button to turn off laser.
Lens Sheet Button	Cover the lens to perform the correction.
Back Button	Exit the menu or return to previous menu.
Focus Knob	Adjust lens focal length.

Component	Function
Trigger	Pull the trigger to capture or scan the QR code. Hold the trigger to record videos.
Autofocus	Pull the trigger to turn on/ off autofocus function.
Cable Interface	Charge the device or export files with supplied cable.

### 3. Charge Device

After the device starts up, the OSD (on-screen display) shows the battery status. When the battery is low, charge the device and ensure it works properly.

For the first charge, charge the device for 10 hours when the device is turned on.

**Note:**

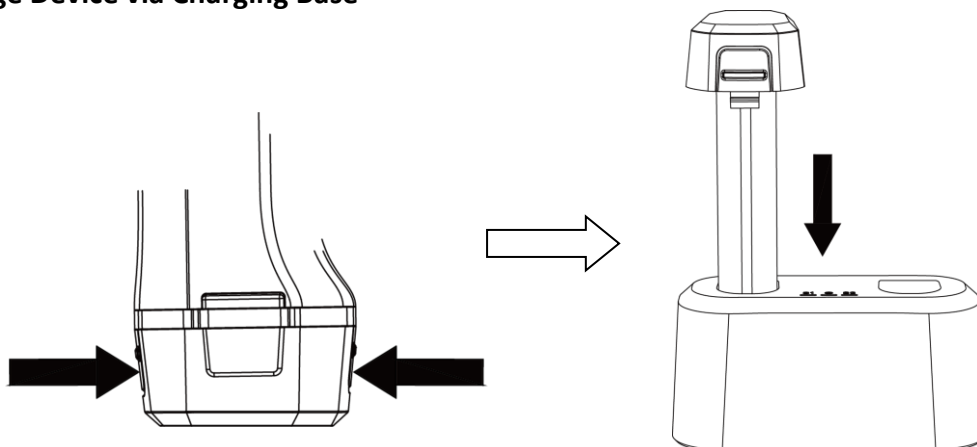
- The built-in cell battery that powers the real time clock (RTC) of the device may drain during longtime transportation or storage. It is recommended to recharge the RTC battery for the wellfunctioning of the device clock.
- To fully charge the RTC battery, the following requirements should be met:
  - a) The rechargeable lithium batteries should be installed on the device.
  - b) The device should keep working for more than 10 hours before shutting down.

#### 3.1 Charge Device via Cable Interface

**Steps**

1. Lift the cover of interface.
2. Plug in the cable, and charge the device.

#### 3.2 Charge Device via Charging Base



**Steps:**

1. Hold the device, and press both battery lock catches of the device.
2. Hold the lock catches, and draw the battery base to take out the battery.
3. Insert the battery into the charging base. You can see the charging status via the pilot lamp on the charging base.
4. When the battery is fully charged, draw the battery from the charging base.
5. Insert battery into the device.

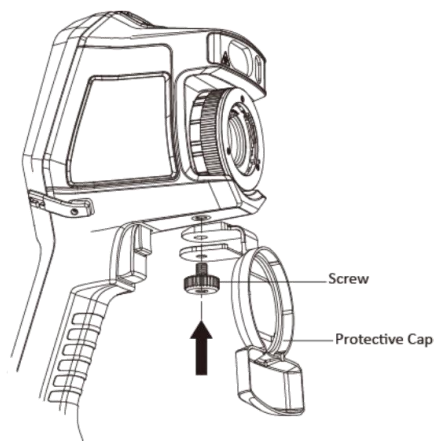
**Note:** Please charge the device with the cable and power adapter supplied by the manufacturer (or according to the input voltage from the specifications).

#### 4. Mount Protective Cover

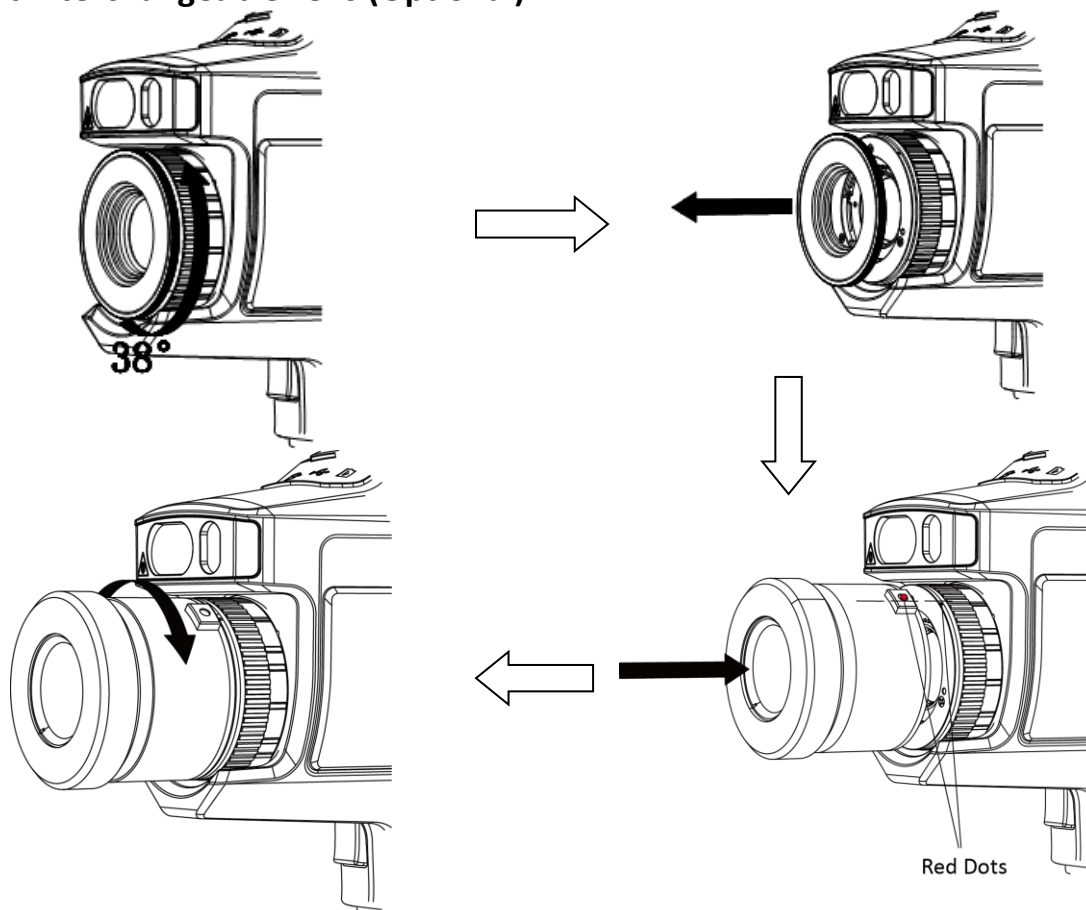
Attach the protective cover when the device is not in use.

##### Steps

1. Align the threaded hole of the device with the mounting hole of the lens cover.
2. Insert the screw, and rotate it clockwise to fix the lens cover.



#### 5. Mount Interchangeable Lens (Optional)



##### Steps

1. Turn the decorative ring 38° anticlockwise.
2. Remove the decorative ring.
3. Align the two red spots on the interchangeable lens and the device, and then rotate the interchangeable lens clockwise to finish mounting.
4. Rotate the interchangeable lens clockwise to fix it.

## Legal Information

### About this Manual

The Manual includes instructions for using and managing the Product. Pictures, charts, images and all other information hereinafter are for description and explanation only. The information contained in the Manual is subject to change, without notice, due to firmware updates or other reasons. Please find the latest version of this Manual at the company website

Please use this Manual with the guidance and assistance of professionals trained in supporting the Product.

### Trademarks Acknowledgement

Trademarks and logos mentioned are the properties of their respective owners.

### LEGAL DISCLAIMER

TO THE MAXIMUM EXTENT PERMITTED BY APPLICABLE LAW, THIS MANUAL AND THE PRODUCT DESCRIBED, WITH ITS HARDWARE, SOFTWARE AND FIRMWARE, ARE PROVIDED "AS IS" AND "WITH ALL FAULTS AND ERRORS". OUR COMPANY MAKES NO WARRANTIES, EXPRESS OR IMPLIED, INCLUDING WITHOUT LIMITATION, MERCHANTABILITY, SATISFACTORY QUALITY, OR FITNESS FOR A PARTICULAR PURPOSE. THE USE OF THE PRODUCT BY YOU IS AT YOUR OWN RISK. IN NO EVENT WILL OUR COMPANY BE LIABLE TO YOU FOR ANY SPECIAL, CONSEQUENTIAL, INCIDENTAL, OR INDIRECT DAMAGES, INCLUDING, AMONG OTHERS, DAMAGES FOR LOSS OF BUSINESS PROFITS, BUSINESS INTERRUPTION, OR LOSS OF DATA, CORRUPTION OF SYSTEMS, OR LOSS OF DOCUMENTATION, WHETHER BASED ON BREACH OF CONTRACT, TORT (INCLUDING NEGLIGENCE), PRODUCT LIABILITY, OR OTHERWISE, IN CONNECTION WITH THE USE OF THE PRODUCT, EVEN IF OUR COMPANY HAS BEEN ADVISED OF THE POSSIBILITY OF SUCH DAMAGES OR LOSS.

YOU ACKNOWLEDGE THAT THE NATURE OF THE INTERNET PROVIDES FOR INHERENT SECURITY RISKS, AND OUR COMPANY SHALL NOT TAKE ANY RESPONSIBILITIES FOR ABNORMAL OPERATION, PRIVACY LEAKAGE OR OTHER DAMAGES RESULTING FROM CYBER-ATTACK, HACKER ATTACK, VIRUS INFECTION, OR OTHER INTERNET SECURITY RISKS; HOWEVER, OUR COMPANY WILL PROVIDE TIMELY TECHNICAL SUPPORT IF REQUIRED.

YOU AGREE TO USE THIS PRODUCT IN COMPLIANCE WITH ALL APPLICABLE LAWS, AND YOU ARE SOLELY RESPONSIBLE FOR ENSURING THAT YOUR USE CONFORMS TO THE APPLICABLE LAW. ESPECIALLY, YOU ARE RESPONSIBLE, FOR USING THIS PRODUCT IN A MANNER THAT DOES NOT INFRINGE ON THE RIGHTS OF THIRD PARTIES, INCLUDING WITHOUT LIMITATION, RIGHTS OF PUBLICITY, INTELLECTUAL PROPERTY RIGHTS, OR DATA PROTECTION AND OTHER PRIVACY RIGHTS. YOU SHALL NOT USE THIS PRODUCT FOR ANY PROHIBITED END-USES, INCLUDING THE DEVELOPMENT OR PRODUCTION OF WEAPONS OF MASS DESTRUCTION, THE DEVELOPMENT OR PRODUCTION OF CHEMICAL OR BIOLOGICAL WEAPONS, ANY ACTIVITIES IN THE CONTEXT RELATED TO ANY NUCLEAR EXPLOSIVE OR UNSAFE NUCLEAR FUEL-CYCLE, OR IN SUPPORT OF HUMAN RIGHTS ABUSES.

IN THE EVENT OF ANY CONFLICTS BETWEEN THIS MANUAL AND THE APPLICABLE LAW, THE LATTER PREVAILS.

## Regulatory Information

### FCC Information

Please take attention that changes or modification not expressly approved by the party responsible for compliance could void the user's authority to operate the equipment.

FCC compliance: This equipment has been tested and found to comply with the limits for a Class B digital device, pursuant to part 15 of the FCC Rules. These limits are designed to provide reasonable protection against harmful interference in a residential installation. This equipment generates, uses and can radiate radio frequency energy and, if not installed and used in accordance with the instructions, may cause harmful interference to radio communications. However, there is no guarantee that interference will not occur in a particular installation. If this equipment does cause harmful interference to radio or television reception, which can be determined by turning the equipment off and on, the user is encouraged to try to correct the interference by one or more of the following measures:

- Reorient or relocate the receiving antenna.
- Increase the separation between the equipment and receiver.
- Connect the equipment into an outlet on a circuit different from that to which the receiver is connected.

—Consult the dealer or an experienced radio/TV technician for help

This equipment should be installed and operated with a minimum distance 20cm between the radiator and your body.

#### FCC Conditions

This device complies with part 15 of the FCC Rules. Operation is subject to the following two conditions:

1. This device may not cause harmful interference.
2. This device must accept any interference received, including interference that may cause undesired operation.

#### EU Conformity Statement



This product and - if applicable - the supplied accessories too are marked with "CE" and comply therefore with the applicable harmonized European standards listed under the EMC Directive 2014/30/EU, the RoHS Directive 2011/65/EU



2012/19/EU (WEEE directive): Products marked with this symbol cannot be disposed of as unsorted municipal waste in the European Union. For proper recycling, return this product to your local supplier upon the purchase of equivalent new equipment, or dispose of it at designated collection points. For more information see: [www.recyclethis.info](http://www.recyclethis.info).



2006/66/EC (battery directive): This product contains a battery that cannot be disposed of as unsorted municipal waste in the European Union. See the product documentation for specific battery information. The battery is marked with this symbol, which may include lettering to indicate cadmium (Cd), lead (Pb), or mercury (Hg). For proper recycling, return the battery to your supplier or to a designated collection point. For more information see: [www.recyclethis.info](http://www.recyclethis.info).

#### Industry Canada ICES-003 Compliance

This device meets the CAN ICES-3 (B)/NMB-3(B) standards requirements.

This device complies with Industry Canada licence-exempt RSS standard(s). Operation is subject to the following two conditions:

- (1) this device may not cause interference, and
- (2) this device must accept any interference, including interference that may cause undesired operation of the device.

Le présent appareil est conforme aux CNR d'Industrie Canada applicables aux appareils radioexempts de licence.

L'exploitation est autorisée aux deux conditions suivantes :

- (1) l'appareil ne doit pas produire de brouillage, et
- (2) l'utilisateur de l'appareil doit accepter tout brouillage radioélectrique subi, même si le brouillage est susceptible d'en compromettre le fonctionnement.

Under Industry Canada regulations, this radio transmitter may only operate using an antenna of a type and maximum (or lesser) gain approved for the transmitter by Industry Canada. To reduce potential radio interference to other users, the antenna type and its gain should be so chosen that the equivalent isotropically radiated power (e.i.r.p.) is not more than that necessary for successful communication.

Conformément à la réglementation d'Industrie Canada, le présent émetteur radio peut fonctionner avec une antenne d'un type et d'un gain maximal (ou inférieur) approuvé pour l'émetteur par Industrie Canada. Dans le but de réduire les risques de brouillage radioélectrique à l'intention des autres utilisateurs, il faut choisir le type d'antenne et son gain de sorte que la puissance isotrope rayonnée équivalente (p.i.r.e.) ne dépasse pas l'intensité nécessaire à l'établissement d'une communication satisfaisante.

This equipment should be installed and operated with a minimum distance 20cm between the radiator and your body.

Cet équipement doit être installé et utilisé à une distance minimale de 20 cm entre le radiateur et votre corps.

## Safety Instruction

These instructions are intended to ensure that user can use the product correctly to avoid danger or property loss.

### Laws and Regulations

- Use of the product must be in strict compliance with the local electrical safety regulations.

### Transportation

- Keep the device in original or similar packaging while transporting it.
- Keep all wrappers after unpacking them for future use. In case of any failure occurred, you need to return the device to the factory with the original wrapper. Transportation without the original wrapper may result in damage on the device and the company shall not take any responsibilities.
- Do not drop the product or subject it to physical shock. Keep the device away from magnetic interference.

### Power Supply

- The input voltage should meet the Limited Power Source (5 VDC, 940 mA ) according to the IEC61010-1 standard. Please refer to technical specifications for detailed information.
- Make sure the plug is properly connected to the power socket.
- DO NOT connect multiple devices to one power adapter, to avoid over-heating or fire hazards caused by overload.

### Battery

- The built-in battery cannot be dismantled. Please contact the manufacture for repair if necessary.
- DO NOT charge other battery types with the supplied charger. Confirm there is no flammable material within 2 m of the charger during charging.
- For long-term storage of the battery, make sure it is fully charged every half year to ensure the battery quality. Otherwise, damage may occur.
- DO NOT place the battery near heating or fire source. Avoid direct sunlight.
- DO NOT swallow the battery to avoid chemical burns.
- DO NOT place the battery in the reach of children.
- When the device is powered off and the RTC battery is full, the time settings can be kept for 15 days.
- In the first use, power on the device and charge the RTC battery with the lithium battery for more than 10 hours.
- The battery voltage is 3.6 V, and the battery capacity is 6700 mAh.
- The battery is certified by UL2054.

### Maintenance

- If the product does not work properly, please contact your dealer or the nearest service center. We shall not assume any responsibility for problems caused by unauthorized repair or maintenance.
- A few device components (e.g., electrolytic capacitor) require regular replacement. The average lifespan varies, so periodic checking is recommended. Contact your dealer for details.
- Wipe the device gently with a clean cloth and a small quantity of ethanol, if necessary.
- If the equipment is used in a manner not specified by the manufacturer, the protection provided by the device may be impaired.
- We recommend you send the device back for calibration once a year, and please contact the local dealer for the information on maintenance points.
- Please notice that the current limit of USB 3.0 PowerShare port may vary with the PC brand, which is likely to result in incompatibility issue. Therefore it's advised to use regular USB 3.0 or USB 2.0 port if the USB device fails to be recognized by PC via USB 3.0 PowerShare port.



## Using Environment

- DO NOT expose the device to extremely hot, cold, dusty, corrosive, saline-alkali, or damp environments. Make sure the running environment meets the requirement of the device. The operating temperature shall be -20 °C to 50 °C (-4 °F to 122 °F), and the operating humidity shall be 90% or less.
- This device can only be safely used in the region below 2000 meters above the sea level.
- Place the device in a dry and well-ventilated environment.
- DO NOT expose the device to high electromagnetic radiation or dusty environments.
- DO NOT aim the lens at the sun or any other bright light.
- When any laser equipment is in use, make sure that the device lens is not exposed to the laser beam, or it may burn out.
- The device is suitable for indoor and outdoor uses, but do not expose it in wet conditions.
- The level of protection is IP 54.
- The pollution degree is 2.

## Emergency

- If smoke, odor, or noise arises from the device, immediately turn off the power, unplug the power cable, and contact the service center.

## Laser

Warning: The laser radiation emitted from the device can cause eye injuries, burning of skin or inflammable substances. Prevent eyes from direct laser. Before enabling the Light Supplement function, make sure no human or inflammable substances are in front of the laser lens. The wave length is 650 nm, and the power is less than 1 Mw. The laser meets the IEC60825-1:2014 standard.



Laser maintenance: It is not necessary to maintain the laser regularly. If the laser does not work, the laser assembly needs to be replaced in the factory under warranty. Keep the device power off when replacing laser assembly. Caution-Use of controls or adjustments or performance of procedures other than those specified herein may result in hazardous radiation exposure.

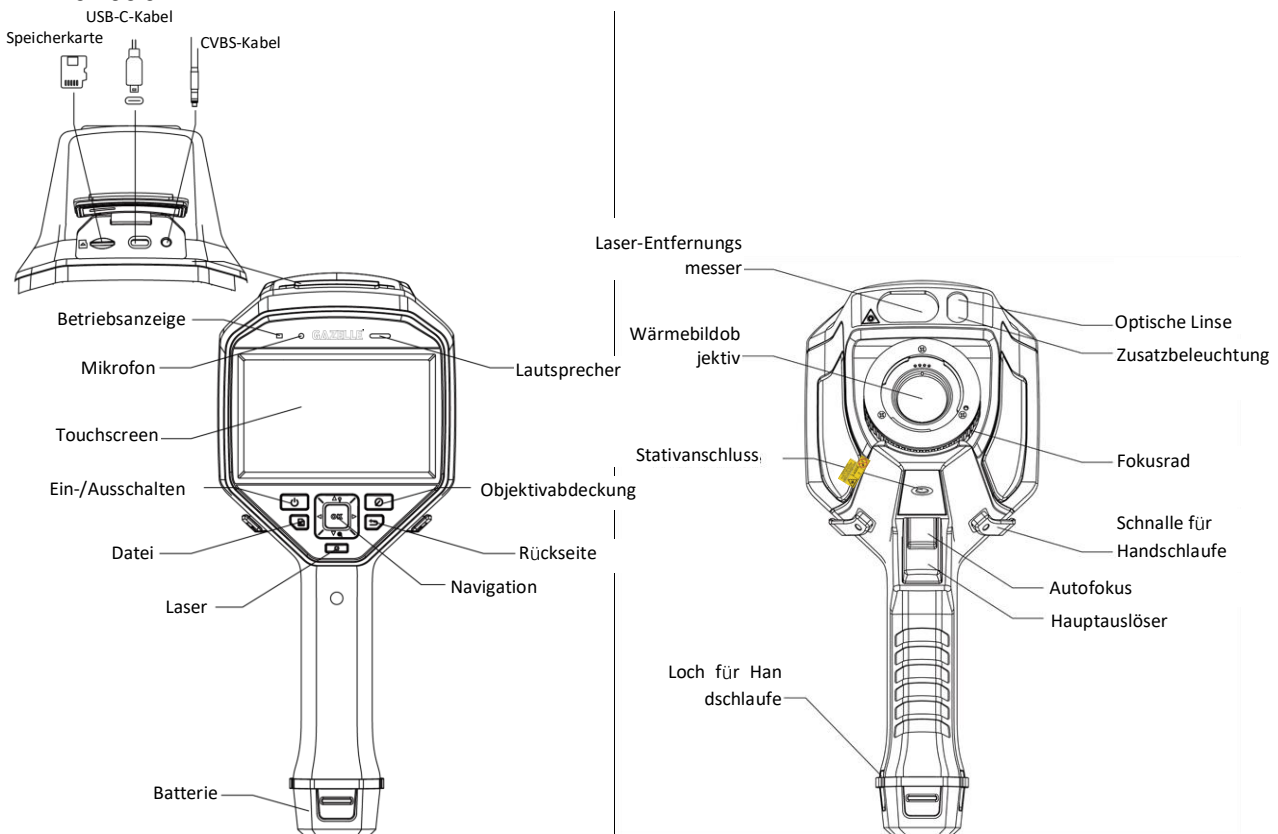
COMPLIANCE NOTICE: The thermal series products might be subject to export controls in various countries or regions, including without limitation, the United States, European Union, United Kingdom and/or other member countries of the Wassenaar Arrangement. Please consult your professional legal or compliance expert or local government authorities for any necessary export license requirements if you intend to transfer, export, re-export the thermal series products between different countries.

**Deutsch**

## 1. Kurze Beschreibung

Die handgeführte Wärmebildkamera liefert sowohl optische Bilder als auch Wärmebilder. Sie eignet sich zur Thermografie, Entfernungsmessung, Videoaufnahme, Fotoaufnahme, Alarmierung usw. Der integrierte hochempfindliche IR-Detektor und Hochleistungssensor erfasst Temperaturänderungen und misst die Temperatur in Echtzeit. Der Temperaturmessbereich beträgt -20 °C bis 650 °C mit einer Genauigkeit von ±2 °C oder 2 %. Mit ihr finden die Benutzer riskante Bereiche und können Vermögensschäden reduzieren. Das Gerät unterstützt Live-Ansicht, Aufnahme und Aufzeichnung auf Ihrem Handy.

## 2. Aufbau



**Hinweis:** Das Warnzeichen befindet sich unter dem Laser auf der linken Seite des Geräts.

Komponente	Funktion
Navigationstaste	Menümodus: <ul style="list-style-type: none"> <li>● Drücken Sie ▽, △, ▷ und ◁ zur Auswahl von Parametern.</li> <li>● Drücken Sie <b>OK</b> zur Bestätigung.</li> </ul>
	Nicht-Menümodus: <ul style="list-style-type: none"> <li>● Drücken Sie △, um das LED-Zusatzlicht ein- und auszuschalten.</li> <li>● Drücken Sie ▽, um den Digital-Zoom zu starten.</li> </ul>
Lasertaste	Halten Sie die Taste gedrückt, um den Laser einzuschalten und lassen Sie die Taste wieder los, um den Laser auszuschalten.
Objektivabdecktaste	Deckt das Objektiv ab, um die Korrektur durchzuführen.
Zurücktaste	Menü verlassen oder zum vorherigen Menü zurückkehren.
Fokusrad	Hier stellen Sie die Brennweite des Objektivs ein.
Auslöser	Ziehen Sie zum Erfassen oder um den QR-Code zu scannen den Auslöser. Halten Sie den Auslöser gedrückt, um Videos aufzunehmen.
Autofokus	Ziehen Sie den Auslöser, um die Autofokusfunktion ein/auszuschalten.
Kabelanschluss	Das Gerät kann über das mitgelieferte Kabel aufgeladen und Dateien können exportiert werden.

### 3. Gerät laden

Nachdem das Gerät hochgefahren ist, zeigt der Bildschirm den Akkustatus an. Wenn der Akku schwach ist, laden Sie das Gerät und vergewissern Sie sich, dass es ordnungsgemäß funktioniert.

Laden Sie das Gerät beim ersten Aufladen im eingeschalteten Zustand 10 Stunden lang auf.

**Hinweis:**

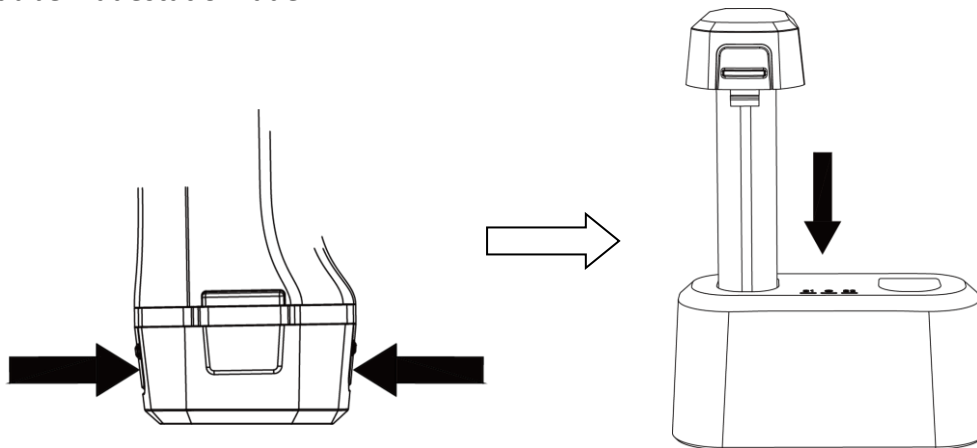
- Der integrierte Akku, der die Echtzeituhr (RTC) des Geräts mit Strom versorgt, kann sich bei längerem Transport oder Lagerung entladen. Wir empfehlen, den RTC-Akku aufzuladen, damit die Uhr des Geräts einwandfrei funktioniert.
- Um den RTC-Akku vollständig zu laden, müssen die nachstehenden Voraussetzungen erfüllt sein:
  - a) Der Lithium-Akku muss im Gerät installiert sein.
  - b) Das Gerät muss mehr als 10 Stunden in Betrieb sein, bevor es sich ausschaltet.

#### 3.1 Gerät über USB-Anschluss laden

**Schritte**

1. Heben Sie die Schutzkappe des Anschlusses an.
2. Schließen Sie das Kabel an, um das Gerät aufzuladen.

#### 3.2 Gerät über Ladestation laden



**Schritte:**

1. Halten Sie das Gerät mit einer Hand und drücken Sie die beiden Akkuverriegelungen des Geräts.
2. Ziehen Sie den Akku aus dem Gerät.
3. Setzen Sie den Akku in die Ladestation ein. Sie können den Ladestatus über die Kontrollanzeige an der Ladestation ablesen.
4. Wenn der Akku vollständig geladen ist, nehmen Sie den Akku aus der Ladestation.
5. Setzen Sie die Batterie in das Gerät ein.

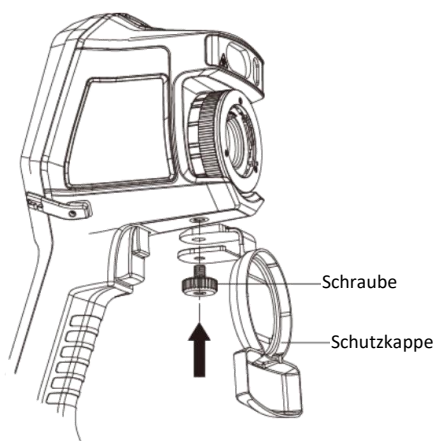
**Hinweis:** Bitte laden Sie das Gerät mit dem vom Hersteller mitgelieferten Kabel und Netzteil (oder entsprechend der Eingangsspannung aus den Technischen Daten).

#### 4. Schutzabdeckung montieren

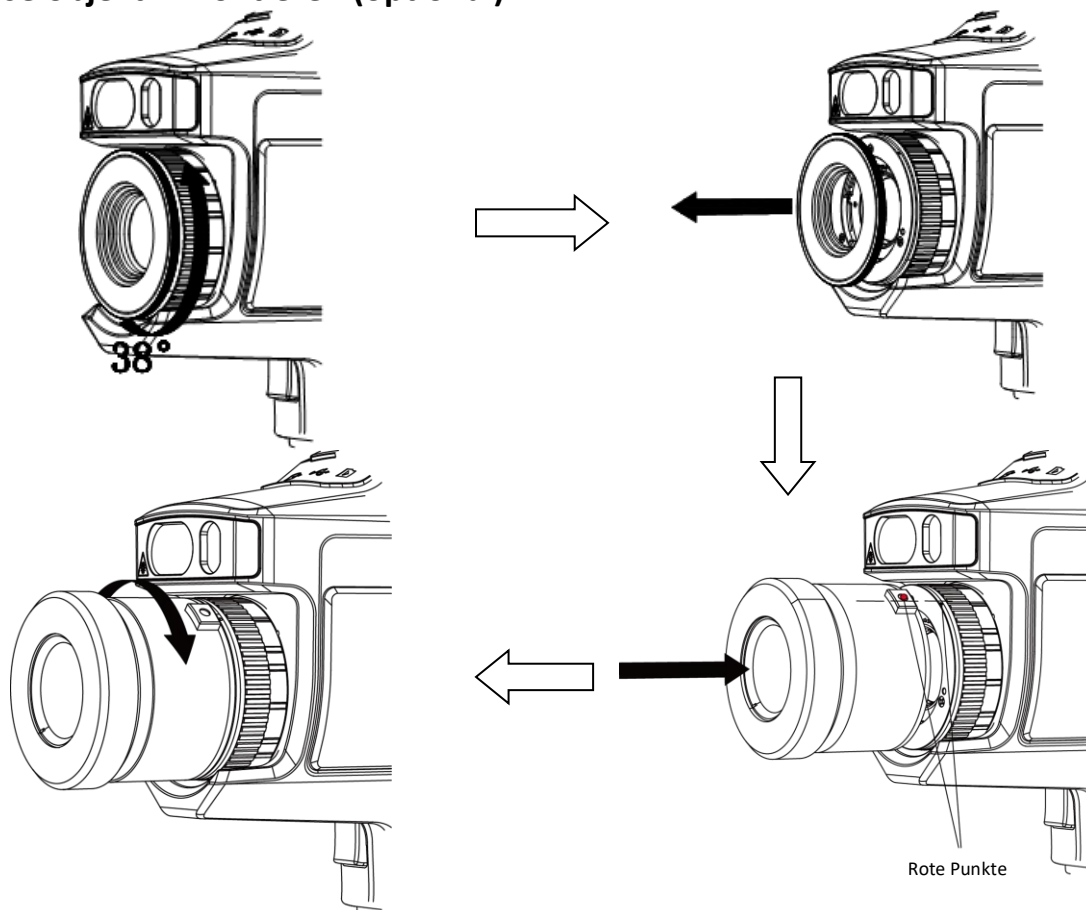
Bringen Sie die Schutzabdeckung an, wenn das Gerät nicht verwendet wird.

##### **Schritte**

1. Richten Sie die Gewindebohrung des Geräts mit der Montagebohrung des Objektivdeckels aus.
2. Setzen Sie die Schraube ein und drehen Sie sie im Uhrzeigersinn, um die Objektivabdeckung zu fixieren.



#### 5. Wechselobjektiv montieren (optional)



##### **Schritte**

1. Drehen Sie den Zierring 38° gegen den Uhrzeigersinn.
2. Entfernen Sie den Zierring.
3. Richten Sie die beiden roten Punkte auf dem Wechselobjektiv und dem Gerät aus und drehen Sie dann das Wechselobjektiv im Uhrzeigersinn, um die Montage zu beenden.
4. Drehen Sie das Wechselobjektiv im Uhrzeigersinn, um es zu befestigen.

## Rechtliche Informationen

Hinweise zu dieser Bedienungsanleitung

Die Bedienungsanleitung enthält Anleitungen zur Verwendung und Verwaltung des Produkts. Bilder, Diagramme, Abbildungen und alle sonstigen Informationen dienen nur der Beschreibung und Erklärung. Die Änderung der in der Bedienungsanleitung enthaltenen Informationen ist aufgrund von Firmware-Aktualisierungen oder aus anderen Gründen vorbehalten. Die neueste Version dieser Bedienungsanleitung finden Sie auf der Website des Unternehmens.

Bitte verwenden Sie diese Bedienungsanleitung unter Anleitung und Unterstützung von Fachleuten, die für den Support des Produkts geschult sind.

## Marken

Hier erwähnte Marken und Logos sind Eigentum ihrer jeweiligen Inhaber.

## HAFTUNGSAUSSCHLUSS

DIESE BEDIENUNGSANLEITUNG UND DAS BESCHRIEBENE PRODUKT MIT SEINER HARDWARE, SOFTWARE UND FIRMWARE WERDEN, SOWEIT GESETZLICH ZULÄSSIG, IN DER „VORLIEGENDEN FORM“ UND MIT „ALLEN FEHLERN UND IRRTÜMERN“ BEREITGESTELLT. UNSER UNTERNEHMEN GIBT KEINE AUSDRÜCKLICHEN ODER IMPLIZITEN GARANTIE, EINSCHLIESSLICH, ABER NICHT BESCHRÄNKT AUF MARKTGÄNGIGKEIT, ZUFRIEDENSTELLENDEN QUALITÄT ODER EIGNUNG FÜR EINEN BESTIMMTEN ZWECK. DIE NUTZUNG DES PRODUKTS DURCH SIE ERFOLGT AUF IHRE EIGENE GEFAHR. IN KEINEM FALL IST UNSER UNTERNEHMEN IHNEN GEGENÜBER HAFTBAR FÜR BESONDERE, ZUFÄLLIGE, DIREKTE ODER INDIREKTE SCHÄDEN, EINSCHLIESSLICH, JEDOCH NICHT DARAUF BESCHRÄNKT, VERLUST VON GESCHÄFTSGEWINNEN, GESCHÄFTSUNTERBRECHUNG, DATENVERLUST, SYSTEMBESCHÄDIGUNG, VERLUST VON DOKUMENTATIONEN, SEI ES AUFGRUND VON VERTRAGSBRUCH, UNERLAUBTER HANDLUNG (EINSCHLIESSLICH FAHRLÄSSIGKEIT), PRODUKTHAFTUNG ODER ANDERWEITIG, IN VERBINDUNG MIT DER VERWENDUNG DIESES PRODUKTS, SELBST WENN UNSER UNTERNEHMEN ÜBER DIE MÖGLICHKEIT DERARTIGER SCHÄDEN ODER VERLUSTE INFORMIERT WAR.

SIE ERKENNEN AN, DASS DIE NATUR DES INTERNETS DAMIT VERBUNDENE SICHERHEITSRISIKEN BEINHALTET, UND UNSER UNTERNEHMEN HAFTET NICHT BEI ANORMALEM BETRIEB, VERLUST DER PRIVATSPHÄRE ODER SONSTIGEN SCHÄDEN, DIE SICH DURCH CYBER-ANGRIFFE, HACKER-ANGRIFFE, VIRENBEFALL ODER ANDERE INTERNET-SICHERHEITSRISIKEN ERGEBEN. BEI BEDARF WIRD UNSER UNTERNEHMEN JEDOCH ZEITNAH TECHNISCHE UNTERSTÜTZUNG LEISTEN.

SIE STIMMEN ZU, DIESES PRODUKT IN ÜBEREINSTIMMUNG MIT ALLEN GELTENDEN GESETZEN ZU VERWENDEN, UND SIE SIND ALLEIN DAFÜR VERANTWORTLICH, DASS IHRE VERWENDUNG GEGEN KEINE GELTENDEN GESETZE VERSTÖßT. INSBESONDERE SIND SIE DAFÜR VERANTWORTLICH, DIESES PRODUKT SO ZU VERWENDEN, DASS DIE RECHTE DRITTER NICHT VERLETZT WERDEN, EINSCHLIEßLICH, ABER NICHT BESCHRÄNKT AUF VERÖFFENTLICHUNGSRECHTE, DIE RECHTE AN GEISTIGEM EIGENTUM ODER DEN DATENSCHUTZ UND ANDERE PERSÖNLICHKEITSRECHTE. SIE DÜRFEN DIESES PRODUKT NICHT FÜR VERBOTENE ENDANWENDUNGEN VERWENDEN, EINSCHLIESSLICH DER ENTWICKLUNG ODER HERSTELLUNG VON MASSENVERNICHTUNGSWAFFEN, DER ENTWICKLUNG ODER HERSTELLUNG CHEMISCHER ODER BIOLOGISCHER WAFFEN, JEDLICHER AKTIVITÄTEN IM ZUSAMMENHANG MIT EINEM NUKLEAREN SPRENGKÖRPER ODER UNSICHEREN NUKLEAREN BRENNSTOFFKREISLAUF BZW. ZUR UNTERSTÜTZUNG VON MENSCHENRECHTSVERLETZUNGEN. IM FALL VON WIDERSPRÜCHEN ZWISCHEN DIESER BEDIENUNGSANLEITUNG UND GELTENDEM RECHT IST LETZTERES MASSGEBLICH.

## Behördliche Informationen

### EU-Konformitätserklärung



Dieses Produkt und – falls zutreffend – das mitgelieferte Zubehör sind mit dem „CE“-Zeichen gekennzeichnet und erfüllen daher die gültigen harmonisierten Europäischen Normen, die in der EMV-Richtlinie 2014/30/EG und der RoHS-Richtlinie 2011/65/EU aufgelistet sind.



2012/19/EU (Elektroaltgeräte-Richtlinie): Produkte, die mit diesem Symbol gekennzeichnet sind, dürfen innerhalb der Europäischen Union nicht mit dem Hausmüll entsorgt werden. Für korrektes Recycling geben Sie dieses Produkt an Ihren örtlichen Fachhändler zurück oder entsorgen Sie es an einer der Sammelstellen. Weitere Informationen finden Sie unter: [www.recyclethis.info](http://www.recyclethis.info).



2006/66/EC (Batterierichtlinie): Dieses Produkt enthält eine Batterie, die innerhalb der Europäischen Union nicht mit dem Hausmüll entsorgt werden darf. Siehe Produktdokumentation für spezifische Hinweise zu Batterien. Die Batterie ist mit diesem Symbol gekennzeichnet, das zusätzlich die Buchstaben Cd für Cadmium, Pb für Blei oder Hg für Quecksilber enthalten kann. Für korrektes Recycling geben Sie die Batterie an Ihren örtlichen Fachhändler zurück oder entsorgen Sie sie an einer der Sammelstellen. Weitere Informationen finden Sie unter: [www.recyclethis.info](http://www.recyclethis.info).

## Sicherheitshinweis

Diese Anleitungen sollen gewährleisten, dass Sie das Produkt korrekt verwenden, um Gefahren oder Sachschäden zu vermeiden.

### Gesetze und Vorschriften

- Die Verwendung des Produkts muss in strikter Übereinstimmung mit den örtlichen elektrischen Sicherheitsvorschriften erfolgen.

### Transportwesen

- Bewahren Sie das Gerät während des Transports in der Originalverpackung oder einer ähnlichen Verpackung auf.
- Bewahren Sie alle Verpackungsmaterialien nach dem Auspacken zur weiteren Verwendung auf. Im Falle eines Fehlers müssen Sie das Gerät in der Originalverpackung an das Werk zurücksenden. Beim Transport ohne Originalverpackung kann das Gerät beschädigt werden und wir übernehmen keine Verantwortung.
- Lassen Sie das Produkt nicht fallen und stoßen Sie es nicht hart an. Halten Sie das Gerät von magnetischen Störungen fern.

### Spannungsversorgung

- Die Eingangsspannung muss der begrenzten Stromquelle (5 V/DC, 940 mA ) gemäß der Norm IEC61010-1 entsprechen. Siehe technische Daten für detaillierte Informationen.
- Vergewissern Sie sich, dass der Stecker ordnungsgemäß an der Steckdose angeschlossen ist.
- Schließen Sie NICHT mehrere Geräte an einem Netzteil an, um Überhitzung oder Feuer aufgrund von Überlastung zu vermeiden.

### Batterie

- Der integrierte Akku kann nicht entfernt werden. Wenden Sie sich gegebenenfalls zur Reparatur an den Hersteller.
- Laden Sie andere Akkutypen NICHT mit dem mitgelieferten Ladegerät. Stellen Sie sicher, dass sich während des Ladevorgangs im Umkreis von 2 m um das Ladegerät kein brennbares Material befindet.
- Bei langfristiger Lagerung des Akkus achten Sie darauf, dass er alle 6 Monate vollständig geladen wird, um seine Qualität zu gewährleisten. Anderenfalls kann es zu Schäden kommen.
- Legen Sie den Akku NICHT in die Nähe von Heizungen oder offenem Feuer. Keinem direkten Sonnenlicht aussetzen.
- Verschlucken Sie den Akku NICHT, um chemische Verbrennungen zu vermeiden.
- Bringen Sie den Akku NICHT in die Reichweite von Kindern.

- Wenn das Gerät ausgeschaltet und der RTC-Akku voll ist, können die Zeiteinstellungen für 15 Tage gehalten werden.
- Bei Erstgebrauch schalten Sie das Gerät ein und laden Sie den RTC-Akku für mehr als 10 Stunden.
- Die Akkuspannung beträgt 3,6 V und die Kapazität 6700 mAh.
- Der Akku ist gemäß UL2054 zertifiziert.

### **Instandhaltung**

- Wenn das Produkt nicht ordnungsgemäß funktioniert, wenden Sie sich bitte an Ihren Fachhändler oder den nächsten Kundendienst. Wir übernehmen keine Haftung für Probleme, die durch nicht Reparatur- oder Instandhaltungsarbeiten von nicht autorisierten Dritten verursacht werden.
- Einige Gerätekomponenten (z.B. Elektrolytkondensator) müssen regelmäßig ausgetauscht werden. Die durchschnittliche Lebensdauer variiert, weshalb eine regelmäßige Prüfung empfohlen wird. Einzelheiten erfahren Sie von Ihrem Händler.
- Wischen Sie das Gerät bei Bedarf vorsichtig mit einem sauberen Tuch und etwas Ethanol ab.
- Wenn das Gerät auf eine Weise verwendet wird, die nicht vom Hersteller angegeben ist, kann der vom Gerät gebotene Schutz beeinträchtigt sein.
- Wir empfehlen, das Gerät einmal im Jahr zur Kalibrierung einzusenden. Wenden Sie sich bitte an den örtlichen Fachhändler, um Informationen zu den Wartungspunkten zu erhalten.
- Bitte beachten Sie, dass die Stromgrenze des USB 3.0 PowerShare-Anschlusses je nach PC-Marke variieren kann, was zu Inkompatibilitätsproblemen führen kann. Daher empfehlen wir, den normalen USB 3.0- oder USB 2.0-Anschluss zu verwenden, wenn das USB-Gerät vom PC nicht über den USB 3.0 PowerShare-Anschluss erkannt wird.

### **Einsatzumgebung**

- Das Gerät darf NICHT extrem heißen, kalten, staubigen, korrosiven, salzhaltigen oder feuchten Umgebungen ausgesetzt werden. Achten Sie darauf, dass die Betriebsumgebung den Anforderungen des Geräts entspricht. Die Betriebstemperatur des Geräts beträgt -20 °C bis +50 °C und die Betriebsluftfeuchtigkeit darf höchstens 90 % betragen.
- Dieses Gerät kann nur bis zu 2000 m über dem Meeresspiegel sicher verwendet werden.
- Verwenden Sie das Gerät in einer trockenen und gut belüfteten Umgebung.
- Setzen Sie das Gerät KEINER hohen elektromagnetischen Strahlung oder staubigen Umgebung aus.
- Richten Sie das Objektiv NICHT auf die Sonne oder ein anderes helles Licht.
- Wenn ein Lasergerät verwendet wird, achten Sie darauf, dass das Objektiv des Geräts nicht dem Laserstrahl ausgesetzt ist, da es anderenfalls durchbrennen kann.
- Das Gerät ist für die Verwendung im Innen- und Außenbereich geeignet, darf aber nicht in feuchten Umgebungen eingesetzt werden.
- Der Schutzgrad ist IP 54.
- Der Verschmutzungsgrad ist 2.

### **Notruf**

- Wenn Rauch, Geruch oder Geräusche vom Gerät ausgehen, schalten Sie es sofort aus, ziehen Sie den Netzstecker und wenden Sie sich an den Kundendienst.

## Laser

Warnhinweis: Die vom Gerät abgegebene Laserstrahlung kann zu Augenverletzungen, Hautverbrennungen oder der Entzündung brennbarer Substanzen führen. Schützen Sie Ihre Augen vor direktem Laserlicht. Bevor Sie die Funktion Zusatzlicht aktivieren, vergewissern Sie sich, dass sich weder Personen noch brennbare Substanzen vor der Laserlinse befinden. Die Wellenlänge beträgt 650 nm und die Leistung liegt unter 1 mW. Der Laser erfüllt die Norm IEC60825-1:2014.



Laser-Wartung: Es ist nicht erforderlich, den Laser regelmäßig zu warten. Wenn der Laser nicht funktioniert, muss die Laserbaugruppe im Rahmen der Garantie im Werk ausgetauscht werden. Lassen Sie das Gerät ausgeschaltet, wenn Sie die Laserbaugruppe austauschen. Vorsicht: Die Verwendung von Bedienelementen oder Einstellungen oder die Durchführung von Verfahren, die nicht in dieser Anleitung beschrieben sind, kann zu gefährlicher Strahlenbelastung führen.

RECHTLICHER HINWEIS: Die Produkte der Wärmebild-Serie unterliegen unter Umständen in verschiedenen Ländern oder Regionen Exportkontrollen, wie zum Beispiel in den Vereinigten Staaten, der Europäischen Union, dem Vereinigten Königreich und/oder anderen Mitgliedsländern des Wassenaar-Abkommens. Bitte wenden Sie sich an Ihren professionellen Rechts- oder Compliance-Experten oder an die zuständigen Behörden, wenn Sie beabsichtigen, Produkte der Wärmebild-Serie zwischen verschiedenen Ländern zu transferieren, zu exportieren oder zu reexportieren, um Informationen über eine eventuell erforderliche Ausfuhrgenehmigung zu erhalten.

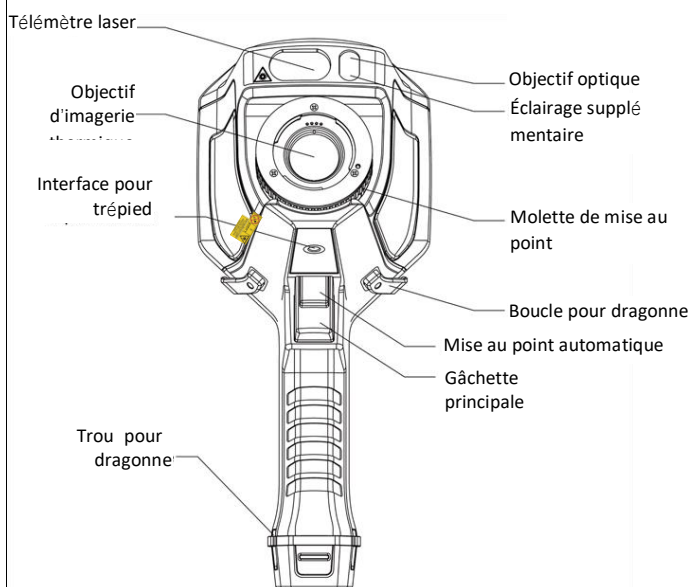
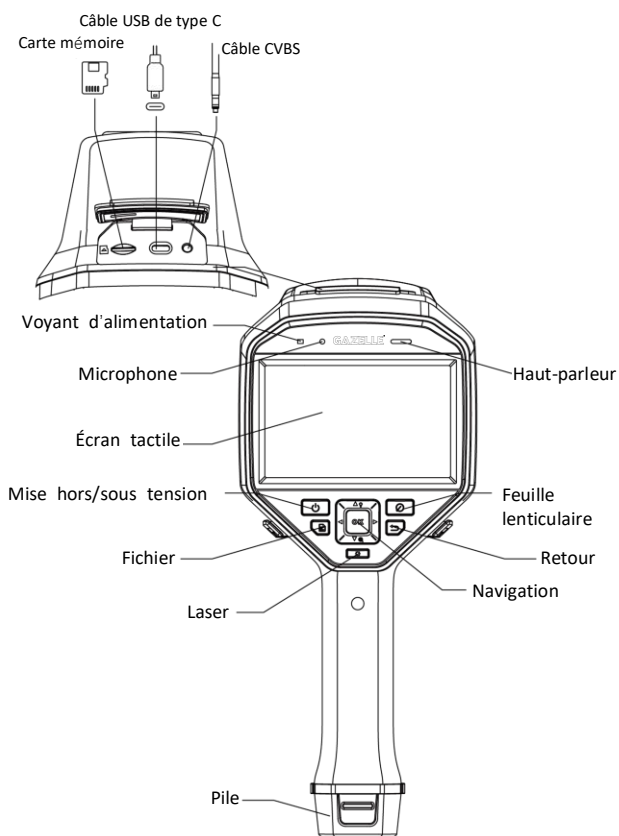
*Français*

### 1. Brève description

La caméra thermographique portable est une caméra à images optiques et thermiques. Elle offre des fonctions de mesure de température et de distance, d'enregistrement vidéo, de prise d'instantanés, d'alarme, etc. Le détecteur infrarouge à haute sensibilité et le capteur à hautes performances intégrés détectent toute variation de température en temps réel. La plage de mesure de température est comprise entre -20 et 650 °C avec une précision de  $\pm 2$  °C ou 2 %. Elle aide les utilisateurs à identifier les risques afin de réduire les pertes matérielles. L'appareil prend en charge des fonctions d'affichage, de capture et d'enregistrement des images en temps réel.

### 2. Description





**Remarque :** un signe de danger figure sous le laser et sur le côté gauche de l'appareil.

Composant	Fonction
Touche de navigation	En mode Menu : <ul style="list-style-type: none"> <li>● Appuyez sur les touches <math>\nabla</math>, <math>\triangle</math>, <math>\triangleright</math> et <math>\triangleleft</math> pour sélectionner les paramètres.</li> <li>● Appuyez sur <b>OK</b> pour confirmer.</li> </ul>
	Hors mode Menu : <ul style="list-style-type: none"> <li>● Appuyez sur la touche <math>\triangle</math> pour allumer/éteindre l'éclairage supplémentaire.</li> <li>● Appuyez sur la touche <math>\nabla</math> pour lancer le zoom numérique.</li> </ul>
Touche laser	Maintenez cette touche enfoncée pour allumer le laser, puis relâchez-le pour éteindre le laser.
Touche de feuille lenticulaire	Permet de couvrir l'objectif pour réaliser la correction.
Touche de retour	Permet de sortir du menu ou de revenir au menu précédent.
Molette de mise au point	Permet de régler la focale de l'objectif.
Gâchette	Enfoncez la gâchette pour capturer ou scanner le code QR. Maintenez la gâchette enfoncée pour enregistrer des vidéos.
Mise au point automatique	Appuyez sur la gâchette pour activer/désactiver la fonction de mise au point automatique.
Port de câble	Permet de charger l'appareil ou d'exporter des fichiers à l'aide du câble fourni.

### 3. Chargement de l'appareil

Après le démarrage de l'appareil, l'affichage à l'écran indique l'état de la batterie. Lorsque la batterie est faible, chargez l'appareil et assurez-vous qu'il fonctionne correctement.

Pour la première charge, rechargez l'appareil pendant 10 heures tandis qu'il est allumé.

**Remarque :**

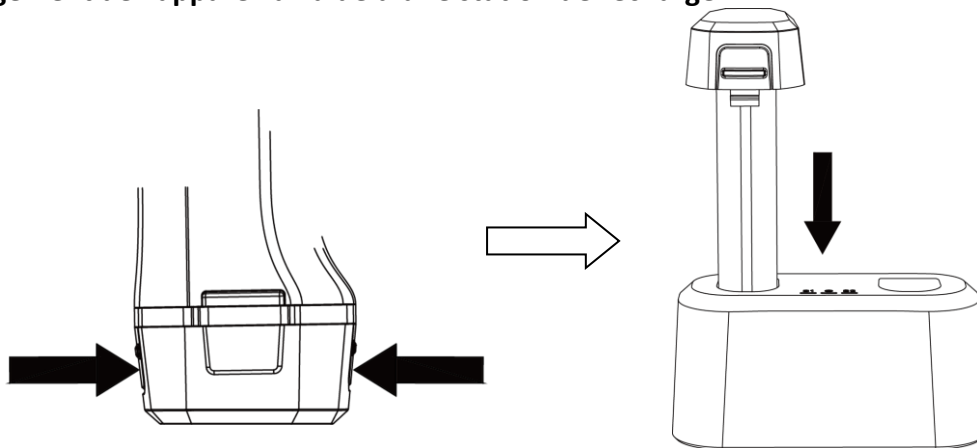
- La batterie à cellules intégrée qui alimente l'horloge en temps réel (RTC) de l'appareil peut se décharger lors de transport ou de stockage prolongé. Il est recommandé de recharger la batterie RTC pour le bon fonctionnement de l'horloge de l'appareil.
- Pour charger complètement la batterie RTC, les conditions suivantes doivent être réunies :
  - a) La batterie rechargeable au lithium doit être installée dans l'appareil.
  - b) L'appareil doit fonctionner pendant plus de 10 heures avant de l'éteindre.

#### 3.1 Chargement de l'appareil à l'aide d'un câble

**Procédures**

1. Soulevez le couvercle du port.
2. Branchez le câble pour charger l'appareil.

#### 3.2 Chargement de l'appareil à l'aide d'une station de recharge



**Procédures :**

1. Tenez l'appareil, puis appuyez simultanément sur les deux dispositifs de verrouillage de la batterie situés sur l'appareil.
2. Maintenez les dispositifs de verrouillage, puis tirez la base de la batterie pour sortir la batterie.
3. Insérez la batterie dans la station de recharge. L'état de charge est visible grâce à la lampe témoin située sur la station de recharge.
4. Lorsque la batterie est complètement chargée, retirez-la de la station de recharge.
5. Insérez la batterie dans l'appareil.

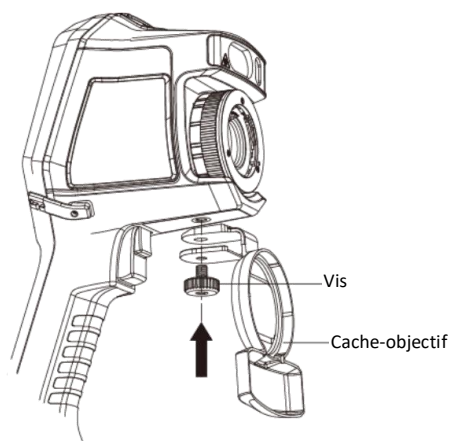
**Remarque :** Chargez l'appareil à l'aide du câble et de l'adaptateur fournis par le fabricant (ou selon les caractéristiques de la tension d'entrée indiquée dans les spécifications).

#### 4. Montage du cache-objectif

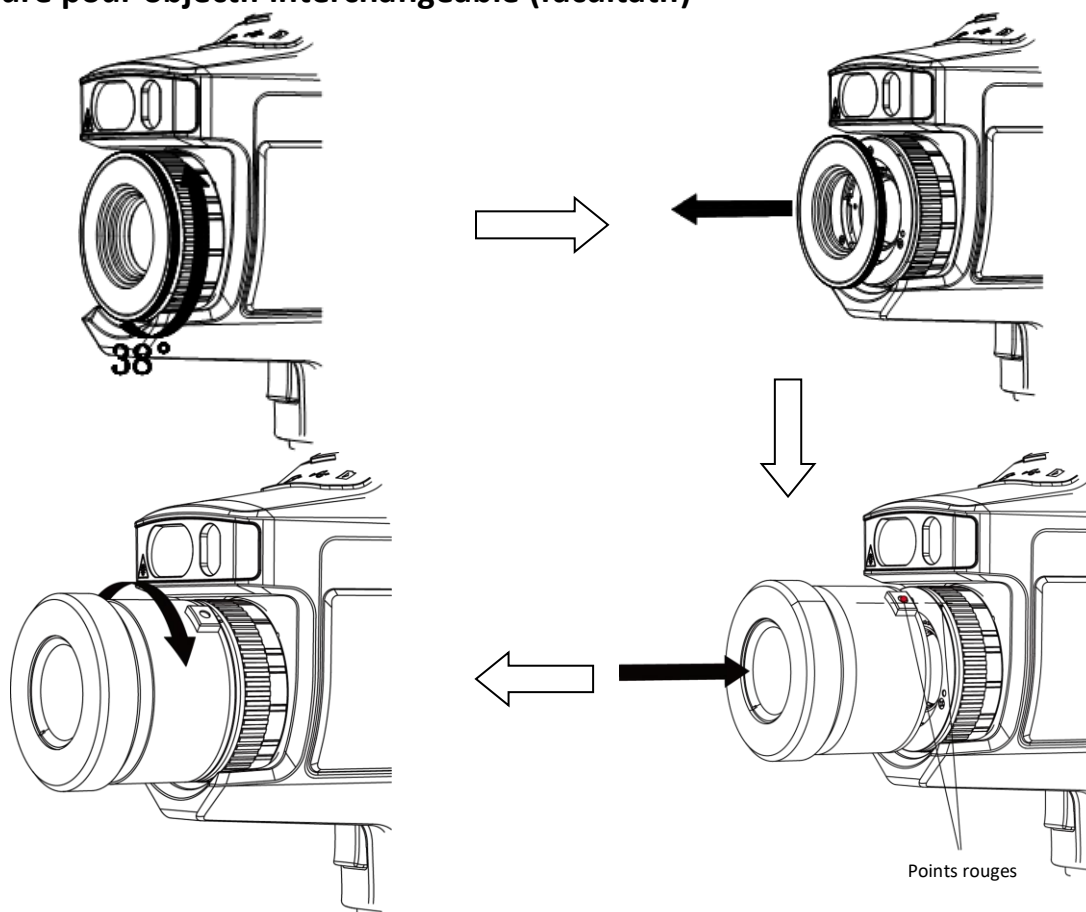
Remettez le cache-objectif en place lorsque l'appareil n'est pas utilisé.

##### Procédures

1. Alignez le trou fileté de l'appareil sur le trou de montage du cache-objectif.
2. Insérez la vis, puis serrez-la dans le sens horaire pour fixer le cache-objectif.



#### 5. Monture pour objectif interchangeable (facultatif)



##### Procédures

1. Tournez l'anneau décoratif à 38° dans le sens antihoraire.
2. Retirez l'anneau décoratif.
3. Alignez les deux points rouges de l'objectif interchangeable sur ceux de l'appareil, puis faites tourner l'objectif dans le sens horaire pour terminer le montage.
4. Tournez l'objectif interchangeable dans le sens horaire pour le fixer.

## Informations légales

À propos de ce manuel

Ce manuel fournit des instructions d'utilisation et de gestion du produit. Les images, les tableaux, les figures et toutes les autres informations ci-après ne sont données qu'à titre de description et d'explication. Les informations contenues dans ce manuel sont modifiables sans préavis, en raison d'une mise à jour d'un micrologiciel ou pour d'autres raisons. La dernière version de ce manuel est disponible sur le site Internet de la société.

Veuillez utiliser ce mode d'emploi avec les conseils et l'assistance de professionnels spécialement formés dans la prise en charge de ce produit.

### Reconnaissance des marques de commerce

Les marques et les logos mentionnés appartiennent à leurs propriétaires respectifs.

### MENTIONS LÉGALES

DANS LES LIMITES AUTORISÉES PAR LA LOI EN VIGUEUR, LE PRÉSENT MANUEL ET LE PRODUIT DÉCRIT, AINSI QUE SON MATÉRIEL, SES LOGICIELS ET SES MICROLOGICIELS, SONT FOURNIS « EN L'ÉTAT » ET « AVEC TOUS LES DÉFAUTS ET ERREURS ». NOTRE SOCIÉTÉ NE FAIT AUCUNE GARANTIE, EXPLICITE OU IMPLICITE, Y COMPRIS MAIS, SANS S'Y LIMITER, DE QUALITÉ MARCHANDE, DE QUALITÉ SATISFAISANTE, OU D'ADÉQUATION À UN USAGE PARTICULIER. VOUS UTILISEZ LE PRODUIT À VOS PROPRES RISQUES. EN AUCUN CAS, LA SOCIÉTÉ NE SERA TENUE RESPONSABLE POUR TOUT DOMMAGE SPÉCIAL, CONSÉCUTIF, ACCESSOIRE, OU INDIRECT, ENTRE AUTRES, LES DOMMAGES RELATIFS À LA PERTE DE PROFITS D'ENTREPRISE, À L'INTERRUPTION D'ACTIVITÉS COMMERCIALES, OU LA PERTE DES DONNÉES, LA CORRUPTION DES SYSTÈMES, OU LA PERTE DES DOCUMENTS, S'ILS SONT BASÉS SUR LA VIOLATION DU CONTRAT, UNE FAUTE (Y COMPRIS LA NÉGLIGENCE), LA RESPONSABILITÉ DES PRODUITS, OU AUTRE, EN RAPPORT AVEC L'UTILISATION DU PRODUIT, MÊME SI NOTRE SOCIÉTÉ A ÉTÉ INFORMÉE DE LA POSSIBILITÉ D'UN TEL DOMMAGE OU D'UNE TELLE PERTE.

VOUS RECONNAISSEZ QUE LA NATURE D'INTERNET EST SOURCE DE RISQUES DE SÉCURITÉ INHÉRENTS, ET NOTRE SOCIÉTÉ SE DÉGAGE DE TOUTE RESPONSABILITÉ EN CAS DE FONCTIONNEMENT ANORMAL, DIVULGATION D'INFORMATIONS CONFIDENTIELLES OU AUTRES DOMMAGES DÉCOULANT D'UNE CYBERATTAQUE, D'UN PIRATAGE INFORMATIQUE, D'UNE INFECTION PAR DES VIRUS, OU AUTRES RISQUES DE SÉCURITÉ LIÉS À INTERNET ; TOUTEFOIS, NOTRE SOCIÉTÉ FOURNIRA UNE ASSISTANCE TECHNIQUE DANS LES DÉLAIS, LE CAS ÉCHÉANT.

VOUS ACCEPTEZ D'UTILISER CE PRODUIT CONFORMÉMENT À L'ENSEMBLE DES LOIS EN VIGUEUR. IL EST DE VOTRE RESPONSABILITÉ EXCLUSIVE DE VEILLER À CE QUE VOTRE UTILISATION SOIT CONFORME À LA LOI APPLICABLE. IL VOUS APPARTIENT SURTOUT D'UTILISER CE PRODUIT D'UNE MANIÈRE QUI NE PORTE PAS ATTEINTE AUX DROITS DE TIERS, Y COMPRIS, MAIS SANS S'Y LIMITER, LES DROITS DE PUBLICITÉ, LES DROITS DE PROPRIÉTÉ INTELLECTUELLE, OU LA PROTECTION DES DONNÉES ET D'AUTRES DROITS À LA VIE PRIVÉE. VOUS NE DEVEZ PAS UTILISER CE PRODUIT POUR TOUTE UTILISATION FINALE INTERDITE, NOTAMMENT LA MISE AU POINT OU LA PRODUCTION D'ARMES DE DESTRUCTION MASSIVE, LA MISE AU POINT OU LA FABRICATION D'ARMES CHIMIQUES OU BIOLOGIQUES, LES ACTIVITÉS DANS LE CONTEXTE LIÉ AUX EXPLOSIFS NUCLÉAIRES OU AU CYCLE DU COMBUSTIBLE NUCLÉAIRE DANGEREUX, OU SOUTENANT LES VIOLATIONS DES DROITS DE L'HOMME. EN CAS DE CONFLIT ENTRE CE MANUEL ET LES LOIS EN VIGUEUR, CES DERNIÈRES PRÉVALENT.

## Réglementation

### Déclaration de conformité UE



Le présent produit et, le cas échéant, les accessoires fournis, portent la mention « CE » et sont par conséquent conformes aux normes européennes harmonisées, répertoriées dans les directives CEM 2014/30/UE et RoHS 2011/65/UE.



2012/19/UE (directive DEEE) : Dans l'Union européenne, les produits portant ce pictogramme ne doivent pas être déposés dans une décharge municipale où le tri des déchets n'est pas pratiqué. Pour un recyclage adéquat, remettez ce produit à votre revendeur lors de l'achat d'un nouvel équipement équivalent, ou déposez-le dans un lieu de collecte prévu à cet effet. Pour de plus amples informations, consultez : [www.recyclethis.info](http://www.recyclethis.info).



2006/66/CE (directive sur les batteries) : Ce produit renferme une batterie qui ne doit pas être déposée dans une décharge municipale où le tri des déchets n'est pas pratiqué, dans l'Union européenne. Pour plus de précisions sur la batterie, reportez-vous à sa documentation. La batterie porte le pictogramme ci-contre, qui peut inclure la mention Cd (cadmium), Pb (plomb) ou Hg (mercure). Pour la recycler correctement, renvoyez la batterie à votre revendeur ou déposez-la dans un point de collecte prévu à cet effet. Pour de plus amples informations, consultez : [www.recyclethis.info](http://www.recyclethis.info).

## Consignes de sécurité

L'objectif de ces instructions est de garantir que l'utilisateur soit en mesure d'utiliser correctement le produit sans danger ou dommage aux biens.

### Lois et réglementations

- L'appareil doit être strictement utilisé conformément à la réglementation locale en matière de sécurité électrique.

### Transport

- Gardez l'appareil dans son emballage d'origine ou dans un emballage similaire lors de son transport.
- Veuillez conserver l'emballage de l'appareil pour toute utilisation ultérieure. En cas de panne, vous devrez renvoyer l'appareil à l'usine dans son emballage d'origine. Le transport de l'appareil sans son emballage d'origine peut l'endommager, et l'entreprise se dégage de toute responsabilité dans ce cas.
- Ne faites pas tomber le produit ni ne le soumettre à un choc physique. Éloigner l'appareil d'interférences magnétiques.

### Alimentation électrique

- La tension d'entrée doit être conforme à celle d'une source d'alimentation limitée (5 V CC, 940 mA) selon la norme CEI 61010-1. Veuillez vous référer aux caractéristiques techniques pour des informations détaillées.
- Vérifiez que la prise est correctement branchée à la prise électrique.
- Pour éviter tout risque de surchauffe ou d'incendie dû à une surcharge, ne reliez PAS plusieurs appareils à un seul adaptateur d'alimentation.

### Pile

- La batterie intégrée ne peut pas être démontée. Veuillez contacter le fabricant pour réparation si nécessaire.
- Ne chargez pas d'autres types de batteries avec le chargeur fourni. Pendant la recharge des piles, vérifiez qu'il n'y a aucun matériau inflammable à moins de 2 m du chargeur.
- En cas de stockage à long terme de la batterie, assurez-vous qu'elle est complètement chargée tous les six mois afin d'en conserver la qualité. Dans le cas contraire, elle pourrait se détériorer.
- Ne placez pas la batterie à proximité d'une source de chaleur ou de feu. Ne l'exposez pas à la lumière directe du soleil.
- N'avalez pas la batterie pour éviter les risques de brûlures chimiques.
- Ne laissez pas la batterie à portée des enfants.
- Lorsque l'appareil est éteint et la batterie RTC est entièrement chargée, les paramètres de l'heure seront gardés pendant 15 jours.

- À la première utilisation, allumez l'appareil et chargez la batterie RTC avec la batterie au lithium installée pendant plus de 10 heures.
- La tension de la batterie est de 3,6 V et sa capacité est de 6 700 mAh.
- La batterie est conforme à la norme UL2054.

### **Maintenance**

- Si le produit ne fonctionne pas correctement, contactez votre revendeur ou le centre de réparation le plus proche. Nous n'assumerons aucune responsabilité concernant les problèmes causés par une réparation ou une opération de maintenance non autorisée.
- Certains composants de l'appareil (p. ex., condensateur électrolytique) doivent être remplacés régulièrement. Leur durée de vie moyenne est variable, c'est pourquoi des contrôles périodiques sont recommandés. Veuillez contacter votre distributeur pour plus d'informations.
- Essuyez délicatement l'appareil à l'aide d'un chiffon propre imbibé d'une petite quantité d'éthanol, si nécessaire.
- Si l'appareil n'est pas utilisé conformément aux indications du fabricant, le dispositif de protection fourni par l'appareil peut être compromis.
- Nous vous recommandons de nous renvoyer l'appareil pour étalonnage une fois par an. Contactez le fournisseur local pour plus d'informations sur les points à entretenir.
- Notez que la limite de courant des ports USB 3.0 PowerShare varie entre les différentes marques d'ordinateur, ce qui est susceptible d'entraîner des problèmes d'incompatibilité. Par conséquent, il est conseillé d'utiliser un port USB 3.0 ou USB 2.0 ordinaire si votre ordinateur n'arrive pas à détecter l'appareil USB par un port USB 3.0 PowerShare.

### **Environnement d'exploitation**

- N'exposez pas l'appareil à des environnements extrêmement chauds, froids, poussiéreux, corrosifs, salins-alcalins ou humides. Assurez-vous que l'environnement d'exploitation répond aux exigences de l'appareil. La température de fonctionnement doit être comprise entre -20 et 50 °C, et l'humidité de fonctionnement doit être inférieure ou égale à 90 %.
- Cet appareil peut uniquement être utilisé en toute sécurité jusqu'à une altitude de 2 000 m au-dessus du niveau de la mer.
- Placez l'appareil dans un endroit sec et bien ventilé.
- N'exposez pas l'appareil à de puissants rayonnements électromagnétiques ou à des environnements poussiéreux.
- N'orientez pas l'objectif vers le soleil ou toute autre source de lumière vive.
- Pendant l'utilisation de tout équipement laser, veillez à ce que l'objectif de l'appareil ne soit pas exposé au faisceau laser de l'équipement, car il pourrait brûler.
- L'appareil convient à un usage en intérieur et en extérieur, mais évitez de l'exposer à un environnement humide.
- Le niveau de protection est IP 54.
- Le degré de pollution est 2.

### **Urgence**

- Si de la fumée, des odeurs ou du bruit s'échappent de l'appareil, mettez immédiatement l'appareil hors tension et débranchez le câble d'alimentation, puis contactez un centre de réparation.

## Laser

Avertissement : Le rayonnement laser émis par l'appareil peut provoquer des blessures aux yeux, des brûlures de la peau ou générer des substances inflammables. ne regardez pas directement le laser. Avant d'activer la fonction de complément de lumière, assurez-vous qu'aucune personne ni aucune substance inflammable ne se trouvent devant l'objectif du laser. La longueur d'onde est de 650 nm et la puissance est inférieure à 1 mW. Le laser répond aux dispositions requises de la norme IEC60825-1:2014.



Entretien du laser : le laser ne demande pas d'entretien régulier. Si le laser ne fonctionne pas, le bloc laser doit être remplacé en usine sous garantie. L'appareil doit être mis hors tension lors du remplacement du bloc laser. Attention : l'utilisation de commandes ou de réglages ou l'exécution de procédures autres que celles indiquées dans le présent document peut entraîner une exposition dangereuse aux radiations.

AVIS DE CONFORMITÉ : Il est possible que les produits de la série thermique soient soumis à des contrôles d'exportation dans divers pays ou diverses régions, ce qui inclut, sans s'y limiter, les États-Unis, l'Union Européenne, le Royaume-Uni et/ou d'autres pays membres de l'Arrangement de Wassenaar. Veuillez consulter votre expert professionnel en questions juridiques ou en conformité ou les autorités de votre gouvernement local pour toute exigence de permis d'exportation si vous prévoyez de transférer, d'exporter ou de réexporter des produits de la série thermique entre différents pays.

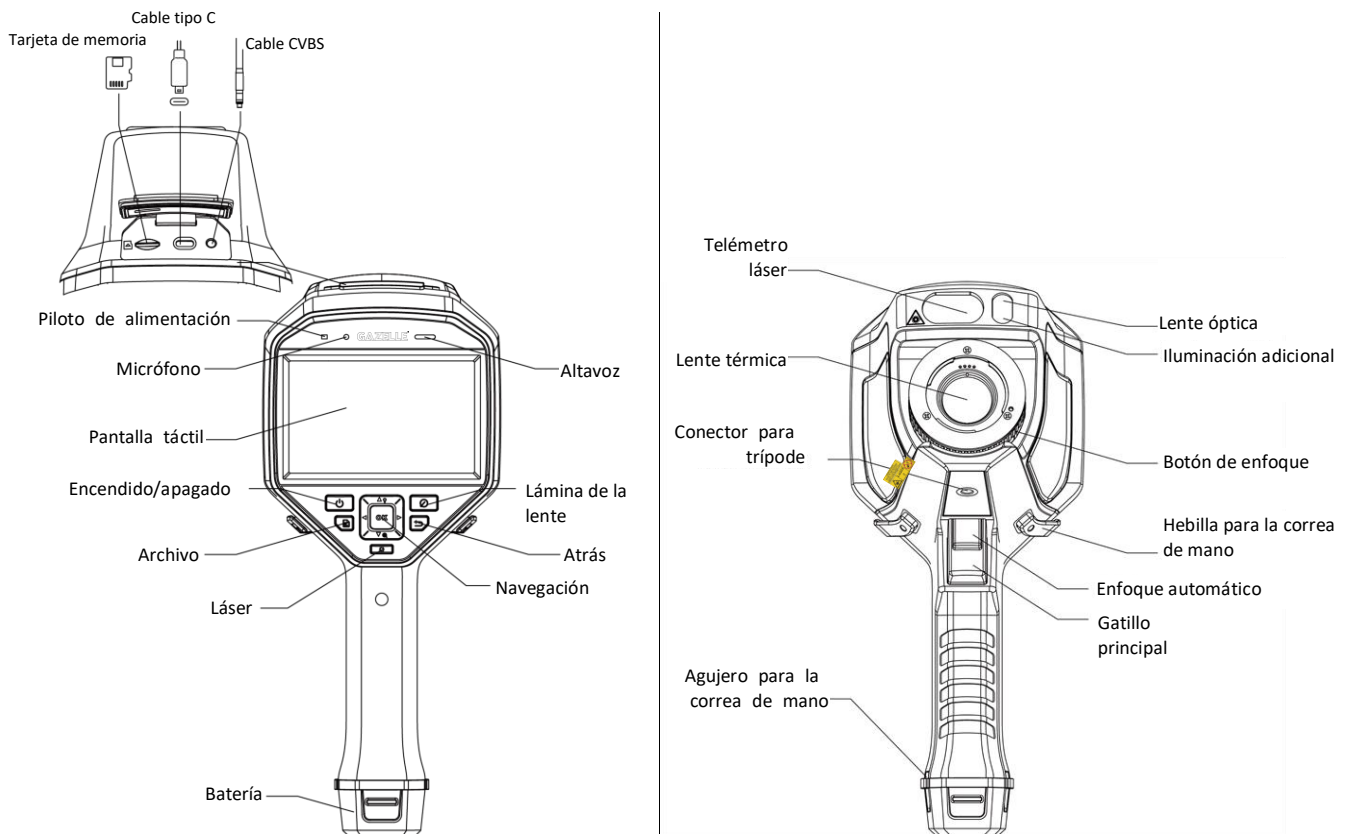
**Español**

### 1. Descripción breve

La cámara de análisis térmico portátil permite obtener imágenes tanto ópticas como térmicas. Posibilita la realización de análisis térmicos, la medición de distancias, la grabación de vídeos, la captura de instantáneas, la generación de alarmas, etc. El detector integrado de infrarrojos de alta sensibilidad y el sensor de alto rendimiento detectan los cambios de temperatura y la miden en tiempo real. El intervalo de medición de la temperatura oscila entre -20 °C y 650 °C (-4 °F y 1202 °F) con una precisión de  $\pm 2$  °C ( $\pm 3.6$  °F) o del 2 %. Ayuda a los usuarios a encontrar las partes que entrañan riesgos y a reducir los daños en su propiedad.

El dispositivo es compatible con vista en directo, captura y grabación en su teléfono.

## 2. Descripción



**Nota:** La señalización de advertencia se encuentra por debajo del láser y en la parte izquierda del dispositivo.

Componente	Función
Botón de navegación	Modo menú: ● Pulse $\nabla$ , $\triangle$ , $\triangleright$ , y $\triangleleft$ para seleccionar los parámetros. ● Pulse <b>OK</b> para confirmar.
	Modo sin menú: ● Pulse $\triangle$ para encender/apagar la luz led suplementaria. ● Pulse $\nabla$ para activar el zum digital.
Botón del láser	Mantenga pulsado el botón para encender el láser y suéltelo para apagarlo.
Botón de la lámina de la lente	Permite cubrir la lente para realizar la corrección.
Botón atrás	Permite salir del menú o regresar al menú anterior.
Botón de enfoque	Permite ajustar la longitud focal de la lente.
Gatillo	Pulse el gatillo para capturar o escanear el código QR. Mantenga pulsado el gatillo para grabar vídeos.
Enfoque automático	Pulse el gatillo para activar/desactivar la función de enfoque automático.
Conector del cable	Utilícelo para cargar el dispositivo o exportar archivos con el cable proporcionado.



### 3. Carga del dispositivo

Después de encender el dispositivo, el estado de la batería se visualiza en la pantalla. Cuando el nivel de batería sea bajo, cargue el dispositivo y compruebe que funcione correctamente.

La primera carga se debe realizar durante 10 horas con el dispositivo encendido.

**Nota:**

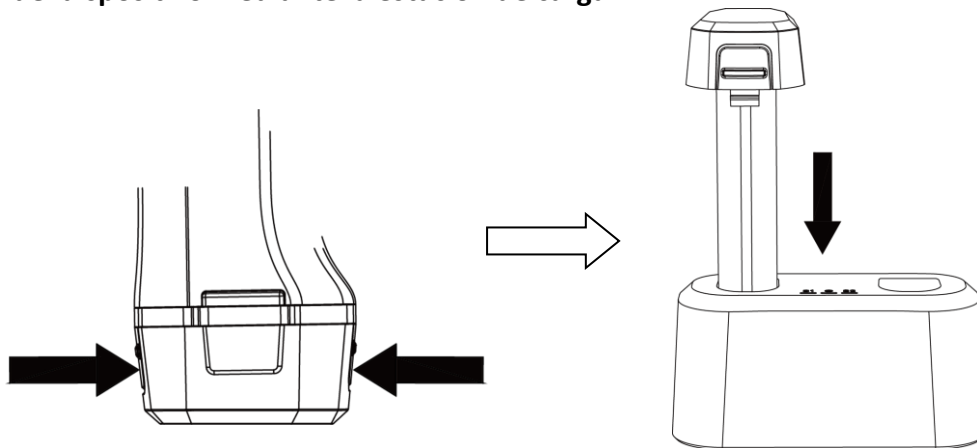
- La batería integrada que alimenta el reloj en tiempo real (RTC) del dispositivo puede descargarse durante el transporte o el almacenamiento prolongado. Se recomienda recargar la batería del reloj en tiempo real (RTC), de manera de preservar el buen funcionamiento de dicho reloj.
- Para cargar la batería del reloj en tiempo real (RTC), deben cumplirse los siguientes requisitos:
  - a) Las baterías recargables de iones de litio deben estar instaladas en el dispositivo.
  - b) El dispositivo debe mantenerse funcionando más de 10 horas antes de apagarlo.

#### 3.1 Carga del dispositivo mediante el conector para cable

**Pasos**

1. Levante la tapa del conector.
2. Conecte el cable y cargue el dispositivo.

#### 3.2 Carga del dispositivo mediante la estación de carga



**Pasos:**

1. Sujete el dispositivo y presione ambos gatillos de cierre de la batería del dispositivo.
2. Sujete los gatillos de cierre y tire de la base de la batería para extraerla.
3. Inserte la batería en la estación de carga. Puede ver el estado de carga a través del piloto luminoso de la estación de carga.
4. Cuando la batería esté completamente cargada, retírela de la base de carga.
5. Introduzca la batería en el dispositivo.

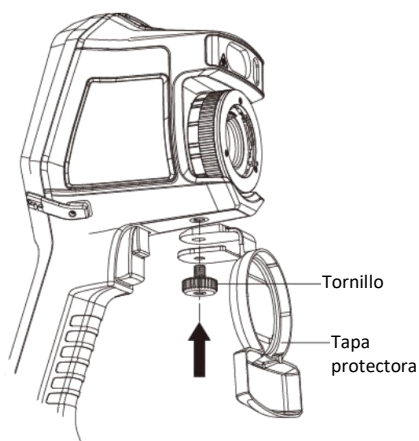
**Nota:** Cargue el dispositivo usando el cable y el adaptador de corriente suministrados por el fabricante (observando la tensión de entrada indicada en las especificaciones).

#### 4. Montaje de la cubierta protectora

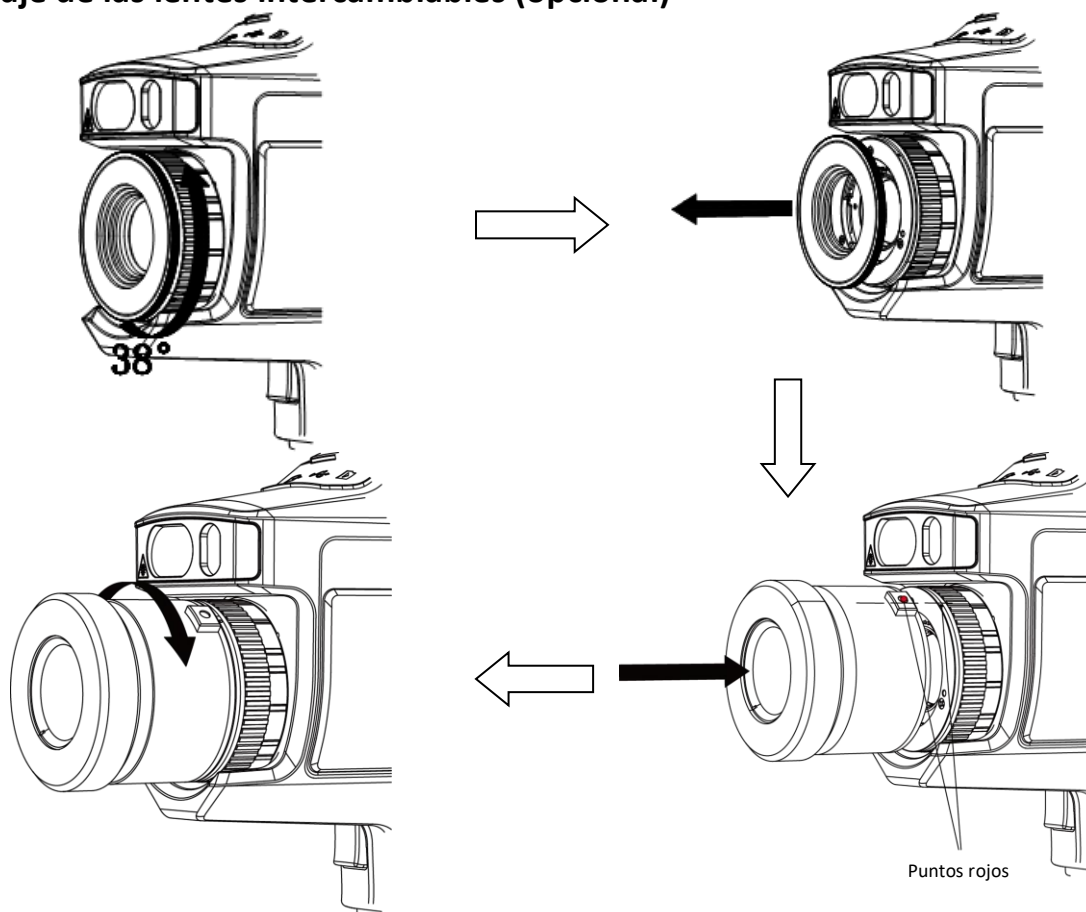
Siempre coloque la cubierta protectora cuando el dispositivo no esté en uso.

##### **Pasos**

1. Alinee el orificio roscado del dispositivo con el orificio de montaje de la cubierta de la lente.
2. Inserte el tornillo y gírelo en sentido horario para fijar la cubierta de la lente.



#### 5. Montaje de las lentes intercambiables (opcional)



##### **Pasos**

1. Gire el aro decorativo 38° en sentido antihorario.
2. Retire el aro decorativo.
3. Alinee el punto rojo de la lente intercambiable con el punto rojo del dispositivo y, seguidamente, gire la lente intercambiable en sentido horario para completar el montaje.
4. Gire la lente intercambiable en sentido horario para fijarla.

## Información legal

### Sobre este manual

Este manual incluye las instrucciones de utilización y gestión del producto. Las figuras, gráficos, imágenes y cualquier otra información que encontrará en lo sucesivo tienen únicamente fines descriptivos y aclaratorios. La información incluida en el manual está sujeta a cambios, sin aviso previo, debido a las actualizaciones de software u otros motivos. Busque la versión más actualizada de este manual en la página web de la empresa. Utilice este manual con la guía y asistencia de profesionales capacitados en el soporte del producto.

### Reconocimiento de marcas comerciales

Las marcas comerciales y logotipos mencionados son propiedad de sus respectivos dueños.

### AVISOS LEGALES

EN LA MEDIDA MÁXIMA PERMITIDA POR LAS LEYES APLICABLES, ESTE MANUAL Y EL PRODUCTO DESCRITO —INCLUIDOS SU HARDWARE, SOFTWARE Y FIRMWARE— SE SUMINISTRAN «TAL CUAL» Y «CON TODOS SU FALLOS Y ERRORES». NUESTRA COMPAÑÍA NO OFRECE GARANTÍAS, EXPLÍCITAS O IMPLÍCITAS, INCLUIDAS SIN LIMITACIÓN, COMERCIALIZACIÓN, CALIDAD SATISFACTORIA O IDONEIDAD PARA UN PROPÓSITO EN PARTICULAR. EL USO QUE HAGA DEL PRODUCTO CORRE BAJO SU ÚNICO RIESGO. EN NINGÚN CASO NUESTRA COMPAÑÍA SE RESPONSABILIZARÁ ANTE USTED DE CUALQUIER DAÑO ESPECIAL, CONSECUENCIAL, INCIDENTAL O INDIRECTO, INCLUYENDO, ENTRE OTROS, LOS DAÑOS POR PÉRDIDAS DE BENEFICIOS DE NEGOCIOS, INTERRUPCIÓN DE NEGOCIOS O PÉRDIDAS DE DATOS, CORRUPCIÓN DE SISTEMAS O PÉRDIDA DE DOCUMENTACIÓN, YA SEA POR INCUMPLIMIENTO DE CONTRATO, AGRAVIO (INCLUYENDO NEGLIGENCIA), RESPONSABILIDAD DEL PRODUCTO, O DE OTRA MANERA, EN RELACIÓN CON EL USO DEL PRODUCTO, INCLUSO SI NUESTRA COMPAÑÍA HA SIDO ADVERTIDO DE LA POSIBILIDAD DE TALES DAÑOS O PÉRDIDAS.

USTED RECONOCE QUE LA NATURALEZA DE INTERNET PROPORCIONA RIESGOS DE SEGURIDAD INHERENTES Y NUESTRA EMPRESA NO ASUMIRÁ NINGUNA RESPONSABILIDAD DEBIDA A UNA OPERACIÓN ANORMAL, FILTRACIÓN DE PRIVACIDAD O CUALQUIER OTRO DAÑO RESULTANTE DE UN CIBERATAQUE, ATAQUE INFORMÁTICO, INSPECCIÓN DE VIRUS U OTRO RIESGO DE SEGURIDAD DE INTERNET; SIN EMBARGO, NUESTRA EMPRESA PROPORCIONARÁ LA ASISTENCIA TÉCNICA NECESARIA DE FORMA OPORTUNA SI FUERA NECESARIO. USTED ACEPTA USAR ESTE PRODUCTO DE CONFORMIDAD CON TODAS LAS LEYES APLICABLES Y SOLO USTED ES EL ÚNICO RESPONSABLE DE ASEGURAR QUE EL USO CUMPLA CON DICHAS LEYES. EN ESPECIAL, USTED ES RESPONSABLE DE USAR ESTE PRODUCTO DE FORMA QUE NO INFRINJA LOS DERECHOS DE TERCEROS, INCLUYENDO, DE MANERA ENUNCIATIVA MAS NO LIMITATIVA, DERECHOS DE PUBLICIDAD, DERECHOS DE PROPIEDAD INTELECTUAL, DERECHOS RELATIVOS A LA PROTECCIÓN DE DATOS Y OTROS DERECHOS RELATIVOS A LA PRIVACIDAD. NO UTILIZARÁ ESTE PRODUCTO PARA NINGÚN USO FINAL PROHIBIDO, INCLUYENDO EL DESARROLLO O LA PRODUCCIÓN DE ARMAS DE DESTRUCCIÓN MASIVA, EL DESARROLLO O PRODUCCIÓN DE ARMAS QUÍMICAS O BIOLÓGICAS, NINGUNA ACTIVIDAD EN EL CONTEXTO RELACIONADO CON ALGÚN EXPLOSIVO NUCLEAR O EL CICLO DE COMBUSTIBLE NUCLEAR INSEGURO O EN APOYO DE ABUSOS DE LOS DERECHOS HUMANOS.

EN CASO DE HABER CONFLICTO ENTRE ESTE MANUAL Y LA LEGISLACIÓN VIGENTE, ESTA ÚLTIMA PREVALECE.

### Información normativa

#### Declaración de conformidad de la UE



Este producto y, cuando corresponda, los accesorios incluidos, también tienen la marca "CE" y por tanto cumplen los estándares europeos armonizados enumerados bajo la directiva de CEM 2014/30/UE, la directiva RoHS 2011/65/UE



2012/19/UE (directiva RAEE, residuos de aparatos eléctricos y electromagnéticos): En la Unión Europea, los productos marcados con este símbolo no pueden ser desechados en el sistema de basura municipal sin recogida selectiva. Para un reciclaje adecuado, entregue este producto en el lugar de compra del equipo nuevo equivalente o deshágase de él en el punto de recogida designado a tal efecto. Para obtener más información, visite el sitio web [www.recyclethis.info](http://www.recyclethis.info).



2006/66/CE (directiva sobre baterías): Este producto lleva una batería que no puede ser desechada en el sistema municipal de basuras sin recogida selectiva dentro de la Unión Europea. Consulte la documentación del producto para ver la información específica de la batería. La batería lleva marcado este símbolo, que incluye unas letras indicando si contiene cadmio (Cd), plomo (Pb), o mercurio (Hg). Para un reciclaje adecuado, entregue la batería a su vendedor o llévela al punto de recogida de basuras designado a tal efecto. Para obtener más información, visite el sitio web [www.recyclethis.info](http://www.recyclethis.info).

## Instrucciones de seguridad

Estas instrucciones están destinadas a garantizar que el usuario pueda utilizar el producto correctamente para evitar peligros o pérdidas materiales.

### Leyes y normativas

- El uso del producto ha de cumplir estrictamente con las normas de seguridad eléctrica locales.

### Transporte

- Guarde el dispositivo en su paquete original o en uno similar cuando lo transporte.
- Guarde el embalaje en caso de que lo necesite en el futuro. En el caso de que ocurra algún fallo, deberá devolver el dispositivo a la fábrica con el envoltorio original. En caso de transporte sin el envoltorio original podría resultar en daños en el dispositivo y la empresa no se hará responsable.
- No deje caer el producto y evite golpearlo. Mantenga el dispositivo alejado de interferencias magnéticas.

### Fuente de alimentación

- La tensión de entrada debe cumplir con los requisitos de fuente de alimentación de potencia limitada (5 V<sub>CC</sub> y 940 mA) de conformidad con la norma IEC61010-1. Consulte las especificaciones técnicas para obtener información detallada.
- Asegúrese de que el enchufe esté correctamente conectado a la toma de corriente.
- NO conecte múltiples dispositivos a un mismo adaptador de corriente para evitar el sobrecalentamiento y los riesgos de incendio por sobrecarga.

### Batería

- La batería integrada no debe desmontarse. Póngase en contacto con el fabricante para solicitar las reparaciones necesarias.
- NO cargue otros tipos de baterías con el cargador suministrado. Confirme que no haya material inflamable a menos de 2 m del cargador durante la carga.
- Para almacenar la batería durante un periodo prolongado, compruebe que esté completamente cargada cada seis meses, de manera de garantizar la calidad de la misma. De lo contrario, podrían ocurrir daños.
- NO coloque la batería cerca de fuentes de calor o del fuego. Evite la luz directa del sol.
- Tragar accidentalmente la batería puede dar lugar a quemaduras químicas.
- Mantenga la batería fuera del alcance de los niños.
- Tras apagar el dispositivo con la batería completamente cargada, el ajuste de la hora se mantiene durante hasta 15 días.
- Al usar por primera vez, encienda el dispositivo y cargue la batería del reloj en tiempo real (RTC) con la batería de iones de litio durante más de 10 horas.

- El voltaje de la batería es de 3,6 V y su capacidad, 6700 mAh.
- La batería cumple con la norma UL2054.

### **Mantenimiento**

- Si el producto no funciona correctamente, póngase en contacto con su distribuidor o con el centro de servicio técnico más cercano. No nos haremos responsables de los problemas derivados de una reparación o mantenimiento no autorizados.
- Algunos componentes del dispositivo (por ejemplo, el capacitor electrolítico) deben reemplazarse de forma periódica. La vida útil promedio puede variar, por lo que se recomienda una revisión periódica. Contacte con su vendedor para obtener más información.
- Limpie cuidadosamente el dispositivo con un paño limpio y una pequeña cantidad de etanol si fuese necesario.
- Si se utiliza el equipo de una manera no especificada por el fabricante, la protección provista por el dispositivo podría verse perjudicada.
- Se recomienda calibrar el dispositivo una vez al año. Para ello, póngase en contacto con el distribuidor de su localidad para informarse acerca de los centros de mantenimiento.
- Tenga en cuenta que el límite real del puerto USB 3.0 PowerShare puede variar en función de la marca del ordenador, lo que podría dar lugar a problemas de incompatibilidad. Por lo tanto, se recomienda usar los puertos USB 3.0 y USB 2.0 corrientes si el ordenador no reconoce el dispositivo USB al conectarlo a un puerto USB 3.0 PowerShare.

### **Entorno de uso**

- NO exponga el dispositivo a entornos excesivamente calientes, fríos, polvorientos, corrosivos, salinos-alcalinos o húmedos. Compruebe que el entorno de uso se adapte a los requisitos del dispositivo. La temperatura de funcionamiento debe oscilar entre -20 °C y 50 °C (-4 °F y 122 °F), y la humedad relativa no debe superar el 90 %.
- Para garantizar el uso seguro de este dispositivo, solo debe utilizarse en zonas que no sobrepasen los 2000 m sobre el nivel del mar.
- Coloque el dispositivo en un entorno seco y con buena ventilación.
- NO exponga el dispositivo a radiaciones electromagnéticas intensas ni a entornos polvorientos.
- NO oriente la lente hacia el sol ni hacia otras luces brillantes.
- Cuando utilice equipos láser, asegúrese de que el objetivo del dispositivo no quede expuesto al haz láser, ya que podría quemarse.
- El dispositivo es apropiado para su uso en interiores y al aire libre; no obstante, no lo exponga a la humedad.
- El dispositivo cuenta con un nivel de protección IP 54.
- El grado de contaminación es 2.

### **Emergencia**

- Si el dispositivo emite humo, olor o ruido, apáguelo inmediatamente, desenchufe el cable de alimentación y póngase en contacto con el servicio técnico.

## Láser



Advertencia: La radiación láser emitida por el dispositivo puede causar lesiones oculares, quemaduras cutáneas o inflamar sustancias. Evite dirigir el láser directamente a los ojos. Antes de activar la función de luz suplementaria, compruebe que no haya personas ni sustancias inflamables frente a la lente láser. La longitud de onda es de 650 nm y la potencia, inferior a 1 MW. El láser cumple con la norma IEC60825-1:2014.

Mantenimiento del láser: El láser no requiere un mantenimiento regular. Si el láser no funciona, es necesario reemplazar el conjunto del láser en la fábrica bajo garantía. Mantenga el dispositivo apagado al reemplazar el conjunto del láser. Peligro: El uso de controles o ajustes, o la realización de procedimientos distintos de los especificados en este documento puede dar lugar a una exposición peligrosa a la radiación.

AVISO DE CONFORMIDAD: Los productos de las series térmicas podrían estar sujetos a controles de exportación en algunos países o regiones; entre ellos, por ejemplo, los Estados Unidos, la Unión Europea, el Reino Unido y/o otros países miembros del Arreglo de Wassenaar. Consulte con algún experto en cumplimiento normativo y legal o con las autoridades gubernamentales locales para cumplir con los requisitos de licencia de exportación necesarios si desea transferir, exportar o reexportar los productos de las series térmicas entre distintos países.

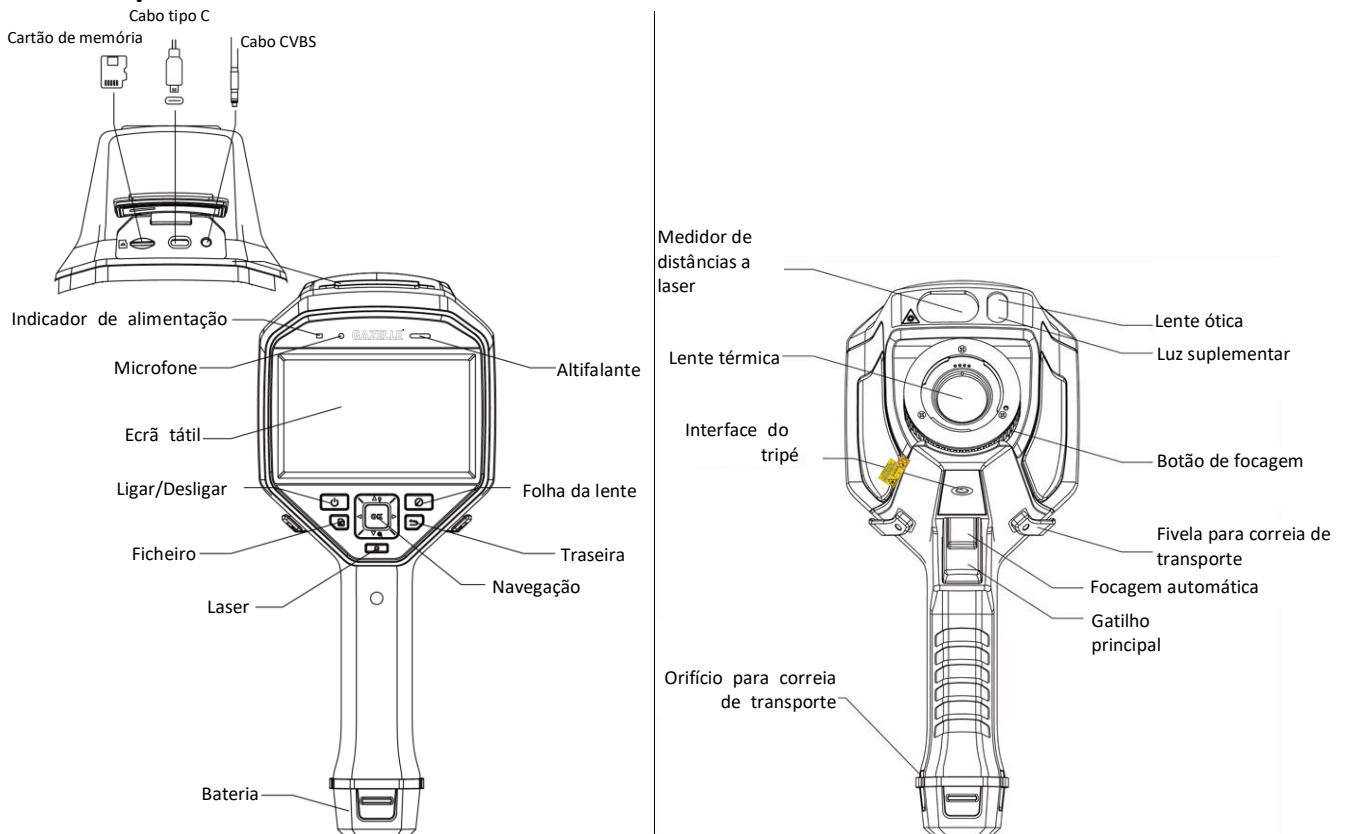
## Português

### 1. Breve descrição

A Câmara termográfica portátil é uma câmara com imagens óticas e imagens térmicas. Pode obter imagens termográficas, medição de distâncias, gravação de vídeo, captura de instantâneos, alarme, etc. O detetor de IV de alta sensibilidade integrado e o sensor de elevado desempenho detetam as alterações de temperatura e medem a temperatura em tempo real. O intervalo de medição da temperatura é entre -20 °C e 650 °C, com uma precisão de  $\pm 2$  °C ou 2%. Ajuda os utilizadores a detetar todos os pormenores e a reduzir as suas perdas materiais.

O dispositivo suporta a visualização em direto, a captura e a gravação no seu telefone.

## 2. Aspeto



**Nota:** o sinal de aviso encontra-se debaixo do laser, à esquerda do dispositivo.

Componente	Função
Botão de navegação	Modo de menu: ● Prima $\nabla$ , $\triangle$ , $\triangleright$ , e $\triangleleft$ para seleccionar os parâmetros. ● Prima <b>OK</b> para confirmar.
	Modo não-menu: ● Prima $\triangle$ para ligar/desligar a luz suplementar LED. ● Prima $\nabla$ para iniciar o zoom digital.
Botão de laser	Manter o botão premido para ligar o laser e libertar o botão para o desligar.
Botão de folha da lente	Cobrir a lente para efetuar a correção.
Botão Retroceder	Sair do menu ou regressar ao menu anterior.
Botão de focagem	Ajustar a distância focal da lente.
Acionar	Prima o gatilho para captar ou ler o código QR. Segurar no gatilho para gravar vídeos.
Focagem automática	Prima o gatilho para ligar/desligar a função de focagem automática.
Interface de cabos	Carregue o dispositivo ou exporte ficheiros com o cabo fornecido.

## 3. Carregar o dispositivo

Após o arranque do dispositivo, a OSD (apresentação no ecrã) mostra o estado da bateria. Quando a bateria estiver fraca, carregue o dispositivo e garanta que este funciona adequadamente.

No primeiro carregamento, carregue o dispositivo durante 10 horas com o mesmo ligado.

**Nota:**

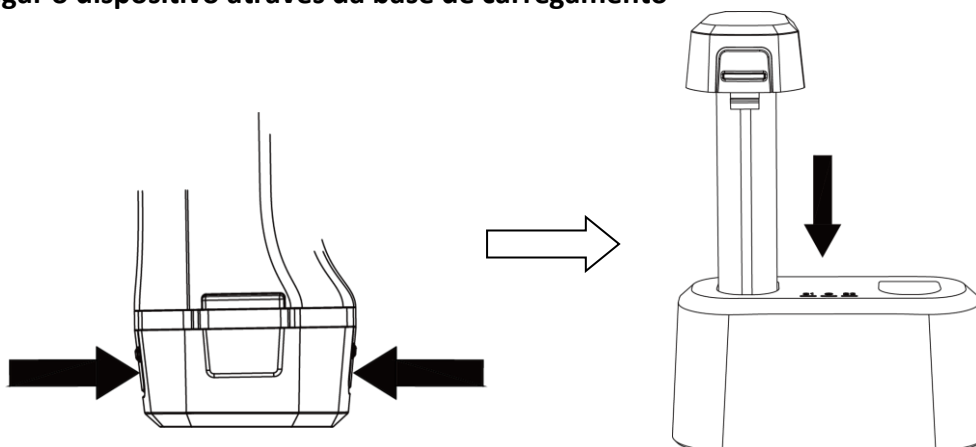
- a bateria de células incorporada que alimenta o relógio em tempo real (RTC) do dispositivo pode drenar durante um transporte ou armazenamento prolongados. Recomenda-se o recarregamento da bateria do RTC para o bom funcionamento do relógio do dispositivo.
- Para carregar totalmente a bateria do RTC é necessário satisfazer os seguintes requisitos:
  - a) a bateria de lítio recarregável deve encontrar-se instalada no dispositivo.
  - b) o dispositivo deve continuar a funcionar durante mais 10 horas antes de encerrar.

### 3.1 Carregar dispositivo através da interface de cabos

**Passos**

1. Levante a cobertura da interface.
2. Ligue o cabo e carregue o dispositivo.

### 3.2 Carregar o dispositivo através da base de carregamento



**Passos:**

1. Segure no dispositivo e prima os dois trincos de fixação da bateria do dispositivo.
2. Segure nos trincos de bloqueio e extraia a base da bateria para retirar a bateria.
3. Insira a bateria na base de carregamento. Poderá ver o estado de carregamento na lâmpada piloto na base de carregamento.
4. Quando a bateria estiver totalmente carregada, extraia-a da base de carregamento.
5. Insira a bateria no dispositivo.

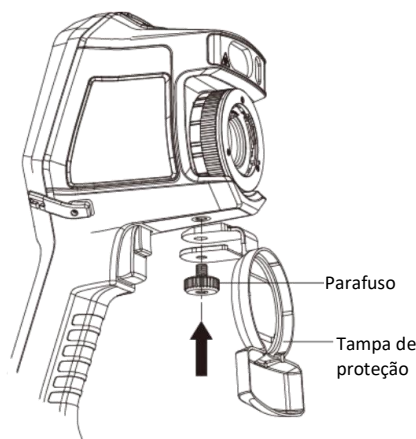
**Nota:** Carregue o dispositivo com o cabo e o adaptador de alimentação fornecidos pelo fabricante (ou de acordo com a tensão de entrada indicada nas especificações).

## 4. Montar a tampa de proteção

Coloque a tampa de proteção sempre que o dispositivo não estiver a ser utilizado.

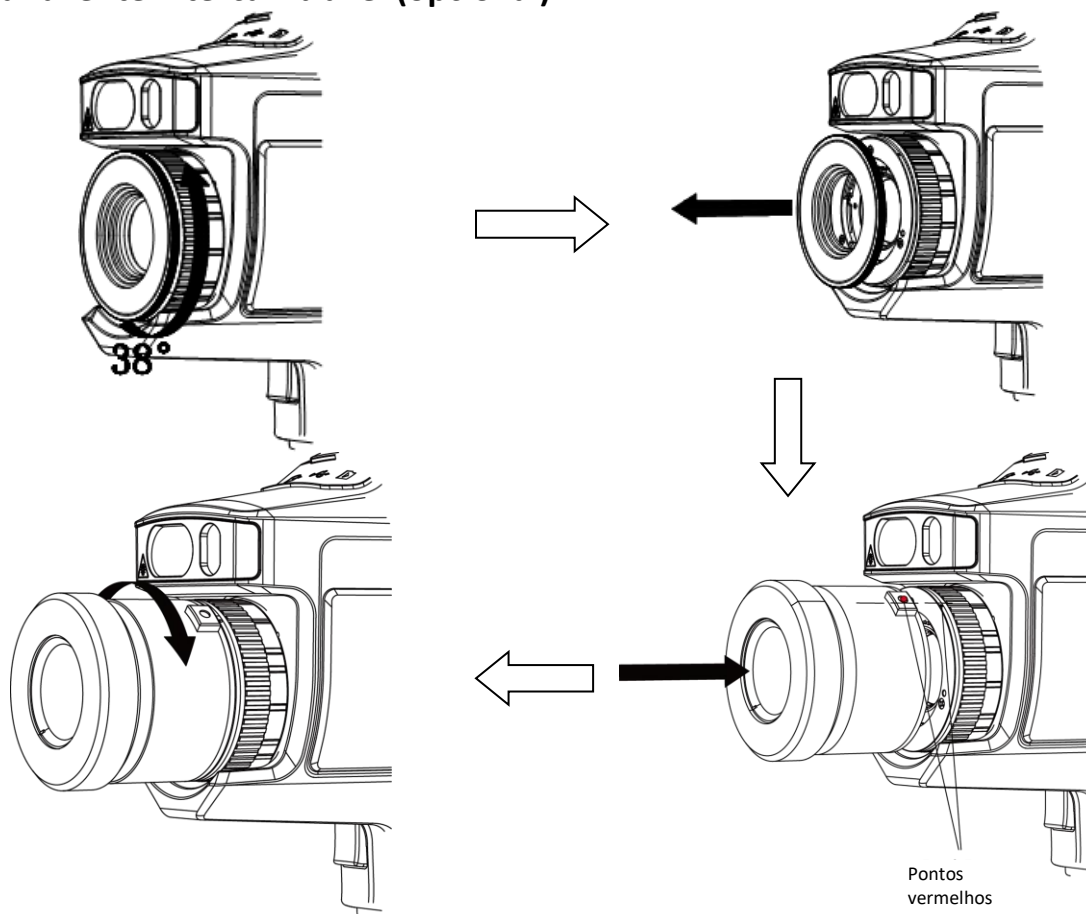
**Passos**

1. Alinhe o orifício roscado do dispositivo com o orifício de montagem da tampa da lente.
2. Insira o parafuso e gire-o no sentido dos ponteiros do relógio para fixar a tampa da lente.





## 5. Montar a lente intercambiável (opcional)



### **Passos**

1. Gire o anel decorativo 38 no sentido contrário ao dos ponteiros do relógio.
2. Remova o anel decorativo.
3. Alinhe os dois pontos vermelhos na lente intercambiável e no dispositivo e, em seguida, gire a lente intercambiável no sentido dos ponteiros do relógio para concluir a montagem.
4. Gire a lente intercambiável no sentido dos ponteiros do relógio para a fixar.

### **Informação legal**

Acerca deste Manual

O Manual inclui instruções para utilizar e gerir o produto. As fotografias, os gráficos, as imagens e todas as outras informações doravante apresentadas destinam-se apenas a fins de descritivos e informativos. As informações que constam do Manual estão sujeitas a alteração, sem aviso prévio, devido a atualizações de firmware ou a outros motivos. Pode encontrar a versão mais recente deste Manual no website da empresa. Utilize este Manual sob orientação e com a assistência de profissionais formados neste Produto.

### **Reconhecimento de marcas comerciais**

As marcas comerciais e os logotipos mencionados são da propriedade dos respetivos titulares.

### **EXCLUSÃO DE RESPONSABILIDADE LEGAL**

NA MEDIDA MÁXIMA PERMITIDA PELA LEI APLICÁVEL, ESTE MANUAL E O PRODUTO DESCRITO, COM O SEU HARDWARE, SOFTWARE E FIRMWARE, SÃO FORNECIDOS “TAL COMO ESTÃO” E “COM TODAS AS SUAS FALHAS E ERROS”. A NOSSA EMPRESA NÃO DÁ GARANTIAS, EXPRESSAS OU IMPLÍCITAS, INCLUINDO E SEM LIMITAÇÃO, DA COMERCIALIZAÇÃO, QUALIDADE SATISFATÓRIA OU ADEQUAÇÃO A UM DETERMINADO FIM. A SUA UTILIZAÇÃO

DESTE PRODUTO É FEITA POR SUA CONTA E RISCO. A NOSSA EMPRESA NÃO SERÁ RESPONSÁVEL EM CASO ALGUM POR QUAISQUER DANOS ESPECIAIS, CONSEQUENTES, ACIDENTAIS OU INDIRETOS, INCLUINDO, ENTRE OUTROS, DANOS POR PERDA DE LUCROS COMERCIAIS, INTERRUPTÃO DO NEGÓCIO OU PERDA DE DADOS, CORRUPÇÃO DOS SISTEMAS OU PERDA DE DOCUMENTAÇÃO, SEJA COM BASE NA VIOLAÇÃO CONTRATUAL, ATO ILÍCITO (INCLUINDO NEGLIGÊNCIA), RESPONSABILIDADE PELO PRODUTO, OU DE QUALQUER OUTRA FORMA, EM ASSOCIAÇÃO COM A UTILIZAÇÃO DO PRODUTO, MESMO SE A NOSSA EMPRESA TIVER SIDO AVISADA DA POSSIBILIDADE DE TAIS DANOS OU PERDAS.

O UTILIZADOR RECONHECE QUE A NATUREZA DA INTERNET COMPORTA RISCOS DE SEGURANÇA INERENTES E QUE A NOSSA EMPRESA NÃO SERÁ RESPONSABILIZADA PELO FUNCIONAMENTO ANORMAL, PERDA DE PRIVACIDADE OU OUTROS DANOS RESULTANTES DE ATAQUES INFORMÁTICOS, ATAQUES DE PIRATARIA, INFEÇÃO POR VÍRUS OU OUTROS RISCOS ASSOCIADOS À SEGURANÇA DA INTERNET. NO ENTANTO, A NOSSA EMPRESA PRESTARÁ APOIO TÉCNICO ATEMPADO, SE SOLICITADO.

O UTILIZADOR ACEITA UTILIZAR ESTE PRODUTO EM CONFORMIDADE COM TODAS AS LEIS APLICÁVEIS E SER O ÚNICO RESPONSÁVEL POR GARANTIR QUE A SUA UTILIZAÇÃO É CONFORME À LEI APLICÁVEL.

PARTICULARMENTE, O UTILIZADOR É O RESPONSÁVEL PELA UTILIZAÇÃO DESTE PRODUTO DE MODO QUE NÃO INFIRJA OS DIREITOS DE TERCEIROS, INCLUINDO, ENTRE OUTROS, OS DIREITOS DE PUBLICIDADE, DIREITOS DE PROPRIEDADE INTELECTUAL OU DE PROTEÇÃO DE DADOS, OU QUAISQUER OUTROS DIREITOS DE PRIVACIDADE.

O UTILIZADOR NÃO PODERÁ UTILIZAR ESTE PRODUTO PARA QUAISQUER UTILIZAÇÕES FINAIS PROIBIDAS, INCLUINDO O DESENVOLVIMENTO OU PRODUÇÃO DE ARMAS DE DESTRUIÇÃO MACIÇA, DESENVOLVIMENTO OU PRODUÇÃO DE QUÍMICOS OU ARMAS BIOLÓGICAS, QUAISQUER ATIVIDADES DESENVOLVIDAS NO ÂMBITO DE EXPLOSIVOS NUCLEARES OU CICLOS DE COMBUSTÍVEL NUCLEAR INSEGURO OU PARA APOIAR ABUSOS AOS DIREITOS HUMANOS.

NA EVENTUALIDADE DA OCORRÊNCIA DE ALGUM CONFLITO ENTRE ESTE MANUAL E A LEGISLAÇÃO APLICÁVEL, ESTA ÚLTIMA PREVALECE.

## Informações sobre as normas reguladoras

### Declaração de conformidade da UE



Este produto e, se aplicável, os acessórios fornecidos com o mesmo, têm a marcação "CE" e estão, por isso, em conformidade com os padrões europeus aplicáveis, indicados na diretiva CEM 2014/30/UE e na diretiva RSP 2011/65/UE.



2012/19/UE (Diretiva REEE): Os produtos com este símbolo não podem ser eliminados como resíduos urbanos indiferenciados na União Europeia. Para uma reciclagem adequada, devolva este produto ao seu fornecedor local quando adquirir um novo equipamento equivalente ou elimine-o através dos pontos de recolha adequados. Para mais informações, consulte: [www.recyclethis.info](http://www.recyclethis.info).



2006/66/CE (diretiva relativa a baterias): Este produto contém uma bateria que não pode ser eliminada como resíduo urbano indiferenciado na União Europeia. Consulte a documentação do produto para obter informações específicas acerca da bateria. A bateria está marcada com este símbolo, que poderá incluir inscrições para indicar a presença de cádmio (Cd), chumbo (Pb), ou mercúrio (Hg). Para reciclar o produto de forma adequada, devolva a bateria ao seu fornecedor ou coloque-a num ponto de recolha apropriado. Para mais informações, consulte: [www.recyclethis.info](http://www.recyclethis.info).

## Instruções de segurança

Estas instruções destinam-se a garantir que o utilizador possa utilizar o produto corretamente para evitar perigos ou perdas materiais.

### Legislação e regulamentos

- A utilização do produto deve estar em total conformidade com as normais locais de manuseamento de aparelhos elétricos.

### Transporte

- Mantenha o dispositivo na embalagem original ou similar sempre que o transportar.
- Depois da abertura da embalagem do produto, guarde todos invólucros, para uso posterior. Em caso de qualquer avaria, deve devolver o dispositivo à fábrica com o invólucro original. O transporte sem o invólucro original pode resultar em danos no dispositivo, sendo que a empresa não assumirá quaisquer responsabilidades.
- Não deixe o produto cair, nem o sujeite a impactos físicos. Mantenha o dispositivo longe de interferências magnéticas.

### Alimentação elétrica

- A tensão de entrada deve cumprir a Fonte de potência limitada (5 V CC, 940 mA), de acordo com a norma IEC61010-1. Consulte as especificações técnicas para obter informações detalhadas.
- Certifique-se de que a ficha está devidamente ligada à tomada.
- NÃO ligue vários dispositivos a um adaptador de energia, para evitar o superaquecimento e riscos de incêndio provocados por sobrecarga.

### Bateria

- A bateria integrada não pode ser desmontada. Contacte o fabricante caso necessite de uma reparação.
- NÃO carregue outros tipos de baterias com o carregador fornecido. Certifique-se de que não existe material inflamável no raio de dois metros do carregador enquanto o carregamento é efetuado.
- Em caso de armazenamento prolongado da bateria, certifique-se de que esta é totalmente carregada de 6 em 6 meses, garantindo, assim, a sua qualidade. Caso contrário, poderão ocorrer danos.
- NÃO coloque a bateria perto de uma fonte de calor ou do fogo. Evite a luz solar direta.
- NÃO engula a bateria para evitar queimaduras químicas.
- NÃO coloque a bateria ao alcance das crianças.
- Se o dispositivo estiver desligado e a bateria do RTC estiver totalmente carregada, as definições das horas podem ser guardadas durante 15 dias.
- Na primeira utilização, ligue o dispositivo e carregue a bateria RTC com a bateria de lítio durante mais de 10 horas.
- A tensão da bateria é de 3,6 V e a capacidade da bateria é de 6700 mAh.
- A bateria é certificada pela norma UL2054.

### Manutenção

- Se o produto não funcionar corretamente, contacte o seu fornecedor ou o centro de assistência mais próximo. Não assumimos qualquer responsabilidade por problemas causados por reparações ou manutenções não autorizadas.
- Alguns componentes do dispositivo (por exemplo, condensador eletrolítico) necessita de substituição regular. A duração média varia, portanto, recomenda-se verificação periódica. Entre em contacto com o respetivo revendedor para obter detalhes.
- Limpe o dispositivo suavemente com um pano limpo e uma pequena quantidade de etanol, se necessário.
- Se o equipamento for utilizado de uma forma não especificada pelo fabricante, a proteção providenciada pelo dispositivo poderá ser afetada.

- Recomendamos que entregue o dispositivo de volta para calibração uma vez por ano, e entre em contacto com o revendedor local para obter informações sobre os pontos de manutenção.
- Saiba que o limite de corrente da porta USB 3.0 PowerShare pode variar entre as diferentes marcas de PC, o que, provavelmente, resultará num problema de incompatibilidade. Assim, aconselhamos a utilização regular da porta USB 3.0 ou USB 2.0 se o dispositivo USB não for detetado pelo PC através da porta USB 3.0 PowerShare.

### Ambiente da utilização

- NÃO exponha o dispositivo a ambientes extremamente quentes, frios, poeirentos, corrosivos, alcalino salinos ou húmidos. Certifique-se de que o ambiente de funcionamento do dispositivo cumpre os requisitos do mesmo. A temperatura de funcionamento deve ser de -20 °C a 50 °C e a humidade de funcionamento deve ser igual ou inferior a 90%.
- Este dispositivo só pode ser utilizado em segurança em regiões abaixo dos 2000 metros acima do nível do mar.
- Coloque o dispositivo num ambiente seco e bem ventilado.
- NÃO exponha o dispositivo a radiação eletromagnética elevada nem a ambientes com pó.
- NÃO direcione a lente para o sol nem para qualquer outra luz brilhante.
- Quando estiver a utilizar qualquer equipamento a laser, verifique se a lente do dispositivo não se encontra exposta ao feixe de laser, caso contrário pode queimar.
- O dispositivo é adequado para uma utilização interior e exterior, mas não deve expô-lo a condições com humidade.
- O nível de proteção é IP 54.
- O nível de poluição é 2.

### Emergência

- Caso o dispositivo emita fumo, odores ou ruídos, desligue a alimentação elétrica de imediato, retire o cabo de alimentação da tomada e contacte o centro de assistência.

### Laser

Aviso: A radiação laser emitida pelo dispositivo pode provocar lesões oculares, queimaduras na pele ou a combustão de substâncias inflamáveis. Não permita que o laser direto incida nos olhos. Antes de ativar a função de Luz suplementar, certifique-se de que não existem pessoas ou substâncias inflamáveis diante da lente laser. O comprimento de onda é de 650 nm e a potência é inferior a 1 mW. O laser cumpre a norma IEC60825-1:2014.



Manutenção do laser: não é necessário proceder à manutenção regular do laser. Se o laser não funcionar, o conjunto do laser deve ser substituído na fábrica ao abrigo da garantia. Mantenha o dispositivo desligado quando proceder à substituição do conjunto do laser. Cuidado-A utilização de controlos ou ajustes ou o desempenho de procedimentos que não aqueles aqui especificados pode resultar numa exposição à radiação perigosa.

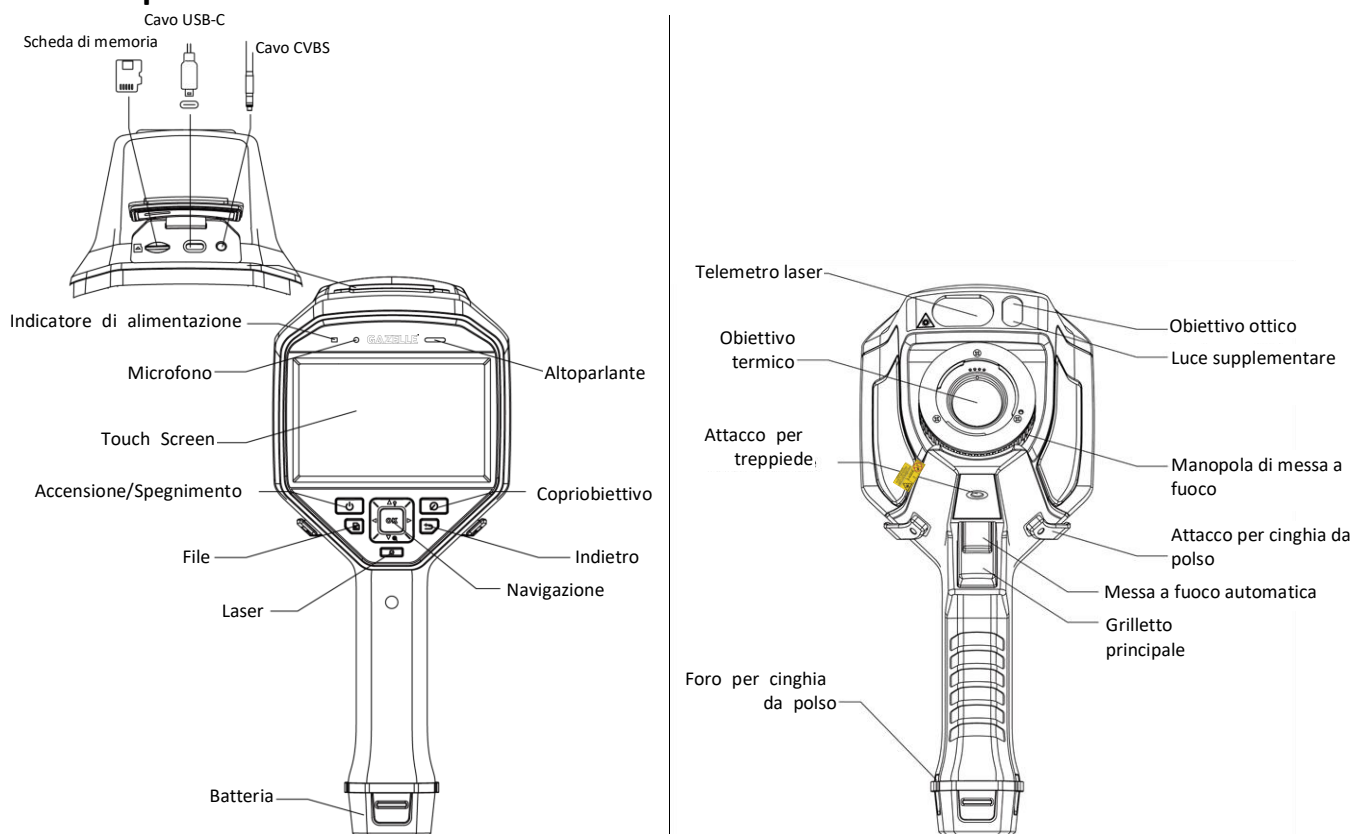
**AVISO DE CONFORMIDADE:** Os produtos da série térmica poderão estar sujeitos a controlos de exportação em vários países ou regiões, incluindo sem limite, os Estados Unidos da América, a União Europeia, o Reino Unido e/ou outros países-membro do Acordo de Wassenaar. Consulte o seu especialista em legislação ou em conformidade ou as autoridades locais para saber os requisitos de licença de exportação necessários se pretender transferir, exportar, voltar a exportar os produtos da série térmica entre países diferentes.

## 1. Descrizione sintetica

La termocamera portatile consente di acquisire sia immagini ottiche che immagini termiche. È possibile utilizzarla per termografie, misurazioni delle distanze, registrazioni video, acquisizione di immagini, allarmi ecc. Il rilevatore IR ad alta sensibilità integrato e il sensore ad alte prestazioni rilevano le variazioni di temperatura e misurano la temperatura in tempo reale. L'intervallo di misurazione della temperatura varia da -20 °C a 650 °C (da -4 °F a 1202 °F) con una precisione di ±2 °C (± 3,6 °F) o del 2%. Aiuta gli utenti a rilevare potenziali rischi, limitando la perdita di beni.

Il dispositivo supporta la visualizzazione live, l'acquisizione e la registrazione sul telefono.

## 2. Aspetto



**Nota:** il segnale di pericolo si trova sotto al laser, sul lato sinistro del dispositivo.

Componente	Funzione
Tasto di navigazione	Modalità menu: <ul style="list-style-type: none"> <li>● Premere ▽, △, ▷ e ◁ per selezionare i parametri.</li> <li>● Premere <b>OK</b> per confermare.</li> </ul>
	Modalità senza menu: <ul style="list-style-type: none"> <li>● Premere △ per accendere/spegnere la luce LED supplementare.</li> <li>● Premere ▽ per avviare lo zoom digitale.</li> </ul>
Pulsante Laser	Tenere premuto il pulsante per accendere il laser, rilasciare il pulsante per spegnere il laser.
Pulsante copri obiettivo	Copre l'obiettivo per eseguire la correzione.
Pulsante indietro	Uscita dal menu o ritorno al menu precedente.

Componente	Funzione
Manopola di messa a fuoco	Regola la distanza focale dell'obiettivo.
Pulsante di attivazione	Premere il pulsante per acquisire o scansionare il codice QR. Tenere premuto il pulsante per registrare video.
Messa a fuoco automatica	Premere il pulsante per attivare/disattivare la funzione di messa a fuoco automatica.
Interfaccia cavo	Caricare il dispositivo o esportare i file con il cavo in dotazione.

### 3. Caricamento del dispositivo

All'avvio del dispositivo viene visualizzato lo stato della batteria. Quando la batteria è scarica, caricare il dispositivo e verificare che funzioni correttamente.

La prima volta, far caricare il dispositivo per 10 ore quando è acceso.

**Nota:**

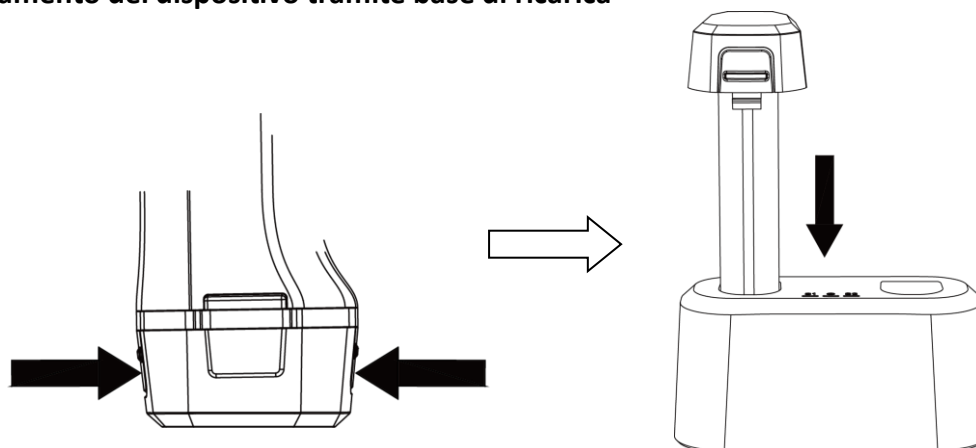
- la batteria integrata che alimenta l'orologio in tempo reale (RTC) del dispositivo può consumarsi se viene trasportata o riposta per lunghi periodi di tempo. È consigliabile ricaricare la batteria RTC per garantire un corretto funzionamento dell'orologio del dispositivo.
- Per caricare completamente la batteria RTC, è necessario rispettare le seguenti condizioni:
  - a) le batterie al litio ricaricabili devono essere installate sul dispositivo;
  - b) il dispositivo deve rimanere in funzione per più di 10 ore prima di essere spento.

#### 3.1 Caricamento del dispositivo tramite cavo

**Procedura**

1. Sollevare la protezione dell'interfaccia.
2. Collegare il cavo e caricare il dispositivo.

#### 3.2 Caricamento del dispositivo tramite base di ricarica



**Procedura:**

1. Tenendo il dispositivo in mano, premere entrambi i fermi di blocco della batteria del dispositivo.
2. Tenere i fermi di blocco e tirare la base della batteria per estrarre quest'ultima.
3. Inserire la batteria nella base di ricarica. La lampada spia sulla base di ricarica consente di controllare lo stato della carica.
4. Quando la batteria è completamente carica, estrarla dalla base di ricarica.
5. Inserire la batteria nel dispositivo.

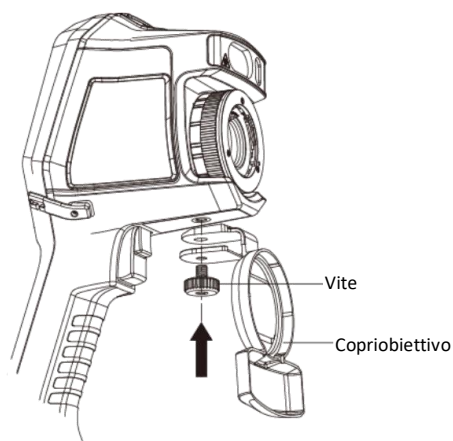
**Nota:** caricare il dispositivo utilizzando il cavo e l'alimentatore forniti dal produttore (o rispettando la tensione in ingresso indicata nelle specifiche tecniche).

#### 4. Montaggio del copriobiettivo

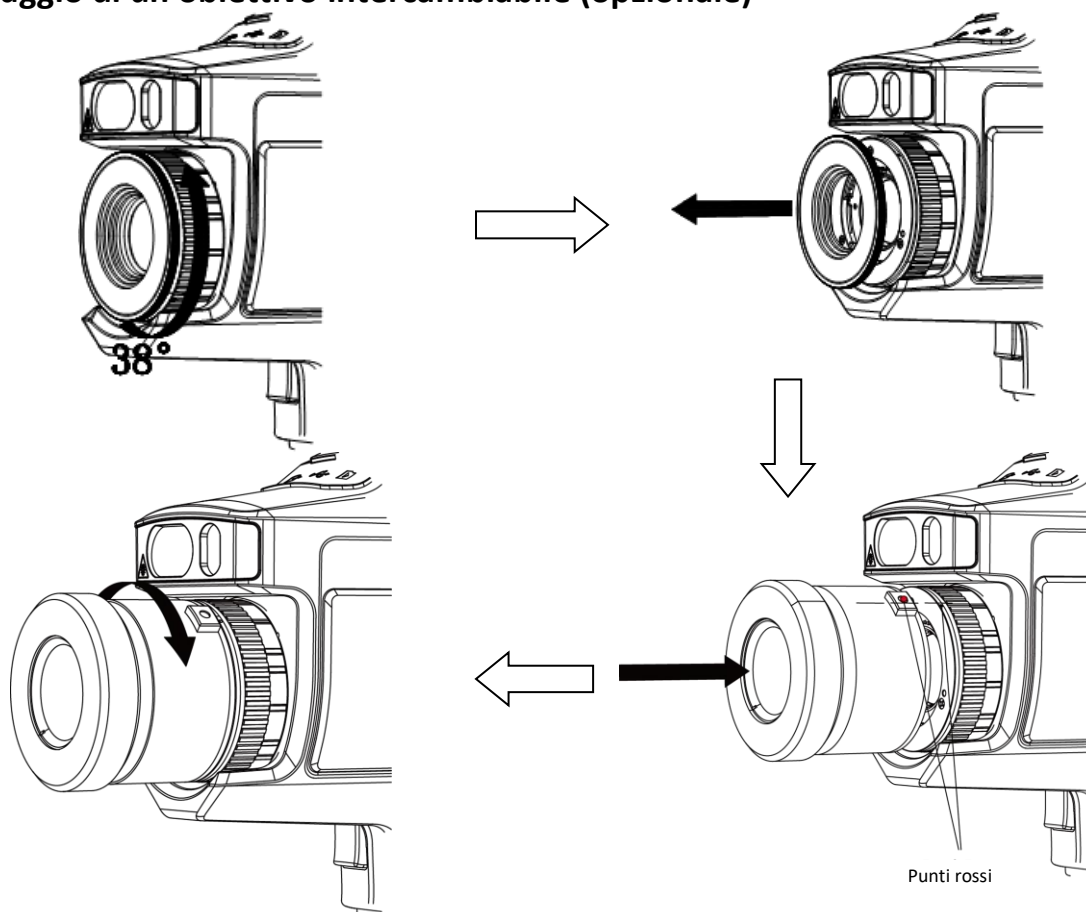
Applicare il copriobiettivo quando il dispositivo non viene utilizzato.

##### **Procedura**

1. Allineare il foro filettato del dispositivo al foro di montaggio del copriobiettivo.
2. Inserire la vite e ruotarla in senso orario per fissare il copriobiettivo.



#### 5. Montaggio di un obiettivo intercambiabile (opzionale)



##### **Procedura**

1. Ruotare l'anello decorativo di 38° in senso antiorario.
2. Rimuovere l'anello decorativo.
3. Allineare i due punti rossi presenti sull'obiettivo intercambiabile e sul dispositivo, quindi ruotare l'obiettivo intercambiabile in senso orario per completarne il montaggio.
4. Fissare l'obiettivo intercambiabile ruotandolo in senso orario.

## Informazioni legali

Informazioni sul presente Manuale

Il presente Manuale contiene le istruzioni per l'uso e la gestione del prodotto. Le illustrazioni, i grafici e tutte le altre informazioni che seguono hanno solo scopi illustrativi ed esplicativi. Le informazioni contenute nel Manuale sono soggette a modifiche senza preavviso in seguito ad aggiornamenti del firmware o per altri motivi. Scaricare la versione più recente del presente Manuale dal sito web dell'azienda

Utilizzare il presente Manuale con la supervisione e l'assistenza di personale qualificato nel supporto del prodotto.

### Titolarità dei marchi

I marchi registrati e i loghi menzionati appartengono ai rispettivi proprietari.

### ESCLUSIONE DI RESPONSABILITÀ

NELLA MISURA MASSIMA CONSENTITA DALLA LEGGE VIGENTE, QUESTO MANUALE E IL PRODOTTO DESCRITTO, CON IL SUO HARDWARE, SOFTWARE E FIRMWARE, SONO FORNITI "COSÌ COME SONO" E "CON TUTTI I DIFETTI E GLI ERRORI". LA NOSTRA AZIENDA NON RILASCI ALCUNA GARANZIA, NÉ ESPRESSA NÉ IMPLICITA COME, SOLO A TITOLO DI ESEMPIO, IN RELAZIONE A COMMERCIALIZZABILITÀ, QUALITÀ SODDISFACENTE O IDONEITÀ PER UN USO SPECIFICO. L'UTENTE UTILIZZA IL PRODOTTO A PROPRIO RISCHIO. LA NOSTRA AZIENDA DECLINA QUALSIASI RESPONSABILITÀ VERSO L'UTENTE IN RELAZIONE A DANNI SPECIALI, CONSEGUENZIALI E INCIDENTALI, COMPRESI, TRA GLI ALTRI, I DANNI DERIVANTI DA MANCATO PROFITTO, INTERRUZIONE DELL'ATTIVITÀ O PERDITA DI DATI, DANNEGGIAMENTO DI SISTEMI O PERDITA DI DOCUMENTAZIONE, DERIVANTI DA INADEMPIENZA CONTRATTUALE, ILLECITO (COMPRESA LA NEGLIGENZA), RESPONSABILITÀ PER DANNI AI PRODOTTI O ALTRIMENTI IN RELAZIONE ALL'USO DEL PRODOTTO, ANCHE QUALORA LA NOSTRA AZIENDA SIA STATA INFORMATA DELLA POSSIBILITÀ DI TALI DANNI O PERDITE.

L'UTENTE RICONOSCE CHE LA NATURA DI INTERNET PREVEDE RISCHI DI SICUREZZA INTRINSECI E CHE LA NOSTRA AZIENDA DECLINA QUALSIASI RESPONSABILITÀ IN RELAZIONE A FUNZIONAMENTI ANOMALI, VIOLAZIONE DELLA RISERVATEZZA O ALTRI DANNI RISULTANTI DA ATTACCHI INFORMATICI, INFEZIONE DA VIRUS O ALTRI RISCHI LEGATI ALLA SICUREZZA SU INTERNET; TUTTAVIA, LA NOSTRA AZIENDA FORNIRÀ TEMPESTIVO SUPPORTO TECNICO, SE NECESSARIO.

L'UTENTE ACCETTA DI UTILIZZARE IL PRODOTTO IN CONFORMITÀ A TUTTE LE LEGGI VIGENTI E DI ESSERE IL SOLO RESPONSABILE DI TALE UTILIZZO CONFORME. IN PARTICOLARE, L'UTENTE È RESPONSABILE DEL FATTO CHE L'UTILIZZO DEL PRODOTTO NON VIOLI DIRITTI DI TERZI COME, SOLO A TITOLO DI ESEMPIO, DIRITTI DI PUBBLICITÀ, DIRITTI DI PROPRIETÀ INTELLETTUALE O DIRITTI RELATIVI ALLA PROTEZIONE DEI DATI E ALTRI DIRITTI RIGUARDANTI LA PRIVACY. NON È CONSENTITO UTILIZZARE QUESTO PRODOTTO PER SCOPI PROIBITI, COME, TRA GLI ALTRI, LA PRODUZIONE DI ARMI DI DISTRUZIONE DI MASSA, LO SVILUPPO O LA PRODUZIONE DI ARMI CHIMICHE O BIOLOGICHE, QUALSIASI ATTIVITÀ SVOLTA IN CONTESTI CORRELATI A ESPLOSIVI NUCLEARI O COMBUSTIBILI NUCLEARI NON SICURI O ATTIVITÀ CHE CAUSINO VIOLAZIONI DEI DIRITTI UMANI.

IN CASO DI CONFLITTO TRA IL PRESENTE MANUALE E LA LEGGE VIGENTE, PREVARRÀ QUEST'ULTIMA.

## Informazioni sulle norme

### Dichiarazione di conformità UE



Questo prodotto e gli eventuali accessori in dotazione sono contrassegnati con il marchio "CE" e sono quindi conformi alle norme europee armonizzate vigenti di cui alla direttiva EMC 2014/30/UE e alla direttiva RoHS 2011/65/UE



2012/19/UE (Direttiva RAEE): i prodotti contrassegnati con il presente simbolo non possono essere smaltiti come rifiuti domestici indifferenziati nell'Unione europea. Per lo smaltimento corretto, restituire il prodotto al rivenditore in occasione dell'acquisto di un nuovo dispositivo o smaltirlo nei punti di raccolta autorizzati. Ulteriori informazioni sono disponibili sul sito: [www.recyclethis.info](http://www.recyclethis.info).





2006/66/CE (direttiva batterie): questo prodotto contiene una batteria e non è possibile smaltirlo con i rifiuti domestici indifferenziati nell'Unione europea. Consultare la documentazione del prodotto per le informazioni specifiche sulla batteria. La batteria è contrassegnata con il presente simbolo, che potrebbe includere le sigle di cadmio (Cd), piombo (Pb) o mercurio (Hg). Per lo smaltimento corretto, restituire la batteria al rivenditore locale o smaltirla nei punti di raccolta autorizzati. Ulteriori informazioni sono disponibili sul sito: [www.recyclethis.info](http://www.recyclethis.info).

## Istruzioni per la sicurezza

Le presenti istruzioni hanno lo scopo di garantire che il prodotto venga utilizzato in modo corretto, evitando situazioni di pericolo o danni materiali.

### Leggi e regolamenti

- Il prodotto deve essere utilizzato rispettando rigorosamente le norme locali in materia di sicurezza elettrica.

### Trasporto

- Per trasportare il dispositivo, riporlo nella confezione originale o in un imballaggio analogo.
- Conservare il materiale di imballaggio per riutilizzarlo in futuro. In caso di guasti, sarà necessario inviare il dispositivo al produttore nell'imballaggio originale. Il trasporto senza l'imballaggio originale può causare danni al dispositivo; in tal caso il produttore declina ogni responsabilità.
- Non lasciar cadere il prodotto e non sottoporlo a impatti. Tenere il dispositivo lontano dalle interferenze magnetiche.

### Alimentazione

- La tensione di ingresso deve essere conforme allo standard IEC61010-1 sulle fonti di alimentazione limitate (5 V CC; 940 mA). Per informazioni dettagliate, consultare le specifiche tecniche.
- Verificare che la spina sia correttamente inserita nella presa di corrente.
- NON collegare più dispositivi a un solo alimentatore, per evitare surriscaldamenti o rischi di incendio causati da sovraccarichi.

### Batteria

- La batteria integrata non può essere smontata. Per eventuali riparazioni, rivolgersi al produttore.
- NON usare il caricabatterie in dotazione per caricare altri tipi di batterie. Verificare che durante la ricarica non ci siano materiali infiammabili nel raggio di 2 metri dal caricabatterie.
- Se la batteria rimane inutilizzata per lunghi periodi di tempo, caricarla completamente ogni sei mesi per garantire una lunga durata. In caso contrario potrebbe subire danni.
- NON collocare la batteria vicino a fonti di calore o fiamme. Evitare la luce diretta del sole.
- NON ingoiare la batteria per evitare ustioni chimiche.
- Tenere la batteria fuori dalla portata dei bambini.
- Quando il dispositivo viene spento, se la batteria RTC è completamente carica le impostazioni orarie verranno conservate per 15 giorni.
- Al primo utilizzo, accendere il dispositivo e caricare la batteria RTC con la batteria al litio per più di 10 ore.
- La tensione della batteria è 3,6 V, la sua capacità elettrica 6700 mAh.
- La batteria è dotata di certificazione UL 2054.

### Manutenzione

- Se il prodotto non funziona correttamente, rivolgersi al rivenditore o al centro di assistenza più vicino. Decliniamo qualsiasi responsabilità in relazione a problemi causati da interventi di riparazione o manutenzione non autorizzati.

- Alcuni componenti (ad esempio, il condensatore elettrolitico) vanno sostituiti periodicamente. La durata media di questi elementi è variabile, quindi devono essere controllati regolarmente. Contattare il rivenditore per i dettagli.
- Se necessario, pulire delicatamente il dispositivo con un panno imbevuto di una piccola quantità di alcool etilico.
- Un utilizzo non conforme a quanto specificato dal produttore potrebbe compromettere la protezione fornita dal dispositivo.
- È consigliabile far calibrare il dispositivo una volta all'anno. Rivolgersi a un rivenditore locale per informazioni sui centri di assistenza.
- Le specifiche effettive delle porte USB 3.0 PowerShare possono variare in base alla marca del PC, causando problemi di incompatibilità. È pertanto consigliabile l'utilizzo di una porta USB 3.0 o USB 2.0 standard se il dispositivo non viene riconosciuto dal PC quando è collegato tramite porta USB 3.0 PowerShare.

### Ambiente di utilizzo

- NON esporre il dispositivo ad ambienti estremamente caldi, freddi, polverosi, corrosivi, salino-alcasini o umidi. Verificare che l'ambiente di utilizzo sia conforme ai requisiti del dispositivo. La temperatura di esercizio deve essere compresa tra -20°C e 50 °C (tra -4 °F e 122 °F); l'umidità non deve superare il 90%.
- Il dispositivo può essere utilizzato in sicurezza solo a un'altitudine inferiore a 2.000 metri sul livello del mare.
- Collocare il dispositivo in un ambiente asciutto e ben ventilato.
- NON esporre il dispositivo a radiazioni elettromagnetiche intense o ad ambienti polverosi.
- NON orientare l'obiettivo verso il sole o altre luci intense.
- Quando si utilizzano apparecchiature laser, non orientarne l'obiettivo verso il raggio laser per evitare che possa bruciarsi.
- Il dispositivo può essere utilizzato in ambienti esterni e interni, ma non deve essere esposto alla pioggia o a un'umidità eccessiva.
- Il dispositivo è caratterizzato da un livello di protezione IP 54.
- Il dispositivo è caratterizzato da un grado di inquinamento 2.

### Emergenza

- Se il dispositivo emette fumo, odori o rumori, spegnerlo immediatamente e scollegare il cavo di alimentazione, quindi rivolgersi a un centro di assistenza.

### Laser

Avvertenza: La radiazione laser emessa dal dispositivo può causare lesioni agli occhi, ustioni alla pelle o combustione di sostanze infiammabili. Evitare l'esposizione diretta degli occhi al laser. Prima di attivare la luce supplementare verificare che non ci siano persone o sostanze infiammabili davanti all'obiettivo laser. La lunghezza d'onda è 650 nm, la potenza inferiore a 1 mW. Il laser è conforme allo standard IEC60825-1:2014.



Manutenzione del laser: non è necessario eseguire una manutenzione regolare del laser. Se il laser non funziona, il relativo gruppo deve essere sostituito in garanzia dal produttore. Tenere il dispositivo spento durante la sostituzione del gruppo laser. Attenzione: l'utilizzo di controlli o regolazioni, oppure l'esecuzione di procedure, diversi da quelli specificati nel presente manuale può causare l'esposizione a radiazioni pericolose.

**AVVISO SULLA CONFORMITÀ:** i prodotti termografici potrebbero essere soggetti a controlli sulle esportazioni in vari Paesi o regioni, tra cui Stati Uniti, Unione europea, Regno Unito e/o altri Paesi membri dell'accordo di Wassenaar. Consultare un legale o un esperto di conformità o le autorità governative locali per eventuali

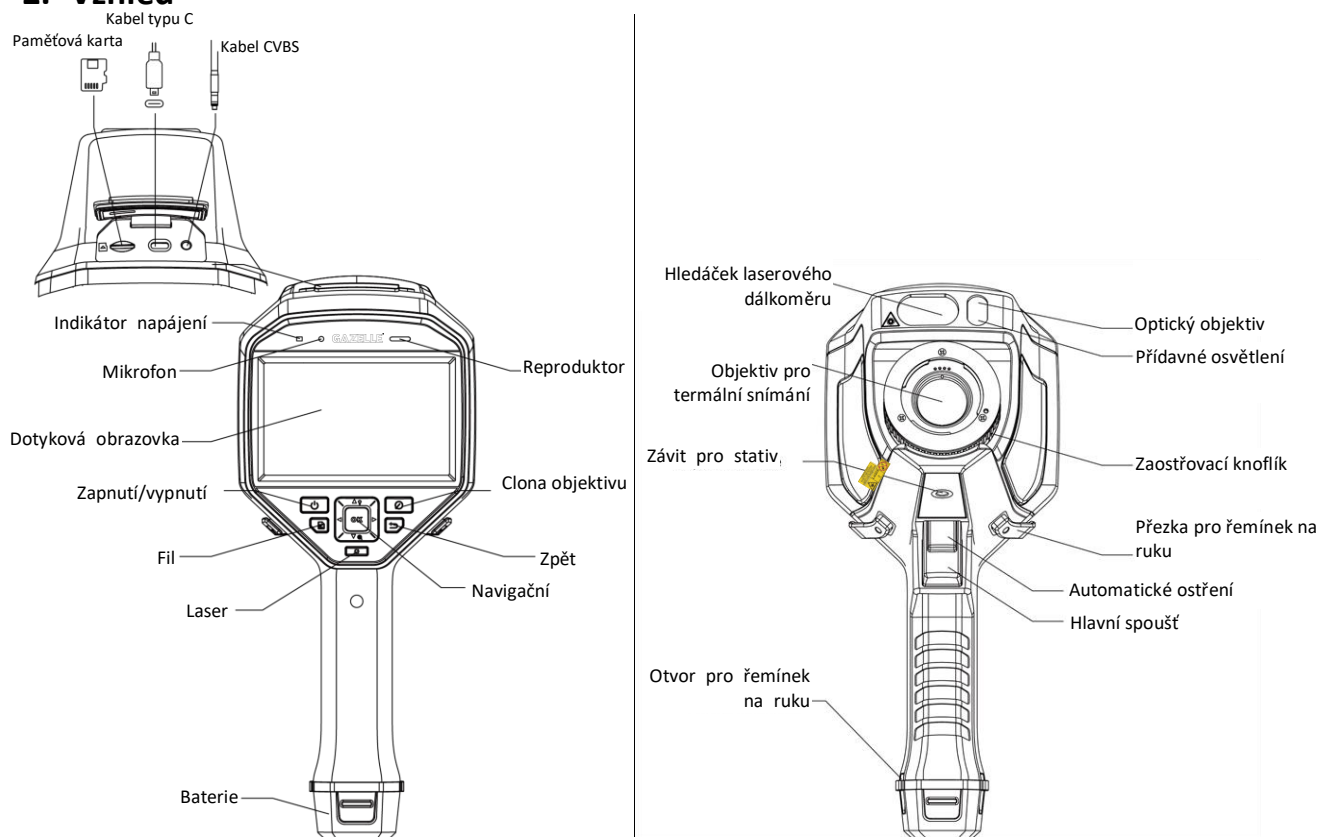
requisiti di licenza di esportazione necessari se si intende trasferire, esportare, riesportare i prodotti termografici tra diversi Paesi.

## 1. Stručný popis

Ruční termokamera je kamera, která je vybavena funkcí optického i termálního obrazu. Lze s ní provádět termografii, měřit vzdálenosti, nahrávat video, pořizovat snímky, detekovat alarmy atd. Vestavěný vysoce citlivý detektor infračerveného záření a vysoce výkonný senzor detekují změny teploty a měří teplotu v reálném čase. Rozsah měření teploty činí  $-20\text{ }^{\circ}\text{C}$  až  $650\text{ }^{\circ}\text{C}$  s přesností  $\pm 2\text{ }^{\circ}\text{C}$  nebo 2 %. Kamera uživatelům pomáhá najít ohrožená místa a snížit ztráty na majetku.

Zařízení podporuje živé zobrazení, pořizování snímků a nahrávání na telefonu.

## 2. Vzhled



**Poznámka:** Výstražná značka je pod laserem a na levé straně zařízení.

Součást	Funkce
Navigační tlačítko	Režim nabídky: <ul style="list-style-type: none"> <li>● Stisknutím tlačítka <math>\nabla</math>, <math>\triangle</math>, <math>\triangleright</math> a <math>\triangleleft</math> vyberete parametry.</li> <li>● Stisknutím tlačítka <b>OK</b> volbu potvrdíte.</li> </ul>
	Režim bez nabídky: <ul style="list-style-type: none"> <li>● Stisknutím tlačítka <math>\triangle</math> zapnete/vypnete doplňkové osvětlení LED.</li> <li>● Stisknutím tlačítka <math>\nabla</math> spustíte digitální zoom.</li> </ul>
Tlačítko laseru	Laser můžete zapnout podržením tlačítka a vypnout jeho uvolněním.
Tlačítko clony objektivu	K provedení opravy zacloňte objektiv.

Součást	Funkce
Tlačítko zpět	Slouží k ukončení nabídky nebo návratu do předchozí nabídky.
Zaostřovací knoflík	Nastavuje ohniskovou vzdálenost objektivu.
Spoušť	Stisknutím spouště zachytíte snímek nebo naskenujete kód QR. K záznamu videí podržte spoušť.
Automatické ostření	Stisknutím spouště zapnete/vypnete funkci automatického ostření.
Konektor pro kabel	Slouží k nabíjení zařízení nebo exportu souborů prostřednictvím dodaného kabelu.

### 3. Nabíjení zařízení

Po spuštění zařízení se v nabídce zobrazení na displeji zobrazí stav baterie. Je-li baterie téměř vybitá, nabijte zařízení, abyste zajistili jeho správné fungování.

Při prvním nabití zařízení nabíjejte 10 hodin a ponechte je při tom zapnuté.

#### Poznámka:

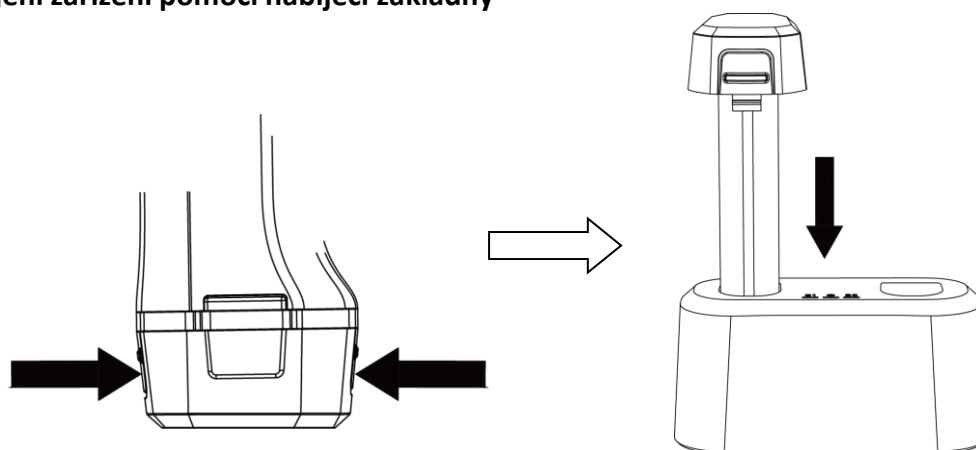
- Vestavěná článková baterie, která napájí hodiny reálného času (RTC) zařízení, se může během dlouhodobého přepravování nebo skladování vybit. Ke správnému fungování hodin zařízení doporučujeme baterii RTC opětovně nabíjet.
- K plnému nabití baterie RTC je nutné splnit následující požadavky:
  - a) V zařízení musí být vloženy nabíjecí lithiové baterie.
  - b) Před vypnutím by zařízení mělo být v provozu po více než 10 hodin.

#### 3.1 Nabíjení zařízení pomocí konektoru pro kabel

##### Kroky

1. Zvedněte kryt konektoru.
2. Připojte kabel a nabijte zařízení.

#### 3.2 Nabíjení zařízení pomocí nabíjecí základny



##### Kroky:

1. Podržte zařízení a stiskněte obě západky zámku baterie na zařízení.
2. Podržte západky zámku a vyjměte baterii zatažením za základnu baterie.
3. Vložte baterii do nabíjecí základny. Stav nabíjení se zobrazí prostřednictvím kontrolky na nabíjecí základně.
4. Jakmile je baterie plně nabitá, vytáhněte ji z nabíjecí základny.
5. Vložte baterii do zařízení.

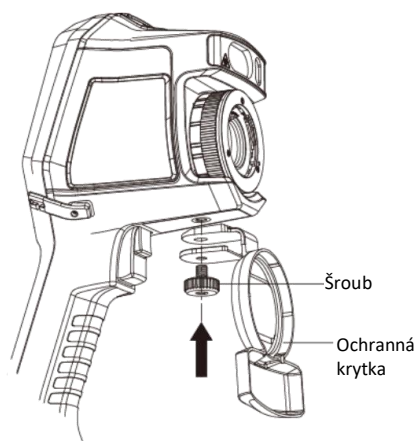
**Poznámka:** Nabijte zařízení pomocí kabelu a napájecího adaptéru dodaných výrobcem (nebo se vstupním napětím z technických údajů).

#### 4. Montáž ochranného krytu

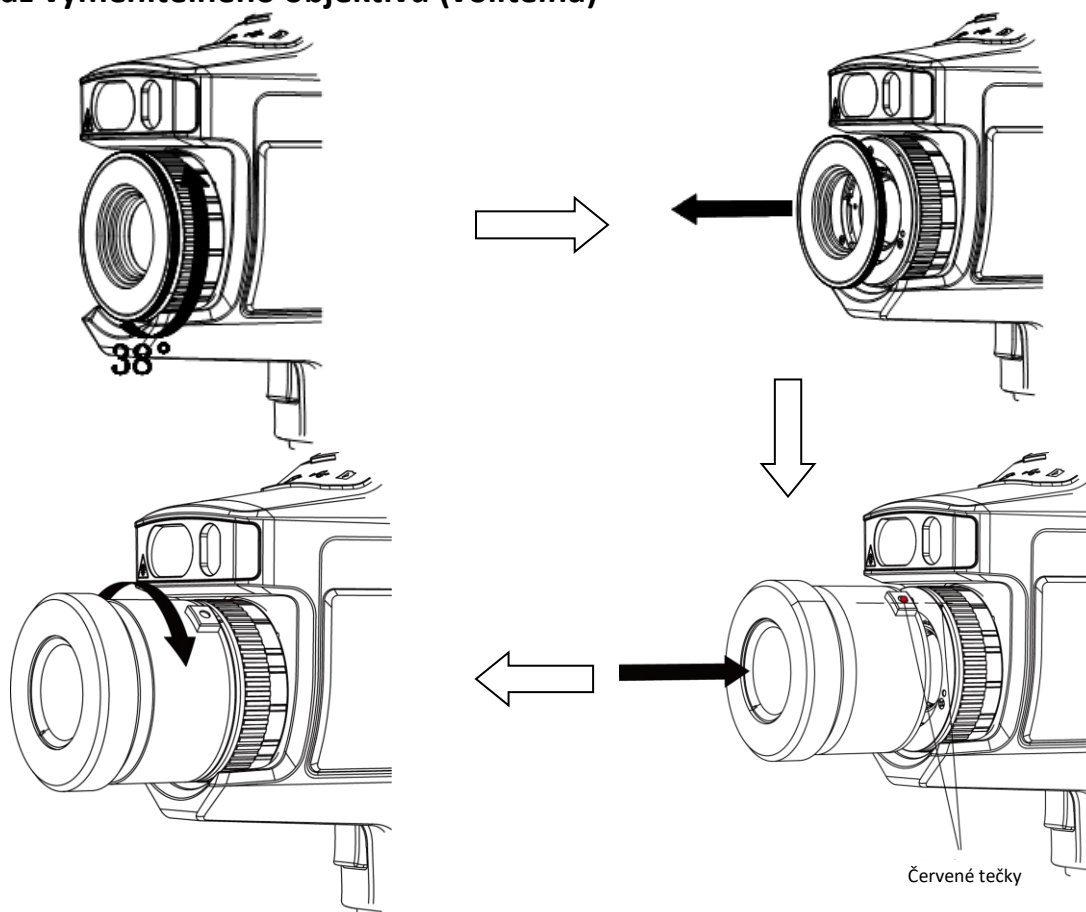
Ochranný kryt připevněte, když zařízení nepoužíváte.

##### Kroky

1. Zarovnejte závitový otvor zařízení s montážním otvorem krytu objektivu.
2. Vložte šroub, otočte jej ve směru hodinových ručiček, a připevněte tak kryt objektivu.



#### 5. Montáž vyměnitelného objektivu (volitelná)



##### Kroky

1. Otočte dekoračním kroužkem o 38° proti směru hodinových ručiček.
2. Sejměte dekorační kroužek.
3. Zarovnejte dvě červené tečky na vyměnitelném objektivu a na zařízení a poté dokončete montáž otočením vyměnitelného objektivu ve směru hodinových ručiček.
4. Připevněte vyměnitelný objektiv jeho otočením ve směru hodinových ručiček.

## Právní informace

Informace o tomto návodu

V návodu jsou obsaženy pokyny k používání a obsluze výrobku. Obrázky, schémata, snímky a veškeré ostatní zde uvedené informace slouží pouze jako popis a vysvětlení. Informace obsažené v tomto návodu podléhají vzhledem k aktualizacím firmwaru nebo z jiných důvodů změnám bez upozornění. Nejnovější verzi tohoto návodu naleznete na webových stránkách společnosti.

Tento návod používejte s vedením a pomocí odborníků vyškolených v oblasti podpory výrobku.

### Prohlášení o ochranných známkách

Ochranné známky a loga uvedená v této příručce jsou majetkem příslušných vlastníků.

### PROHLÁŠENÍ O VYLOUČENÍ ODPOVĚDNOSTI

TATO PŘÍRUČKA A POPISOVANÉ PRODUKTY VČETNĚ PŘÍSLUŠNÉHO HARDWARU, SOFTWARE A FIRMWARE JSOU V MAXIMÁLNÍM ROZSAHU PŘÍPUSTNÉM PODLE ZÁKONA POSKYTOVÁNY, „JAK STOJÍ A LEŽÍ“, A „SE VŠEMI VADAMI A CHYBAMI“. NAŠE SPOLEČNOST NEPOSKYTUJE ŽÁDNÉ VÝSLOVNÉ ANI PŘEDPOKLÁDANÉ ZÁRUKY ZARNUJÍCÍ MIMO JINÉ PRODEJNOST, USPOKOJIVOU KVALITU NEBO VHODNOST KE KONKRÉTNÍM ÚČELŮM. POUŽÍVÁNÍ TOHOTO PRODUKTU JE NA VAŠE VLASTNÍ RIZIKO. NAŠE SPOLEČNOST NENESE V ŽÁDNÉM PŘÍPADĚ ODPOVĚDNOST ZA JAKÉKOLI ZVLÁŠTNÍ, NÁSLEDNÉ, NÁHODNÉ NEBO NEPŘÍMÉ ŠKODY ZAHRNÚJÍCÍ MIMO JINÉ ŠKODY ZE ZTRÁTY OBCHODNÍHO ZISKU, PŘERUŠENÍ OBCHODNÍ ČINNOSTI NEBO ZTRÁTY DAT, POŠKOZENÍ SYSTÉMŮ NEBO ZTRÁTY DOKUMENTACE V SOUVISLOSTI S POUŽÍVÁNÍM TOHOTO PRODUKTU BEZ OHLEDU NA TO, ZDA TAKOVÉ ŠKODY VZNIKLY Z DŮVODU PORUŠENÍ SMLOUVY, OBČANSKOPRÁVNÍHO PŘEČINU (VČETNĚ NEDBALOSTI) ČI ODPOVĚDNOSTI ZA PRODUKT, A TO ANI V PŘÍPADĚ, ŽE NAŠE SPOLEČNOST BYLA NA MOŽNOST TAKOVÝCHTO ŠKOD NEBO ZTRÁTY UPOZORNĚNA.

BERETE NA VĚDOMÍ, ŽE INTERNET SVOU PODSTATOU PŘEDSTAVUJE SKRYTÁ BEZPEČNOSTNÍ RIZIKA A NAŠE SPOLEČNOST PROTO NEPŘEBÍRÁ ŽÁDNOU ODPOVĚDNOST ZA NESTANDARDNÍ PROVOZNÍ CHOVÁNÍ, ÚNIK OSOBNÍCH ÚDAJŮ NEBO JINÉ ŠKODY VYPLÝVAJÍCÍ Z KYBERNETICKÉHO ČI HACKERSKÉHO ÚTOKU, NAPADENÍ VIREM NEBO ŠKODY ZPŮSOBENÉ JINÝMI INTERNETOVÝMI BEZPEČNOSTNÍMI RIZIKY; NAŠE SPOLEČNOST VŠAK V PŘÍPADĚ POTŘEBY POSKYTNE VČASNOU TECHNICKOU PODPORU.

SOUHLASÍTE S TÍM, ŽE TENTO PRODUKT BUDE POUŽÍVÁN V SOULADU SE VŠEMI PLATNÝMI ZÁKONY A VÝHRADNĚ ODPOVÍDÁTE ZA ZAJIŠTĚNÍ, ŽE VAŠE UŽÍVÁNÍ BUDE V SOULADU S PLATNOU LEGISLATIVOU. ODPOVÍDÁTE ZEJMÉNA ZA POUŽÍVÁNÍ PRODUKTU ZPŮSOBEM, KTERÝ NEPORUŠUJE PRÁVA TŘETÍCH STRAN, COŽ ZAHRNÚJE MIMO JINÉ PRÁVO NA OCHRANU OSOBNOSTI, PRÁVO DUŠEVNÍHO VLASTNICTVÍ NEBO PRÁVO NA OCHRANU OSOBNÍCH ÚDAJŮ A DALŠÍ PRÁVA NA OCHRANU SOUKROMÍ. TENTO PRODUKT NESMÍTE POUŽÍVAT K JAKÝMKOLI NEDOVOLENÝM KONCOVÝM ÚČELŮM VČETNĚ VÝVOJE ČI VÝROBY ZBRANÍ HROMADNÉHO NIČENÍ, VÝVOJE NEBO VÝROBY CHEMICKÝCH ČI BIOLOGICKÝCH ZBRANÍ NEBO JAKÝCHKOLI ČINNOSTÍ SOUVISEJÍCÍCH S JADERNÝMI VÝBUŠNINAMI NEBO NEBEZPEČNÝM JADERNÝM PALIVOVÝM CYKLEM ČI K PODPOŘE PORUŠOVÁNÍ LIDSKÝCH PRÁV.

V PŘÍPADĚ JAKÉHOKOLI ROZPORU MEZI TÍMTO NÁVODEM A PŘÍSLUŠNÝMI ZÁKONY PLATÍ DRUHÉ ZMÍNĚNÉ.

## Zákonné informace

### EU prohlášení o shodě



Tento výrobek a případně i dodané příslušenství jsou označeny štítkem „CE“, a vyhovují proto příslušným harmonizovaným evropským standardům uvedeným ve směrnici EMC 2014/30/EU a směrnici RoHS 2011/65/EU.



Směrnice 2012/19/ES (WEEE): Výrobky označené tímto symbolem nelze v Evropské unii likvidovat společně s netříděným domovním odpadem. Při zakoupení nového ekvivalentního výrobku tento výrobek řádně zrecykluje vrácením svému místnímu dodavateli, nebo jej zlikvidujte odevzdáním v určených sběrných místech. Další informace naleznete na adrese: [www.recyclethis.info](http://www.recyclethis.info).



Směrnice 2006/66/ES (týkající se baterií): Tento výrobek obsahuje baterii, kterou nelze v Evropské unii likvidovat společně s netříděným domovním odpadem. Konkrétní informace o baterii naleznete v dokumentaci výrobku. Baterie je označena tímto symbolem, který může obsahovat písmena značící kadmium (Cd), olovo (Pb) nebo rtuť (Hg). Za účelem řádné recyklace baterií odevzdejte svému dodavateli nebo na určené sběrné místo. Další informace naleznete na adrese: [www.recyclethis.info](http://www.recyclethis.info).

## Bezpečnostní pokyny

Účelem těchto pokynů je zajistit, aby uživatel mohl výrobek správně používat a zabránilo se nebezpečí nebo újmě na majetku.

### Zákony a předpisy

- Používání výrobku musí být přísně v souladu s místními bezpečnostními předpisy pro elektrická zařízení.

### Přeprava

- Při přepravě uchovávejte zařízení v původním nebo jemu podobném balení.
- Po vybalení uchovejte veškeré obaly pro budoucí použití. V případě jakékoli poruchy je třeba vrátit zařízení výrobci v původním obalu. Přeprava bez původního obalu může vést k poškození zařízení, za které společnost neponese odpovědnost.
- Produkt nevystavujte fyzickým nárazům a zabraňte jeho spadnutí. Udržujte zařízení mimo dosah magnetického rušení.

### Napájení

- Vstupní napětí musí dle standardu IEC61010-1 splňovat požadavky na omezený zdroj napájení (5 V DC, 940 mA). Podrobné informace naleznete v technických údajích.
- Zkontrolujte, zda je zástrčka řádně zapojena do napájecí zásuvky.
- K jednomu napájecímu adaptéru NEPŘIPOJUJTE více zařízení, abyste zabránili přehřátí nebo nebezpečí požáru v důsledku přetížení.

### Baterie

- Vestavěnou baterii nelze rozebírat. Je-li třeba ji opravit, obraťte se na výrobce.
- Dodanou nabíječkou NENABÍJEJTE jiné typy baterií. Během nabíjení ověřte, zda se v okolí 2 m od nabíječky nenachází hořlavé materiály.
- Při dlouhodobém skladování baterii každého půl roku plně nabijte, abyste zajistili zachování její kvality. V opačném případě může dojít k jejímu poškození.
- NEPOKLÁDEJTE baterii poblíž zdroje tepla nebo ohně. Vyhněte se přímému slunečnímu záření.
- Baterii NEPOLYKEJTE, mohlo by dojít k chemickým popáleninám.
- NEPOKLÁDEJTE baterii na místa v dosahu dětí.
- Pokud je zařízení vypnuté a baterie RTC je plně nabita, lze nastavení času uchovat po dobu 15 dní.
- Při prvním použití zapněte zařízení a nabíjejte baterii RTC s lithiovou baterií po více než 10 hodin.
- Napětí baterie je 3,6 V a kapacita baterie je 6 700 mAh.
- Baterie je certifikována dle standardu UL2054.

## Údržba

- V případě, že výrobek nefunguje správně, obraťte se na prodejce nebo na nejbližší servisní středisko. Nepřebíráme žádnou odpovědnost za problémy způsobené neoprávněnou opravou nebo údržbou.
- Některé z komponent zařízení (např. elektrolytický kondenzátor) je nutné pravidelně vyměňovat. Průměrná doba životnosti se liší, doporučujeme proto pravidelné kontroly. Podrobnosti vám poskytne prodejce.
- V případě potřeby zařízení jemně otřete čistým hadříkem navlhčeným malým množstvím etanolu.
- V případě použití zařízení způsobem jiným než určeným výrobcem může dojít ke zrušení platnosti záruky.
- Doporučujeme, abyste zařízení zasílali jednou za rok zpět ke kalibraci. Informace o místech nabízejících údržbu vám poskytne místní prodejce.
- Upozorňujeme, že limit proudu portu USB 3.0 PowerShare se může lišit v závislosti na značce počítače, což může vést k potížím s nekompatibilitou. Pokud počítač zařízení USB při připojení k portu USB 3.0 PowerShare nerozeznává, doporučujeme používat běžné porty USB 3.0 nebo USB 2.0.

## Provozní prostředí

- NEVYSTAVUJTE zařízení extrémně horkému, chladnému, prašnému, korozivnímu, slanému/zásaditému nebo vlhkému prostředí. Zajistěte, aby provozní prostředí vyhovovalo požadavkům zařízení. Provozní teplota musí být  $-20\text{ }^{\circ}\text{C}$  až  $50\text{ }^{\circ}\text{C}$  a provozní vlhkost musí být max. 90 %.
- Toto zařízení lze bezpečně používat výhradně v oblasti do 2 000 metrů nadmořské výšky.
- Umístěte zařízení na suché a dobře větrané místo.
- NEVYSTAVUJTE zařízení silnému elektromagnetickému záření ani prašnému prostředí.
- NEMIŘTE objektivem do slunce ani do jiného zdroje jasného světla.
- Používá-li se nějaké laserové zařízení, zajistěte, aby nebyl objektiv zařízení vystaven laserovému paprsku. V opačném případě by se mohl vypálit.
- Zařízení je vhodné pro používání uvnitř i venku, ale nevystavujete jej vlhkosti.
- Úroveň krytí je IP 54.
- Stupeň znečištění je 2.

## Stav nouze

- Pokud ze zařízení vychází kouř, zápach nebo hluk, zařízení okamžitě vypněte, odpojte napájecí kabel a obraťte se na servisní středisko.

## Laser

Varování: Laserové záření vycházející ze zařízení může způsobit poranění očí, popálení kůže nebo vzplanutí hořlavých materiálů. Chraňte si oči před přímým laserem. Před povolením funkce doplňkového osvětlení se ujistěte, že před laserovým objektivem nestojí žádní lidé, ani se zde nenacházejí žádné hořlavé materiály. Vlnová délka je 650 nm a výkon je max. 1 MW. Laser splňuje standard IEC60825-1:2014.



Údržba laseru: Není nutné provádět pravidelnou údržbu laseru. Pokud laser nefunguje, je v době záruky nutné sestavení laseru vyměnit v továrně. Při vyměňování sestavení laseru je třeba, aby bylo zařízení vypnuté. Varování – při používání ovládacích prvků nebo nastavení či provádění postupů, které nejsou výslovně uvedené v tomto návodu, může dojít k vystavení nebezpečnému záření.

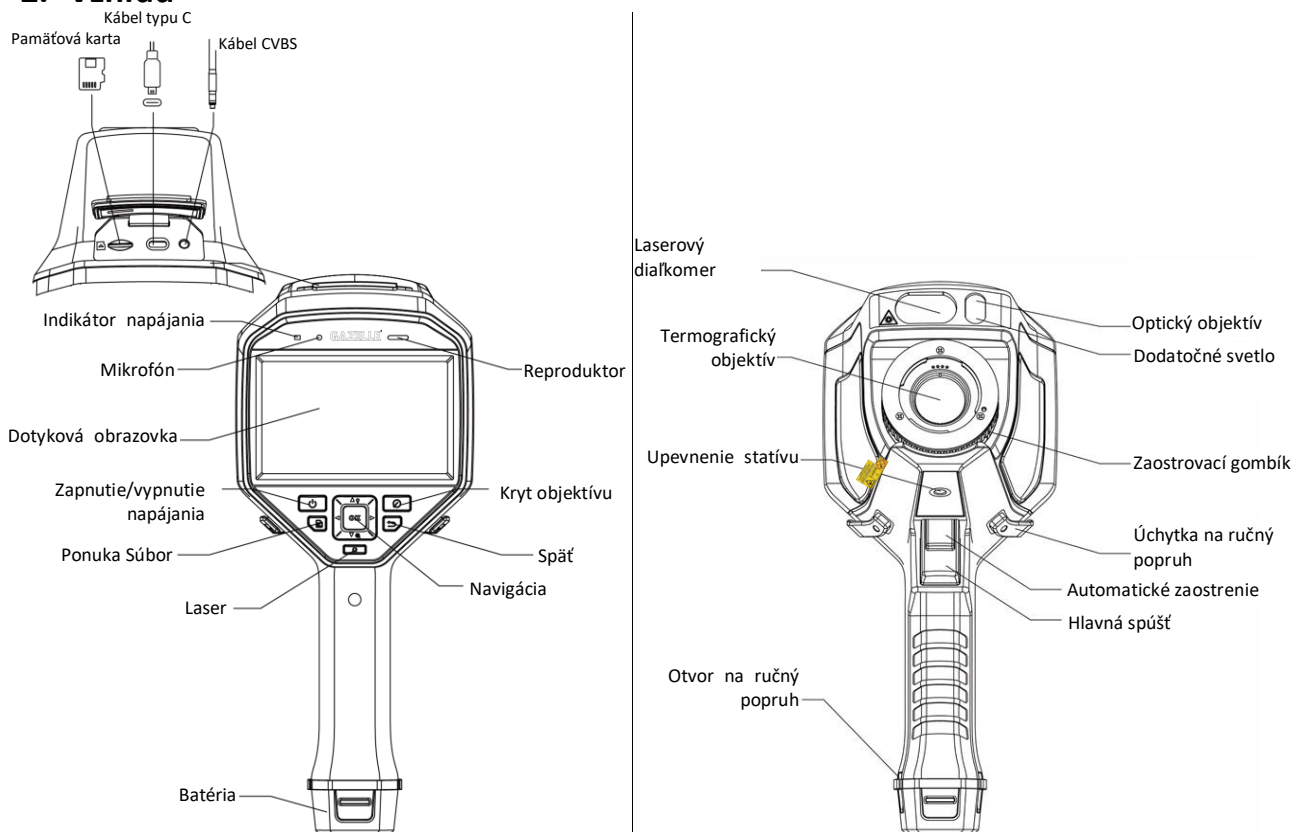
**POZNÁMKA O DODRŽOVÁNÍ PŘEDPISŮ:** Na výrobky termální řady se mohou vztahovat vývozní opatření v různých zemích nebo regionech včetně, mimo jiné, Spojených států, Evropské unie, Spojeného království a dalších členských států Wassenaarského ujednání. Máte-li v úmyslu přenášet, exportovat nebo opětovně exportovat výrobky termální řady mezi různými zeměmi, obraťte se na profesionálního právníka, odborníka v oblasti dodržování předpisů nebo místní úřady, aby vám sdělili všechny nezbytné licenční požadavky pro export.



## 1. Stručný opis

Ručná termografická kamera je kamera s optickým aj termografickým zobrazením. Dokáže vykonávať termografiu, merať vzdialenosti, zaznamenávať video, zachytávať snímky, spustiť alarm a iné. Pomocou zabudovaného infračerveného detektora s vysokou citlivosťou a snímača s vysokým výkonom zisťuje zmeny teplôt a meria teplotu v reálnom čase. Rozsah merania teploty je od -20 °C do 650 °C (-4 °F do 1202 °F) s presnosťou  $\pm 2$  °C ( $\pm 3,6$  °F) alebo 2 %. Pomáha používateľom nájsť rizikovú oblasť a znižuje ich majetkové straty. Zariadenie podporuje zobrazenie živého náhľadu, snímkanie a nahrávanie v telefóne.

## 2. Vzhľad



**Poznámka:** Výstražné označenie je pod laserom a na ľavej strane zariadenia.

Komponent	Funkcia
Navigačné tlačidlo	Režim ponuky: <ul style="list-style-type: none"> <li>● Stlačením tlačidiel <math>\nabla</math>, <math>\triangle</math>, <math>\triangleright</math> a <math>\triangleleft</math> vyberte parametre.</li> <li>● Na potvrdenie stlačte tlačidlo <b>OK</b>.</li> </ul>
	Režim mimo ponuky: <ul style="list-style-type: none"> <li>● Stlačením tlačidla <math>\triangle</math> zapnite/vypnite dodatočné osvetlenie LED.</li> <li>● Stlačením tlačidla <math>\nabla</math> spustíte digitálne priblíženie.</li> </ul>
Tlačidlo lasera	Podržaním tlačidla zapnete laser, pustením tlačidla vypnete laser.
Tlačidlo krytu objektívu	Zakryte objektív na vykonanie korekcie.
Tlačidlo návratu	Ukončenie ponuky alebo návrat do predchádzajúcej ponuky.
Zaostrovací gombík	Upravte ohniskovú vzdialenosť objektívu.

Komponent	Funkcia
Spúšť	Potiahnutím spúšte zachytíte snímku alebo naskenujete QR kód. Podržaním spúšte môžete nahrávať videá.
Automatické zaostrenie	Potiahnutím spúšte zapnete alebo vypnete funkciu automatického zaostrenia.
Rozhranie kábla	Nabíte zariadenie alebo exportujete súbory pomocou dodaného kábla.

### 3. Nabíjanie zariadenia

Po spustení zariadenia sa na obrazovke (OSD) zobrazí stav batérie. Ak je batéria slabá, zariadenie nabíjate, čím zabezpečíte jeho správnu činnosť.

Prvé nabíjanie vykonajte tak, že zapnuté zariadenie nabíjajte 10 hodín.

#### Poznámka:

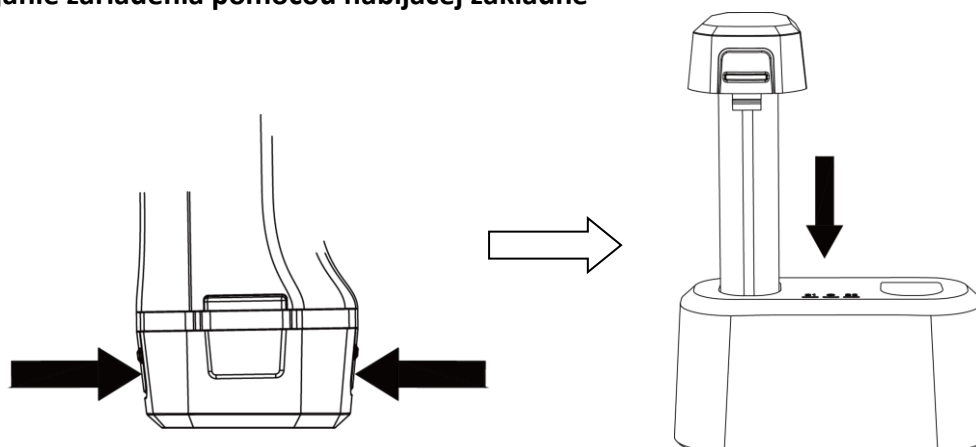
- Zabudovaná článková batéria napája hodiny s reálnym časom (RTC) v zariadení a počas dlhodobej prepravy alebo uskladnenia sa môže vybiť. Odporúča sa nabiť batériu RTC, aby hodiny v zariadení správne fungovali.
- Na plné nabitie batérie RTC musia byť splnené tieto požiadavky:
  - a) V zariadení musia byť nainštalované nabíjateľné lítiové batérie.
  - b) Pred vypnutím by zariadenie malo byť v prevádzke viac ako 10 hodín.

#### 3.1 Nabíjanie zariadenia cez káblové rozhranie

##### Kroky

1. Zdvihnite kryt rozhrania.
2. Pripojte kábel a nabíjate zariadenie.

#### 3.2 Nabíjanie zariadenia pomocou nabíjacej základne



##### Kroky:

1. Držte zariadenie a stlačte obidve západky batérie na zariadení.
2. Držte západky a vytiahnite základňu batérie, aby ste vybrali batériu.
3. Vložte batériu do nabíjacej základne. Stav nabíjania môžete sledovať pomocou kontrolky na nabíjacej základni.
4. Keď je batéria úplne nabitá, vyberte ju z nabíjacej základne.
5. Vložte batériu do zariadenia.

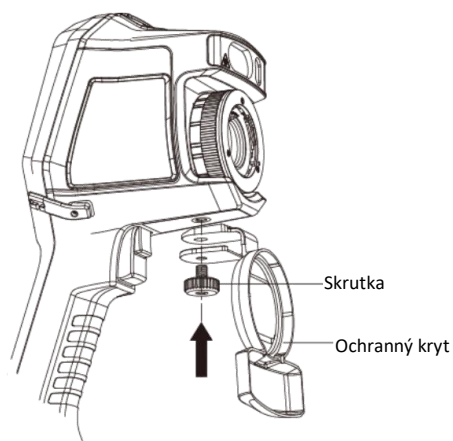
**Poznámka:** Zariadenie nabíjajte pomocou kábla a napájacieho adaptéra, ktoré dodáva výrobca (alebo podľa vstupného napätia uvedeného v špecifikáciách).

#### 4. Nasadenie ochranného krytu

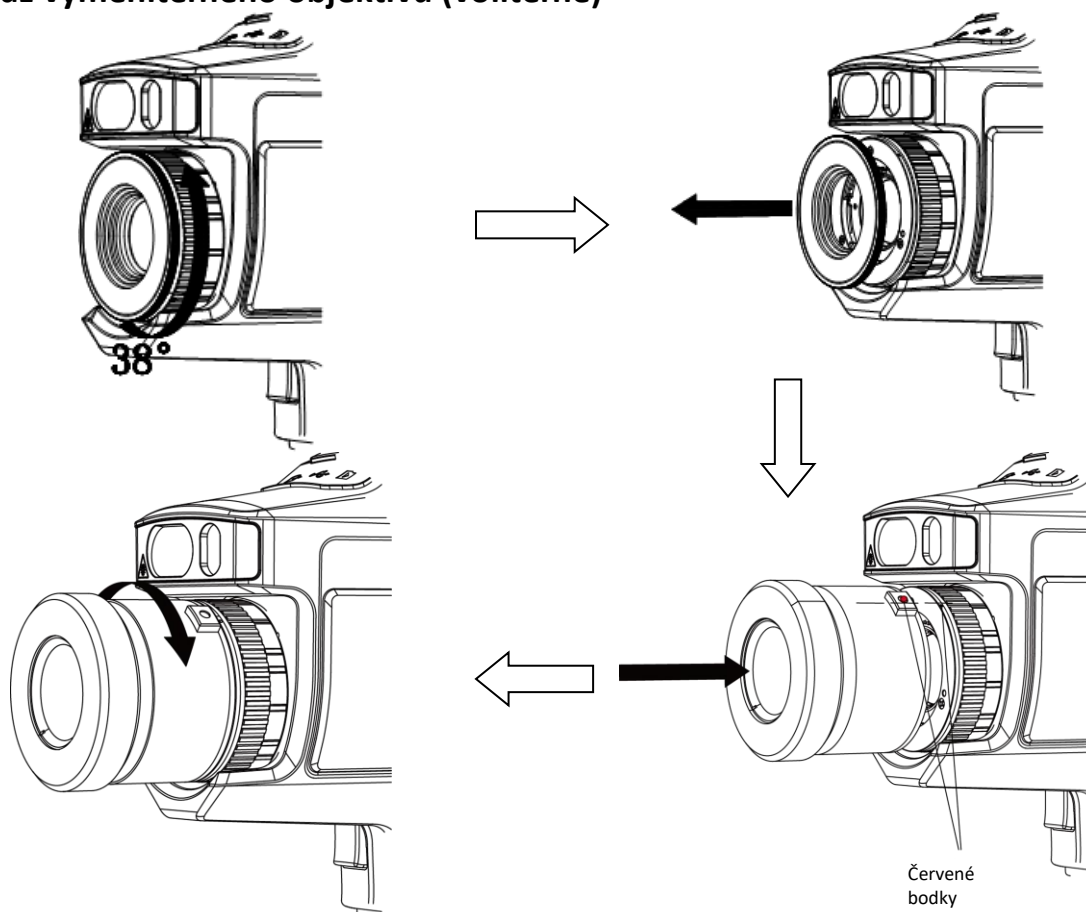
Pripevnte na zariadenie kryt, ktorý ho chráni, keď sa nepoužíva.

##### Kroky

1. Zarovnajte otvor so závitom v zariadení s otvorom na upevnenie v kryte objektívu.
2. Vložte skrutku a otáčaním v smere hodinových ručičiek ňou upevnite kryt objektívu.



#### 5. Montáž vymeniteľného objektívu (voliteľné)



##### Kroky

1. Otáčajte ozdobný krúžok 38° proti smeru hodinových ručičiek.
2. Odstráňte ozdobný krúžok.
3. Zarovnajte vzájomne dve červené body na vymeniteľnom objektíve a zariadení, potom otáčajte vymeniteľný objektív v smere hodinových ručičiek, kým sa neupevní.
4. Upevnite vymeniteľný objektív otáčaním v smere hodinových ručičiek.

## Právne informácie

Informácie o tomto návode

Táto príručka obsahuje pokyny na používanie a správu produktu. Obrázky, grafy, nákresy a všetky ďalšie informácie, ktoré sú v ňom uvedené, slúžia len na opis a vysvetlenie. Informácie uvedené v návode sa môžu zmeniť bez predchádzajúceho upozornenia v dôsledku aktualizácií firmvéru alebo iných príčin. Najnovšiu verziu tohto návodu nájdete na webovej stránke spoločnosti.

Používajte tento návod v súlade s pokynmi a radami odborníkov, ktorí sú vyškolení na obsluhu produktu.

### Potvrdenia o ochranných známkach

Ochranné známky a logá sú vlastníctvom príslušných majiteľov.

### PRÁVNE VYHLÁSENIE O VYLÚČENÍ ZODPOVEDNOSTI

V MAXIMÁLNO M MOŽNOM ROZSAHU, KTORÝ POVOĽUJÚ PRÍSLUŠNÉ PRÁVNE PREDPISY, SA TÁTO PRÍRUČKA A OPÍSANÝ PRODUKT SPOLU S JEHO HARDVÉROM, SOFTVÉROM A FIRMVÉROM, DODÁVAJÚ V STAVE „AKO SÚ“ A „SO VŠETKÝMI PORUCHAMI A CHYBAMI“. NAŠA SPOLOČNOSŤ NEPOSKYTUJE ŽIADNE VÝSLOVNÉ ANI PREDPOKLADANÉ ZÁRUKY, VRÁTANE, ALE BEZ OBMEDZENIA PREDAJNOSTI, USPOKOJIVEJ KVALITY ALEBO VHODNOSTI NA KONKRÉTNY ÚČEL. POUŽÍVANIE PRODUKTU JE NA VAŠE VLASTNÉ RIZIKO. NAŠA SPOLOČNOSŤ NEBUDE V ŽIADNOM PRÍPADE NIEST ŽIADNU ZODPOVEDNOSŤ ZA AKÉKOL'VEK OSOBITNÉ, NÁSLEDNÉ, NÁHODNÉ ALEBO NEPRIAME ŠKODY, OKREM INÉHO VRÁTANE ŠKÔD ZO ZMARENÉHO PODNIKATELSKÉHO ZISKU, PRERUŠENIA PODNIKANIA, STRATY ÚDAJOV, PORUŠENIA SYSTÉMOV ALEBO STRATY DOKUMENTÁCIE, ČI UŽ NA ZÁKLADE PORUŠENIA ZMLUVY, PREČINU (VRÁTANE NEDBALOSTI), ZODPOVEDNOSTI ZA PRODUKT ALEBO INAK V SÚVISLOSTI S POUŽÍVANÍM PRODUKTU, A TO ANI V PRÍPADE, AK BOLA NAŠA SPOLOČNOSŤ UPOZORNENÁ NA MOŽNOSŤ TAKÝCHTO ŠKÔD.

UZNÁVATE, ŽE POVAHA INTERNETU UMOŽŇUJE INHERENTNÉ BEZPEČNOSTNÉ RIZIKÁ A NAŠA SPOLOČNOSŤ NENESIE ŽIADNU ZODPOVEDNOSŤ ZA NEŠTANDARDNÚ PREVÁDZKU, ÚNIK OSOBNÝCH ÚDAJOV ANI ZA INÉ ŠKODY V DÔSLEDKU KYBERNETICKÉHO ÚTOKU, HAKERSKÉHO ÚTOKU, VÍRUSOVEJ INFEKCIE ALEBO INÝCH BEZPEČNOSTNÝCH RIZÍK SIETE INTERNET; V PRÍPADE POTREBY VŠAK NAŠA SPOLOČNOSŤ POSKYTNE VČASNÚ TECHNICKÚ PODPORU.

SÚHLASÍTE S POUŽÍVANÍM TOHTO PRODUKTU V SÚLADE SO VŠETKÝMI PRÍSLUŠNÝMI ZÁKONMI A NESIETE VÝHRADNÚ ZODPOVEDNOSŤ ZA ZABEZPEČENIE, ABY VAŠE POUŽÍVANIE BOLO V SÚLADE S PRÍSLUŠNÝMI ZÁKONMI. STE OBZVLÁŠŤ ZODPOVEDNÍ ZA POUŽÍVANIE TOHTO PRODUKTU SPÔSOBOM, KTORÝ NEPORUŠUJE PRÁVA TRETÍCH STRÁN, OKREM INÉHO PRÁVA PUBLICITY, PRÁVA DUŠEVNÉHO VLASTNÍCTVA, PRÁVA NA OCHRANU ÚDAJOV A INÉ PRÁVA NA OCHRANU SÚKROMIA. TENTO PRODUKT NESMIETE POUŽÍVAŤ NA ŽIADNE ZAKÁZANÉ ÚČELY VRÁTANE VÝVOJA ALEBO VÝROBY ZBRANÍ HROMADNÉHO NIČENIA, VÝVOJA ALEBO VÝROBY CHEMICKÝCH ALEBO BIOLOGICKÝCH ZBRANÍ, AKÝCHKOL'VEK AKTIVÍT V SÚVISLOSTI S AKOUKOL'VEK JADROVOU VÝBUŠNINOU ALEBO NEBEZPEČNÝM CYKLOM JADROVÉHO PALIVA, ALEBO NA PODPORU ZNEUŽÍVANIA ĽUDSKÝCH PRÁV.

V PRÍPADE AKÉHOKOL'VEK NESÚLADU MEDZI TOUTO PRÍRUČKOU A PRÍSLUŠNÝMI PRÁVNÝMI PREDPISMI MAJÚ PREDNOSŤ PRÍSLUŠNÉ PRÁVNE PREDPISY.

## Regulačné informácie

### Vyhlásenie o súlade s predpismi EÚ



Tento produkt a aj prípadné dodávané príslušenstvo sú označené značkou „CE“ a sú preto v súlade s príslušnými harmonizovanými európskymi normami uvedenými v smernici EMC 2014/30/EÚ, smernici RoHS 2011/65/EÚ



2012/19/EÚ (smernica o odpade z elektrických a elektronických zariadení): Produkty označené týmto symbolom sa v rámci Európskej únie nesmú likvidovať spolu s netriedeným komunálnym odpadom. Po zakúpení ekvivalentného nového zariadenia zrecyklujte produkt tým, že ho odovzdáte miestnemu dodávateľovi alebo ho zlikvidujete na určených zberných miestach. Ďalšie informácie nájdete na: [www.recyclethis.info](http://www.recyclethis.info).



2006/66/ES (smernica o batériách): Tento produkt obsahuje batériu, ktorá sa v rámci Európskej únie nesmie likvidovať spolu s netriedeným komunálnym odpadom. Konkrétne informácie o batérii nájdete v dokumentácii produktu. Batéria je označená týmto symbolom, ktorý môže obsahovať písmená označujúce obsah kadmia (Cd), olova (Pb) alebo ortuti (Hg). Zrecyklujte batériu tým, že ju odovzdáte dodávateľovi alebo ju zlikvidujete na určenom zbernom mieste. Ďalšie informácie nájdete na: [www.recyclethis.info](http://www.recyclethis.info).

## Bezpečnostné pokyny

Tieto pokyny slúžia na zabezpečenie správneho používania produktu používateľom s cieľom predchádzať vzniku nebezpečenstva alebo majetkovým stratám.

### Právne predpisy a nariadenia

- Používanie produktu musí byť v prísnom súlade s miestnymi elektroinštalačnými bezpečnostnými predpismi.

### Preprava

- Pri preprave ponechajte zariadenie v pôvodnom alebo podobnom balení.
- Po rozbalení si všetky obaly odložte na budúce použitie. V prípade výskytu poruchy bude potrebné, aby ste zariadenie vrátili do výrobcovi v pôvodnom obale. Pri preprave bez pôvodného obalu môže dôjsť k poškodeniu zariadenia a spoločnosť za to nebude niesť žiadnu zodpovednosť.
- Chráňte zariadenie pred pádom alebo nárazom. Zariadenie chráňte pred magnetickým rušením.

### Zdroj napájania

- Vstupné napätie by malo spĺňať podmienky veľmi nízkeho napätia (5 V jednosmerný prúd, 940 mA) podľa normy IEC61010-1. Podrobné informácie nájdete v technických špecifikáciách.
- Skontrolujte, či je zástrčka správne pripojená k napájacej zásuvke.
- K jednému napájacímu adaptéru NEPRIPÁJAJTE viacero zariadení, aby nedošlo k prehriatiu alebo riziku požiaru v dôsledku preťaženia.

### Batéria

- Zabudovanú batériu nemožno rozoberať. V prípade potreby opravy sa obráťte na výrobcu.
- S dodanou nabíjačkou NENABÍJAJTE iné typy batérií. Počas nabíjania skontrolujte, či sa do 2 m od nabíjačky nenachádza žiadny horľavý materiál.
- Pri dlhodobom uskladnení batériu každý polrok úplne nabite, čím zaistíte jej kvalitu. V opačnom prípade môže dôjsť k poškodeniu.
- Batériu NEDÁVAJTE do blízkosti zdrojov tepla alebo ohňa. Vyvarujte sa priameho slnečného žiarenia.
- Batériu NEPREHŤAJTE, aby nedošlo k popáleniu chemikáliami.
- Batériu NEDÁVAJTE do dosahu detí.
- Keď má zariadenie vypnuté napájanie a batéria RTC je plne nabitá, nastavenie času možno uchovať 15 dní.
- Pri prvom použití zapnite zariadenie a nabíjajte batériu RTC s lítiovou batériou dlhšie ako 10 hodín.
- Napätie batérie je 3,6 V a kapacita batérie je 6 700 mAh.
- Batéria je certifikovaná podľa normy UL2054.

## Údržba

- Ak produkt nepracuje správne, obráťte sa na predajcu alebo na najbližšie servisné stredisko. Nepreberáme žiadnu zodpovednosť za problémy spôsobené neoprávnenou opravou alebo údržbou.
- Niekoľko komponentov zariadenia (napr. elektrolytický kondenzátor) si vyžadujú pravidelnú výmenu. Priemerná doba životnosti sa líši, preto odporúčame pravidelnú kontrolu. So žiadosťou o ďalšie podrobnosti sa obráťte na predajcu.
- V prípade potreby zariadenie jemne utrite čistou handričkou a malým množstvom etanolu.
- Ak sa zariadenie používa spôsobom, ktorý výrobca neuvádza, môže dôjsť k zníženiu ochrany poskytovanej zariadením.
- Odporúčame vám odoslať zariadenie späť na kalibráciu raz ročne, pričom ďalšie informácie o miestach údržby vám poskytne miestny predajca.
- Upozorňujeme, že limit hodnoty prúdu pre port USB 3.0 PowerShare sa môže líšiť podľa značky počítača, čo môže viesť k problémom s kompatibilitou. Ak počítač nerozpozná zariadenie USB cez port USB 3.0 PowerShare, odporúča sa použiť štandardný port USB 3.0 alebo USB 2.0.

## Prevádzkové prostredie

- Zariadenie NEVYSTAVUJTE extrémne horúcemu, chladnému, prašnému, korozívnemu, slanému alkalickejmu alebo vlhkému prostrediu. Zabezpečte, aby prevádzkové prostredie spĺňalo požiadavky zariadenia. Prevádzková teplota musí byť -20 °C až 50 °C (-4 °F až 122 °F) a prevádzková vlhkosť nesmie byť vyššia ako 90 %.
- Toto zariadenie sa môže bezpečne používať iba v oblastiach s nadmorskou výškou nižšou ako 2000 metrov.
- Zariadenie umiestnite v suchom a dobre vetranom prostredí.
- Zariadenie NEVYSTAVUJTE silnému elektromagnetickému žiareniu ani prašnému prostrediu.
- Objektívom NEMIERTE na slnko ani na žiadny iný silný zdroj svetla.
- Pri používaní akéhokoľvek laserového vybavenia zabezpečte, aby šošovka zariadenia nebola vystavená laserovému lúču, inak sa môže vypáliť.
- Zariadenie je vhodné na použitie vo vnútornom aj vonkajšom prostredí, ale nevystavujte ho vlhkému prostrediu.
- Trieda ochrany je IP 54.
- Miera znečistenia je 2.

## Núdzový režim

- Ak zo zariadenia vychádza dym, zápach alebo hluk, ihneď vypnite napájanie, odpojte napájací kábel a obráťte sa na servisné stredisko.

## Laser

Upozornenie: Laserové žiarenie vysielané zo zariadenia môže spôsobiť zranenie očí, popálenie pokožky alebo zapálenie horľavých látok. Chráňte oči pred priamym vystavením laseru. Pred zapnutím funkcie dodatočného osvetlenia skontrolujte, či sa pred laserovou šošovkou nenachádza žiadna osoba ani horľavá látka. Vlnová dĺžka je 650 nm a výkon je nižší ako 1 mW. Laser spĺňa požiadavky normy IEC60825-1:2014.



Údržba lasera: Nevyžaduje sa pravidelná údržba lasera. Ak laser nepracuje, príslušenstvo lasera je počas doby trvania záruky potrebné vymeniť vo výrobnom závode. Pri výmene príslušenstva lasera musí byť vypnuté napájanie zariadenia. Výstraha – Používanie ovládacích prvkov, úprav alebo vykonanie postupov, ktoré sa líšia od tých, ktoré sú tu uvedené, môže viesť k nebezpečnému vystaveniu žiareniu.

POZNÁMKA O SÚLADE S PREDPISMI: Produkty z radu teplocitlivých prístrojov môžu podliehať exportnej regulácii v rôznych krajinách alebo regiónoch vrátane napríklad Spojených štátov amerických, Európskej únie, Spojeného

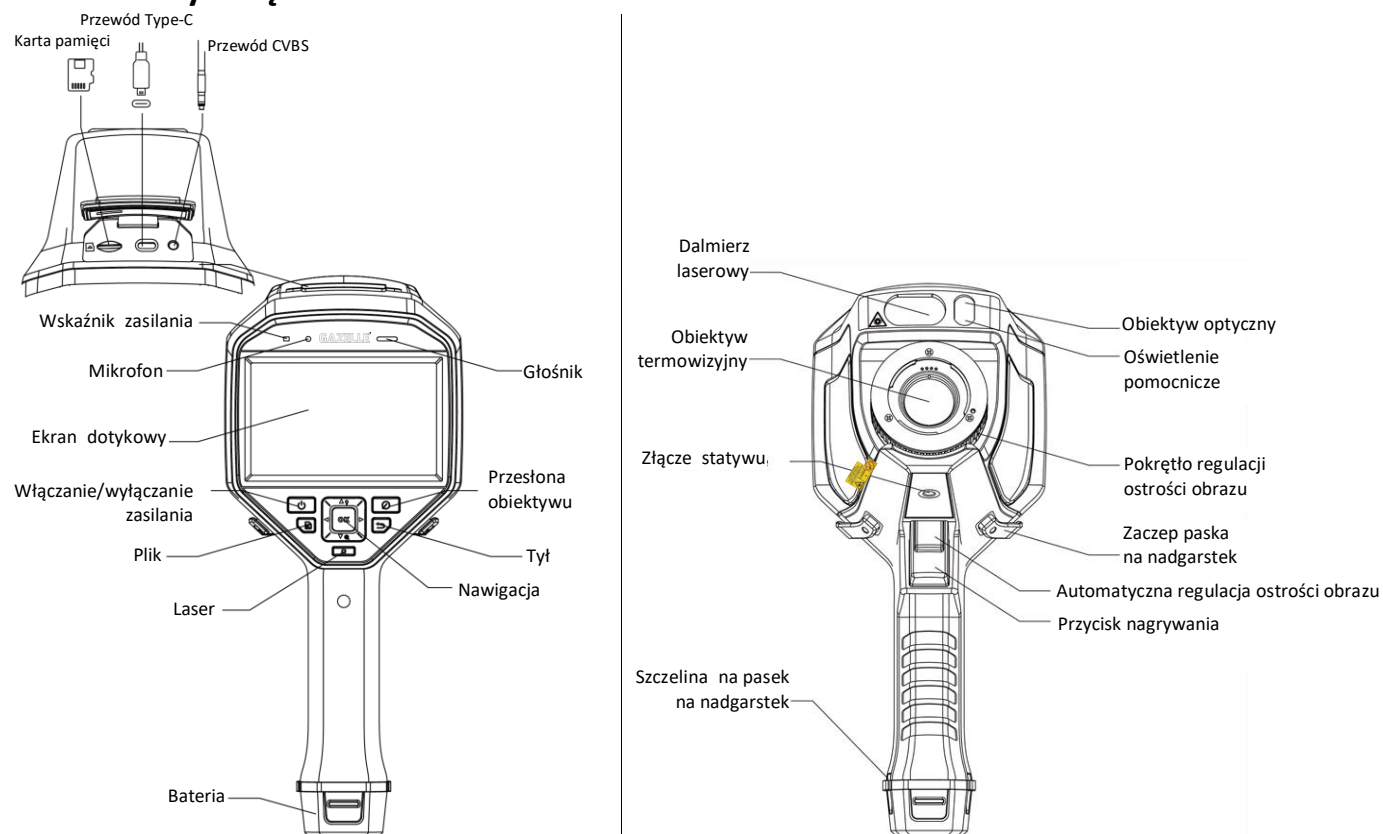
kráľovstva prípadne aj krajín Wassaenaarskeho usporiadania. Ak máte v úmysle prenášať, exportovať alebo re-exportovať produkty z radu teplocitlivých prístrojov cez hranice medzi rôznymi krajinami, poraďte sa so svojim odborným expertom na legislatívu alebo súlad s predpismi alebo miestnymi úradmi verejnej správy, či existuje povinnosť mať exportné povolenie.

## 1. Opis urządzenia

Ręczna kamera termowizyjna rejestruje obraz w zakresie światła widzialnego i podczerwieni. Kamera może wykonywać pomiary termograficzne i pomiary odległości, nagrywać wideo i wykonywać zdjęcia, obsługiwać alarmy itp. Wbudowany detektor podczerwieni o dużej czułości i skuteczności wykrywa zmiany temperatury i wykonuje pomiary temperatury w czasie rzeczywistym. Pomiary temperatury są wykonywane w zakresie od –20°C do +650°C z dokładnością  $\pm 2^\circ\text{C}$  (2%). Ułatwia to użytkownikom wykrywanie zagrożonego wyposażenia i zapobieganie zniszczeniu mienia.

Urządzenie umożliwia wyświetlanie podglądu na żywo, wykonywanie zdjęć i nagrywanie wideo przy użyciu telefonu.

## 2. Elementy urządzenia



**Uwaga:** Etykieta ostrzegawcza znajduje się poniżej lasera i na lewym panelu obudowy urządzenia.

Element	Funkcja
Przycisk nawigacyjny	Tryb z menu: <ul style="list-style-type: none"> <li>● Naciśnij przyciski <math>\nabla</math>, <math>\triangle</math>, <math>\triangleright</math> i <math>\triangleleft</math>, aby wybrać ustawienia.</li> <li>● Naciśnij przycisk <b>OK</b>, aby potwierdzić.</li> </ul>
	Tryb bez menu: <ul style="list-style-type: none"> <li>● Naciśnij przycisk <math>\triangle</math>, aby włączyć/wyłączyć pomocnicze oświetlenie LED.</li> <li>● Naciśnij przycisk <math>\nabla</math>, aby rozpocząć powiększanie cyfrowe.</li> </ul>

Element	Funkcja
Przycisk lasera	Naciśnij i przytrzymaj przycisk, aby włączyć laser, i zwolnij przycisk w celu wyłączenia lasera.
Przycisk przesłony obiektywu	Przesłonięcie obiektywu w celu wprowadzenia korekt.
Przycisk Wstecz	Zamknięcie menu lub ponowne wyświetlenie poprzedniego menu.
Pokrętło regulacji ostrości obrazu	Regulacja ogniskowej obiektywu.
Przycisk kamery	Naciśnij przycisk kamery, aby wykonać zdjęcie lub zeskanować kod QR. Naciśnij i przytrzymaj przycisk kamery, aby nagrać wideo.
Automatyczna regulacja ostrości obrazu	Naciśnij przycisk kamery, aby włączyć/wyłączyć funkcję automatycznej regulacji ostrości obrazu.
Złącze przewodu	Ładowanie baterii urządzenia lub eksportowanie plików przy użyciu przewodu dostarczonego razem z urządzeniem.

### 3. Ładowanie baterii urządzenia

Po uruchomieniu urządzenia w nakładce ekranowej (OSD) wyświetlane są informacje o stanie baterii. Gdy poziom naładowania baterii jest niski, należy naładować baterię, aby umożliwić prawidłowe funkcjonowanie urządzenia.

Podczas pierwszego ładowania należy włączyć urządzenie i ładować jego baterię przez 10 godzin.

#### Uwaga:

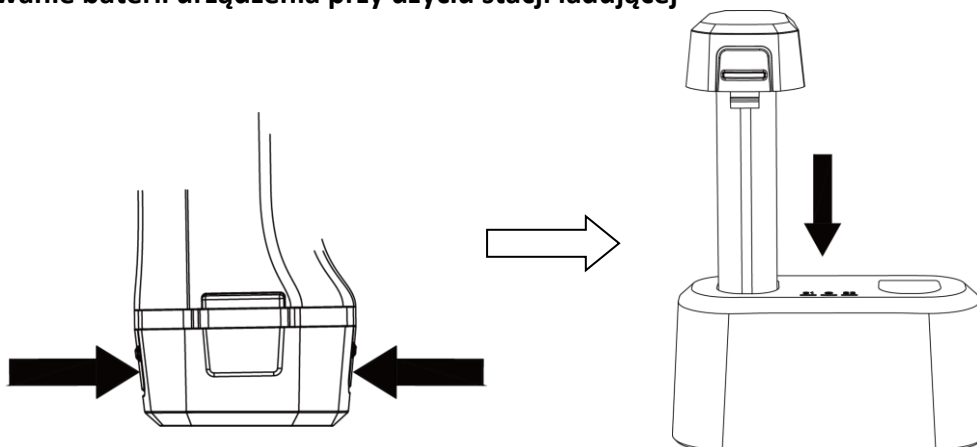
- Wbudowana bateria pastylkowa, zasilająca zegar czasu rzeczywistego (RTC) urządzenia, może zostać rozładowana podczas transportu lub przechowywania przez dłuższy czas. Aby zapewnić prawidłowe funkcjonowanie zegara RTC urządzenia, należy ponownie naładować tę baterię.
- Aby całkowicie ponownie naładować baterię zegara RTC, należy spełnić następujące wymagania:
  - a) Litowe baterie akumulatorowe powinny być zainstalowane w urządzeniu.
  - b) Urządzenie powinno być włączone przez ponad 10 godzin przed zamknięciem systemu.

#### 3.1 Ładowanie baterii urządzenia przy użyciu przewodu

##### Procedura

1. Podnieś pokrywę złącza.
2. Podłącz przewód i naładuj baterię urządzenia.

#### 3.2 Ładowanie baterii urządzenia przy użyciu stacji ładującej



##### Procedura:

1. Przytrzymaj urządzenie i naciśnij oba zaczepy baterii.



2. Naciśnij i przytrzymaj zaczepy, a następnie pociągnij podstawę baterii, aby wyjąć baterię.
3. Umieść baterię w stacji ładującej. Wskaźnik na stacji sygnalizuje stan ładowania.
4. Po całkowitym naładowaniu baterii wyjmij ją ze stacji ładującej.
5. Zainstaluj baterię w urządzeniu.

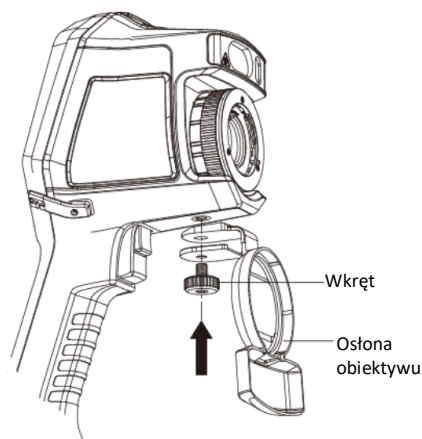
**Uwaga:** Baterię urządzenia należy ładować przy użyciu przewodu i zasilacza dostarczonego przez producenta urządzenia (lub zgodnego ze specyfikacjami napięcia wejściowego).

#### 4. Korzystanie z osłony obiektywu

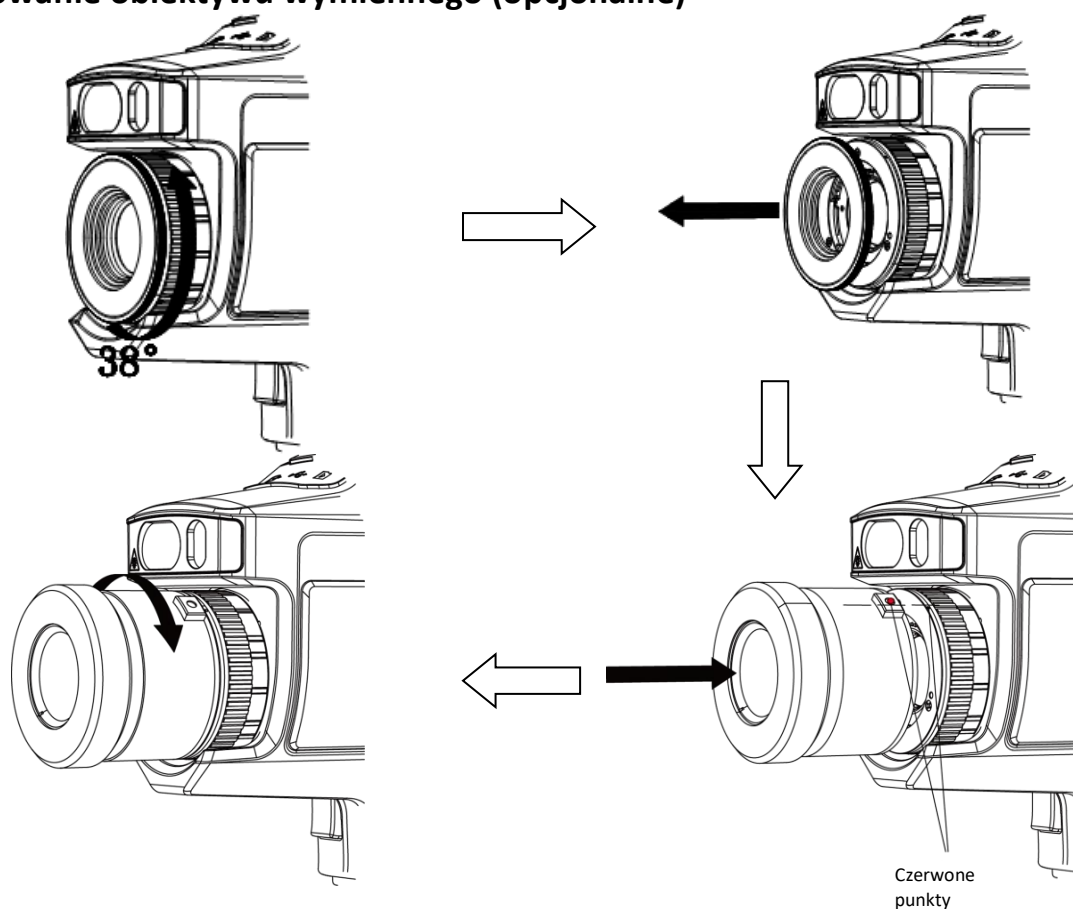
Gdy urządzenie nie jest używane, należy założyć osłonę obiektywu.

##### Procedura

1. Ustaw otwór w obudowie urządzenia zgodnie z otworem montażowym w osłonie obiektywu.
2. Włóż śrubę i obróć ją zgodnie z kierunkiem ruchu wskazówek zegara.



#### 5. Instalowanie obiektywu wymiennego (opcjonalne)



##### Procedura

1. Obróć pierścień o 38° przeciwnie do kierunku ruchu wskazówek zegara.

2. Usunąć pierścienie.
3. Ustawić zgodnie dwa czerwone punkty na obiektywie wymiennym i urządzeniu, a następnie obrócić obiektyw wymienny zgodnie z kierunkiem ruchu wskazówek zegara, aby zakończyć instalację.
4. Obrócić obiektyw wymienny zgodnie z kierunkiem ruchu wskazówek zegara, aby go przymocować.

## Informacje prawne

### Opis podręcznika

Podręcznik zawiera instrukcje dotyczące korzystania z produktu i obchodzenia się z nim. Zdjęcia, rysunki, wykresy i pozostałe informacje zamieszczono w podręczniku wyłącznie dla celów informacyjnych i opisowych. Informacje zamieszczone w podręczniku mogą ulec zmianie bez powiadomienia w związku z aktualizacjami oprogramowania układowego lub w innych okolicznościach. Najnowsza wersja tego podręcznika jest dostępna w witrynie internetowej firmy.

Oprócz tego podręcznika należy korzystać z porad specjalistów z działu pomocy technicznej związanej z produktem.

### Znaki towarowe

Znaki towarowe i logo użyte w podręczniku należą do odpowiednich właścicieli.

### ZASTRZEŻENIA PRAWNE

W PEŁNYM ZAKRESIE DOZWOLONYM PRZEZ OBOWIĄZUJĄCE PRAWO TEN PODRĘCZNIK, OPISANY PRODUKT I ZWIĄZANE Z NIM WYPOSAŻENIE ORAZ OPROGRAMOWANIE APLIKACYJNE I UKŁADOWE SĄ UDOSTĘPNIANE BEZ GWARANCJI. NASZA FIRMA NIE UDZIELA ŻADNYCH WYRAŹNYCH ANI DOROZUMIANYCH GWARANCJI, TAKICH JAK GWARANCJE DOTYCZĄCE PRZYDATNOŚCI HANDLOWEJ, JAKOŚCI LUB PRZYDATNOŚCI DO OKREŚLONEGO CELU. UŻYTKOWNIK KORZYSTA Z PRODUKTU NA WŁASNE RYZYKO. NIEZALEŻNIE OD OKOLICZNOŚCI NASZA FIRMA NIE PONOSI ODPOWIEDZIALNOŚCI ZA STRATY SPECJALNE, WYNIKOWE, PRZYPADKOWE LUB POŚREDNIE, TAKIE JAK STRATA OCZEKIWANYCH ZYSKÓW Z DZIAŁALNOŚCI BIZNESOWEJ, PRZERWY W DZIAŁALNOŚCI BIZNESOWEJ, USZKODZENIE SYSTEMÓW ALBO STRATA DANYCH LUB DOKUMENTACJI, WYNIKAJĄCE Z NARUSZENIA UMOWY, PRZEWINIENIA (ŁĄCZNIE Z ZANIEDBANIEM), ODPOWIEDZIALNOŚCI ZA PRODUKT LUB INNYCH OKOLICZNOŚCI, ZWIĄZANE Z UŻYCIEM TEGO PRODUKTU, NAWET JEŻELI NASZA FIRMA ZOSTAŁA POINFORMOWANA O MOŻLIWOŚCI WYSTĄPIENIA TAKICH SZKÓD LUB STRAT.

UŻYTKOWNIK PRZYJMUJE DO WIADOMOŚCI, ŻE KORZYSTANIE Z INTERNETU JEST ZWIĄZANE Z ZAGROŻENIAMI DLA BEZPIECZEŃSTWA, A NASZA FIRMA NIE PONOSI ODPOWIEDZIALNOŚCI ZA NIEPRAWIDŁOWE FUNKCJONOWANIE, WYCIEK POUFNYCH INFORMACJI LUB INNE SZKODY WYNIKAJĄCE Z ATAKU CYBERNETYCZNEGO, ATAKU HAKERA, DZIAŁANIA WIRUSÓW LUB INNYCH ZAGROŻEŃ DLA BEZPIECZEŃSTWA W INTERNECIE. NASZA FIRMA ZAPEWNI JEDNAK TERMINOWĄ POMOC TECHNICZNĄ, JEŻELI BĘDZIE TO WYMAGANE.

UŻYTKOWNIK ZOBOWIĄDUJE SIĘ DO KORZYSTANIA Z PRODUKTU ZGODNIE Z PRZEPISAMI I PRZYJMUJE DO WIADOMOŚCI, ŻE JEST ZOBOWIĄZANY DO ZAPEWNIENIA ZGODNOŚCI UŻYCIA PRODUKTU Z PRZEPISAMI. W SZCZEGÓLNOŚCI UŻYTKOWNIK JEST ZOBOWIĄZANY DO KORZYSTANIA Z PRODUKTU W SPOSÓB, KTÓRY NIE NARUSZA PRAW STRON TRZECICH, DOTYCZĄCYCH NA PRZYKŁAD WIZERUNKU KOMERCYJNEGO, WŁASNOŚCI INTELEKTUALNEJ LUB OCHRONY DANYCH I PRYWATNOŚCI. UŻYTKOWNIK NIE BĘDZIE UŻYWAĆ PRODUKTU DO CELÓW ZABRONIONYCH, TAKICH JAK OPRACOWANIE LUB PRODUKCJA BRONI MASOWEGO RAŻENIA ALBO BRONI CHEMICZNEJ LUB BIOLOGICZNEJ ORAZ DZIAŁANIA ZWIĄZANE Z WYBUCHOWYMI MATERIAŁAMI NUKLEARNYMI, NIEBEZPIECZNYM CYKLEM PALIWOWYM LUB ŁAMANIEM PRAW CZŁOWIEKA.

W PRZYPADKU NIEZGODNOŚCI NINIEJSZEGO PODRĘCZNIKA Z OBOWIĄZUJĄCYM PRAWEM, WYŻSZY PRIORYTET BĘDZIE MIAŁO OBOWIĄZUJĄCE PRAWO.

## Informacje dotyczące przepisów

### Deklaracja zgodności z dyrektywami Unii Europejskiej



Ten produkt i ewentualnie dostarczone z nim akcesoria oznaczono symbolem „CE” potwierdzającym zgodność z odpowiednimi ujednoliconymi normami europejskimi, uwzględnionymi w dyrektywie 2014/30/EU dotyczącej kompatybilności elektromagnetycznej (EMC) i dyrektywie 2011/65/EU w sprawie ograniczenia stosowania niektórych niebezpiecznych substancji w sprzęcie elektrycznym i elektronicznym (RoHS).



Dyrektywa 2012/19/EU w sprawie zużytego sprzętu elektrycznego i elektronicznego (WEEE): Produktów oznaczonych tym symbolem nie wolno utylizować na obszarze Unii Europejskiej jako niesegregowane odpady komunalne. Aby zapewnić prawidłowy recykling, należy zwrócić ten produkt do lokalnego dostawcy przy zakupie równoważnego nowego urządzenia lub utylizować go w wyznaczonym punkcie selektywnej zbiórki odpadów. Aby uzyskać więcej informacji, skorzystaj z witryny internetowej [www.recyclethis.info](http://www.recyclethis.info).



Dyrektywa 2006/66/EC w sprawie baterii i akumulatorów: Ten produkt zawiera baterię, której nie wolno utylizować na obszarze Unii Europejskiej jako niesegregowane odpady komunalne. Szczegółowe informacje dotyczące baterii zamieszczono w dokumentacji produktu. Bateria jest oznaczona tym symbolem, który może także zawierać litery wskazujące na zawartość kadmu (Cd), ołowiu (Pb) lub rtęci (Hg). Aby zapewnić prawidłowy recykling, należy zwrócić baterię do dostawcy lub przekazać ją do wyznaczonego punktu zbiórki. Aby uzyskać więcej informacji, skorzystaj z witryny internetowej [www.recyclethis.info](http://www.recyclethis.info).

### Zalecenia dotyczące bezpieczeństwa

Te zalecenia pozwalają prawidłowo korzystać z produktu i uniknąć zagrożenia użytkowników lub zniszczenia wyposażenia.

#### Przepisy i rozporządzenia

- Produkt powinien być użytkowany zgodnie z lokalnymi rozporządzeniami dotyczącymi bezpiecznego korzystania z urządzeń elektrycznych.

#### Transport

- Podczas transportu urządzenie powinno być umieszczone w oryginalnym lub podobnym opakowaniu.
- Należy zachować opakowanie urządzenia. W przypadku wystąpienia usterki urządzenia należy zwrócić je do zakładu produkcyjnego w oryginalnym opakowaniu. Producent nie ponosi odpowiedzialności za uszkodzenie urządzenia na skutek transportu bez oryginalnego opakowania.
- Należy chronić urządzenie przed upadkiem lub udarami mechanicznymi. Należy chronić urządzenie przed zakłóceniami magnetycznymi.

#### Zasilanie

- Napięcie wejściowe powinno spełniać wymagania dotyczące źródeł zasilania z własnym ograniczeniem (LPS; 5 V DC, 940 mA) zgodnie z normą IEC61010-1. Szczegółowe informacje zamieszczono w sekcji zawierającej dane techniczne.
- Należy upewnić się, że wtyczka jest prawidłowo podłączona do gniazda sieci elektrycznej.
- NIE wolno podłączać wielu urządzeń do jednego zasilacza, ponieważ może to spowodować przegrzanie lub zagrożenie pożarowe na skutek przeciążenia.

## **Bateria**

- Wbudowana bateria nie jest przystosowana do demontażu przez użytkownika. Jeżeli konieczne jest wykonanie naprawy, należy skontaktować się z producentem.
- NIE wolno ładować baterii innego typu przy użyciu ładowarki dostarczonej razem z urządzeniem. Należy upewnić się, że żadne palne materiały nie znajdują się w promieniu dwóch metrów od ładowarki podczas ładowania.
- Jeżeli bateria jest przechowywana przez dłuższy czas, należy naładować ją całkowicie co pół roku, aby zapewnić jej prawidłowy stan techniczny. Ignorowanie tego zalecenia może spowodować uszkodzenie.
- NIE wolno umieszczać baterii w pobliżu źródeł ciepła lub ognia. Należy chronić urządzenie przed bezpośrednim światłem słonecznym.
- NIE wolno połykać baterii, ponieważ może to spowodować oparzenia chemiczne.
- NIE wolno umieszczać baterii w miejscu dostępnym dla dzieci.
- Gdy zasilanie urządzenia jest wyłączone, a bateria zegara RTC jest całkowicie naładowana, ustawienia zegara są przechowywane przez 15 dni.
- Przed pierwszym użyciem należy wyłączyć zasilanie urządzenia i ładować baterię zegara RTC przy użyciu baterii litowej przez ponad 10 godzin.
- Urządzenie jest zasilane przy użyciu baterii o napięciu znamionowym 3,6 V i pojemności 6700 mAh.
- Bateria uzyskała certyfikat UL2054.

## **Konserwacja**

- Jeżeli produkt nie działa prawidłowo, należy skontaktować się z dystrybutorem lub najbliższym centrum serwisowym. Producent nie ponosi odpowiedzialności za problemy spowodowane przez nieautoryzowane prace naprawcze lub konserwacyjne.
- Konieczna jest regularna wymiana kilku podzespołów urządzenia (np. kondensatora elektrolitycznego). Przeciętny okres użytkowania może być różny, dlatego zalecane jest regularne sprawdzanie stanu technicznego podzespołów. Aby uzyskać więcej informacji, należy skontaktować się z dystrybutorem.
- Należy przetrzeć urządzenie ostrożnie czystą ściereczką zwilżoną niewielką ilością etanolu, jeżeli jest to konieczne.
- Użycie urządzenia niezgodnie z zaleceniami może spowodować anulowanie gwarancji producenta.
- Zalecane jest przysyłanie urządzenia do producenta co rok w celu kalibracji i skontaktowanie się z lokalnym dystrybutorem w celu uzyskania informacji dotyczących elementów urządzenia wymagających konserwacji.
- Ograniczenie natężenia prądu złącza USB 3.0 PowerShare jest zależne od marki komputera, co może spowodować niezgodność. Zalecane jest więc użycie zwykłego złącza USB 3.0 lub USB 2.0, jeżeli komputer nie rozpozna urządzenia podłączonego do złącza USB 3.0 PowerShare.

## **Warunki otoczenia**

- Należy chronić urządzenie przed ekstremalnie wysokimi lub niskimi temperaturami, pyłem, kurzem, substancjami korozyjnymi, roztworami soli, zasadami i wilgocią. Należy upewnić się, że warunki otoczenia spełniają wymagania określone przez producenta urządzenia. Podczas użytkowania urządzenia temperatura otoczenia powinna wynosić od  $-20^{\circ}\text{C}$  do  $+50^{\circ}\text{C}$ , a wilgotność nie powinna być większa niż 90%.
- To urządzenie może być bezpiecznie użytkowane tylko na wysokości poniżej 2000 metrów nad poziomem morza.
- Urządzenie należy umieścić w suchym i odpowiednio wentylowanym miejscu.
- Należy chronić urządzenie przed silnym promieniowaniem elektromagnetycznym oraz kurzem i pyłem.
- NIE wolno kierować obiektywu w stronę słońca ani innego źródła intensywnego światła.
- Jeżeli używane jest wyposażenie laserowe, należy upewnić się, że obiektyw urządzenia nie jest oświetlany przez wiązkę lasera, ponieważ może to spowodować jego spalanie.
- Urządzenie jest przeznaczone do użytku w budynkach lub na zewnątrz budynków, ale powinno być chronione przed wilgocią.
- Stopień ochrony IP 54.

- Stopień zanieczyszczenia środowiska 2.

### Poważne awarie

- Jeżeli urządzenie wydziela dym lub intensywny zapach albo emituje hałas, należy niezwłocznie wyłączyć zasilanie i odłączyć przewód zasilający, a następnie skontaktować się z centrum serwisowym.

### Laser

Ostrzeżenie: Promieniowanie laserowe emitowane przez urządzenie może spowodować zranienie oczu, oparzenie skóry lub zapłon substancji palnych. Należy chronić oczy przed wiązką lasera. Przed włączeniem oświetlenia pomocniczego należy upewnić się, że żadne osoby lub substancje palne nie znajdują się na ścieżce wiązki laserowej. Długość fali wynosi 650 nm, a moc nie przekracza 1 mW. Laser spełnia wymagania normy IEC60825-1:2014.



Konserwacja lasera: Regularna konserwacja lasera nie jest wymagana. Jeżeli laser nie działa, należy wymienić moduł lasera w zakładzie produkcyjnym, korzystając z uprawnień gwarancyjnych. Podczas wymiany modułu lasera urządzenie powinno być wyłączone. Przestroga: Korzystanie z elementów obsługowych lub regulacyjnych albo wykonywanie procedur niezgodnie z zaleceniami podanymi w tej publikacji może spowodować narażenie na szkodliwe promieniowanie.

UWAGA DOTYCZĄCA ZGODNOŚCI Z PRZEPISAMI: Produkty termowizyjne mogą podlegać kontroli eksportu w różnych krajach lub regionach, takich jak Stany Zjednoczone, Wielka Brytania lub kraje członkowskie Unii Europejskiej, które sygnowały porozumienie Wassenaar. Jeżeli planowane jest przesyłanie, eksportowanie lub reeksportowanie produktów termowizyjnych przez granice państw, należy skonsultować się z ekspertem w dziedzinie prawa lub zgodności z przepisami albo lokalnymi urzędami administracji państwowej, aby uzyskać informacje dotyczące wymaganej licencji eksportowej.

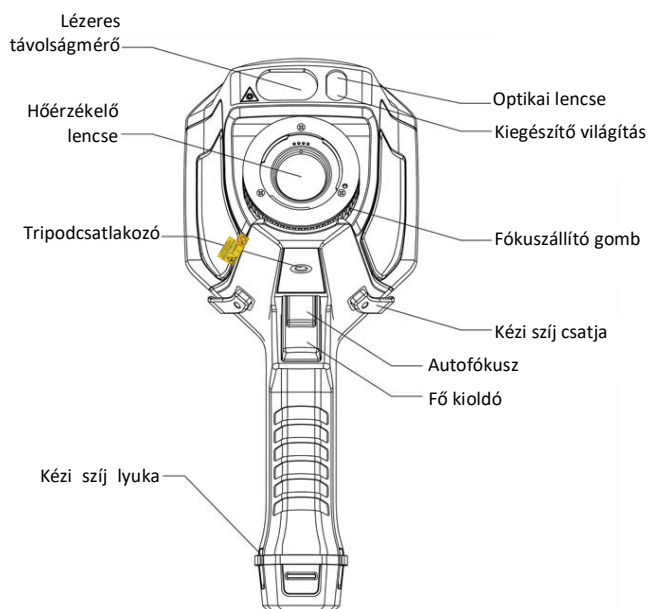
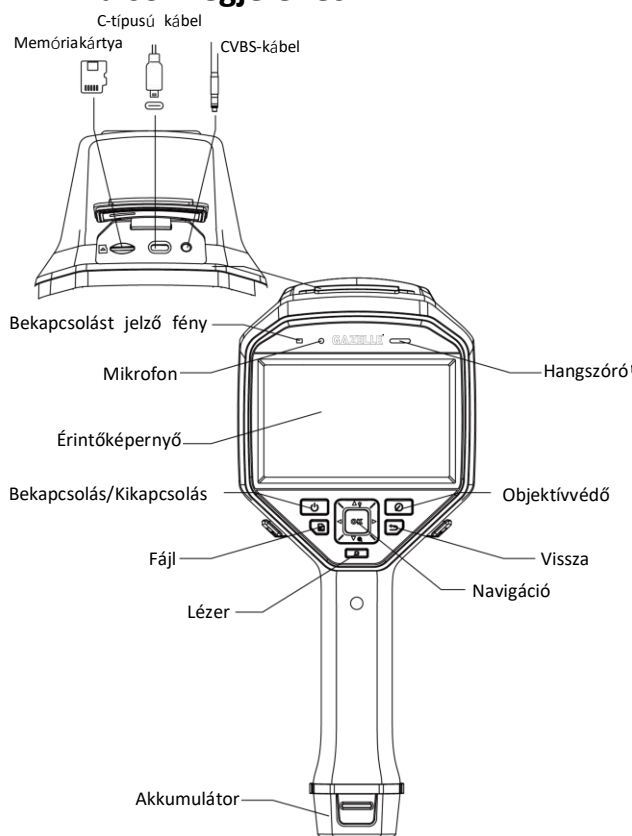
**Magyar**

## 1. Rövid leírás

A kézi hőkamera olyan kamera, amely optikai és hőképek készítésére is képes. Alkalmas termográfia, távolságmérésre, pillanatfelvétel készítésére, riasztásra stb. A beépített nagy érzékenyséű infravörös detektor és a nagy teljesítményű érzékelő érzékeli a hőmérséklet-változást, és méri a valós idejű hőmérsékletet. A hőmérséklet-mérési tartomány  $-20\text{ °C} - 650\text{ °C} \pm 2\text{ °C}$ -os vagy 2%-os pontossággal. Segít a felhasználónak megtalálni a kockázatos részt és csökkenteni a vagyoni kárt.

Az eszköz támogatja az élőképet, a képrögzítést és a felvételt a telefonon.

## 2. Külső megjelenés



**Megjegyzés:** A figyelmeztető jelzés a lézer alatt és az eszköz bal oldalán található.

Összetevő	Funkció
Navigációs gomb	Menüalapú üzemmód: <ul style="list-style-type: none"> <li>● A ▽, △, ▷ és ◁ gombok megnyomásával válassza ki a paramétereit.</li> <li>● A megerősítéshez nyomja meg az <b>OK</b> gombot.</li> </ul>
	Nem menüalapú üzemmód: <ul style="list-style-type: none"> <li>● Nyomja meg a △ gombot a kiegészítő LED-fény be-/kikapcsolásához.</li> <li>● Nyomja meg a ▽ gombot a digitális nagyítás/kicsinyítés indításához.</li> </ul>
Lézer gomb	Nyomja meg a gombot a lézer bekapcsolásához, engedje fel a gombot a lézer kikapcsolásához.
Objektívvédő gomb	Takarja el az objektívet a korrekció elvégzéséhez.
Vissza gomb	Kilépés a menüből vagy visszatérés az előző menübe.
Fókuszállító gomb	Beállítja az objektív fókusz távolságát.
Indító	Húzza meg az indítót a QR-kód rögzítéséhez vagy leolvasásához. Tartsa meghúzva a ravaszt a videofelvételhez.
Autofókusz	Húzza meg az indítót az autofókusz be-/kikapcsolásához.
Kábelcsatlakozó	A mellékelt kábellel töltheti az eszközt, vagy fájlokat exportálhat.

### 3. Az eszköz töltése

Az eszköz indítása után az OSD (kijelzés a képernyőn) mutatja a telep töltöttségi állapotát. Ha a töltöttség alacsony, tölts fel az eszközt, és biztosítsa annak megfelelő működését.

Első alkalommal tölts az eszközt 10 órán át kikapcsolt állapotban.

#### Megjegyzés:

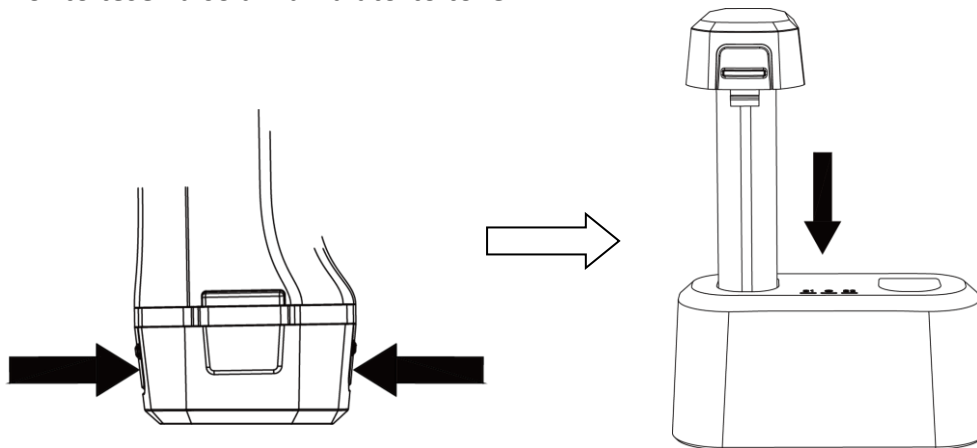
- Az eszköz valós idejű óráját (RTC) működtető beépített akkumulátorcella hosszú ideig tartó szállítás vagy tárolás során lemerülhet. Az eszköz órájának helyes működése érdekében javasoljuk, hogy tölts fel az RTC akkumulátorát.
- Az RTC akkumulátorának teljes feltöltéséhez a következő követelményeknek kell teljesülni:
  - a) Az újratölthető lítium-akkumulátornak az eszközben kell lennie.
  - b) Az eszköznek a leállítás előtt legalább 10 órán át működnie kell.

#### 3.1 Az eszköz töltése kábelcsatlakozón

##### Lépések

1. Emelje fel a csatlakozó fedelét.
2. Csatlakoztassa a kábelt az eszköz töltéséhez.

#### 3.2 Az eszköz töltése külső akkumulátortöltővel



##### Lépések:

1. Fogja meg az eszközt, és nyomja meg mindkét akkumulátortartó zárófület.
2. Tartsa nyomva a zárat, és húzza az akkumulátor modult a kivételhez.
3. Helyezze az akkumulátort a külső akkumulátortöltőbe. A töltési állapotot a külső akkumulátortöltő visszajelző fényével ellenőrizheti.
4. Ha az akkumulátor teljesen feltöltött, húzza ki az akkumulátort a külső akkumulátortöltőből.
5. Helyezzen akkumulátort az eszközbe.

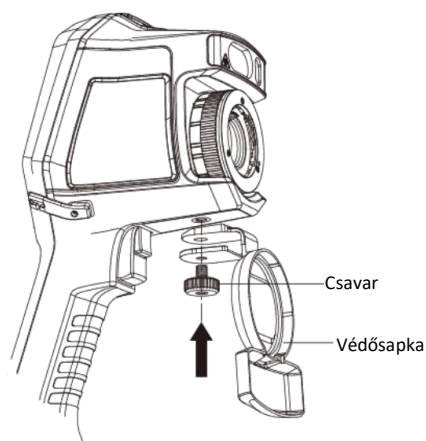
**Megjegyzés:** Az eszközt csak a gyártó által biztosított (vagy a műszaki adatokban szereplő bemeneti feszültségnek megfelelő) kábellel és tápadapterrel tölts.

#### 4. Védősapka felszerelése

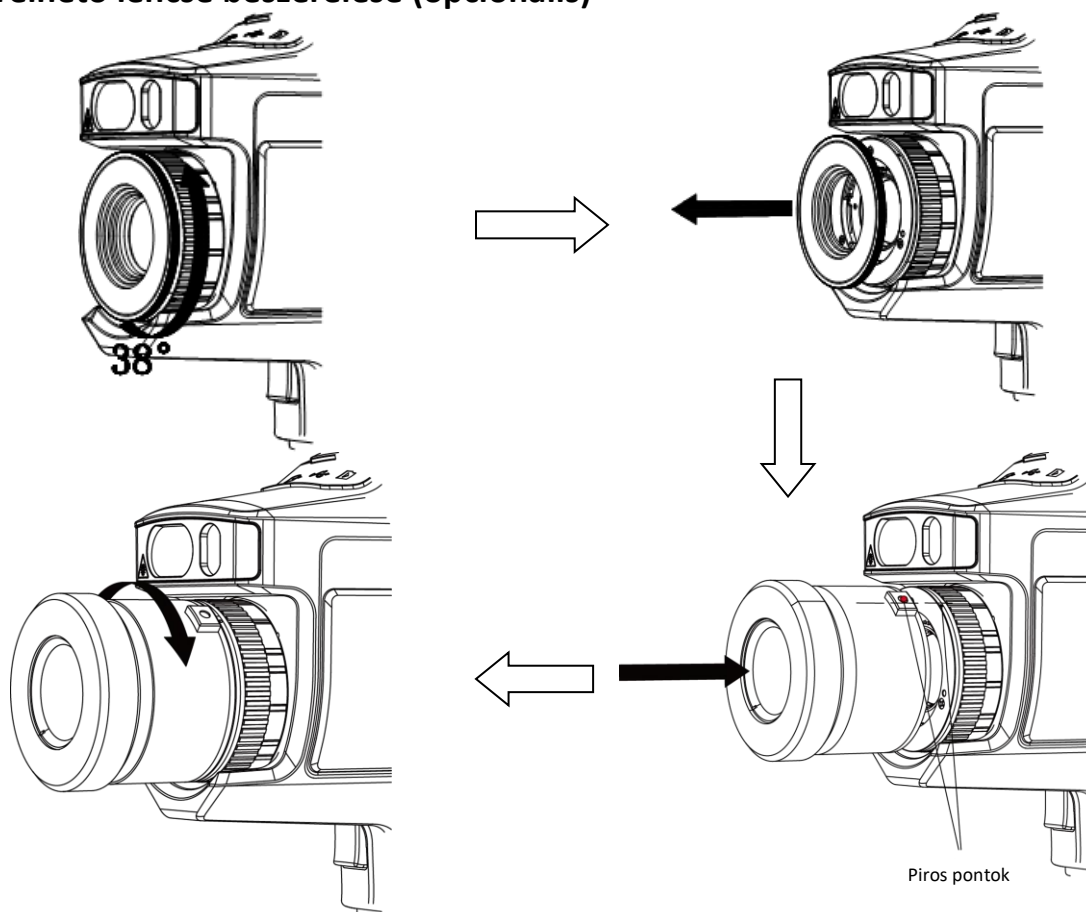
Akkor rögzítse a védősapkát, amikor az eszköz nincs használatban.

##### Lépések

1. Igazítsa az eszköz menetes furatát a lencsevédő rögzítőfuratához.
2. Helyezze be a csavart, majd forgassa az óramutató járásának megfelelően a lencsevédő rögzítéséhez.



#### 5. A cserélhető lencse beszerelése (opcionális)



##### Lépések

1. Fordítsa el a díszgyűrűt 38 fokkal az óramutató járásával ellentétesen.
2. Távolítsa el a díszgyűrűt.
3. Illessze egymáshoz a cserélhető lencsén és az eszközön látható két piros pontot, majd forgassa a cserélhető lencsét az óramutató járásával megegyező irányba a rögzítéshez.
4. Forgassa a cserélhető lencsét az óramutató járásával megegyező irányba a rögzítéshez.



## Jogi információk

Az útmutatóval kapcsolatos tudnivalók

Az útmutató a termék használatára és kezelésére vonatkozó utasításokat tartalmaz. Az itt szereplő képek, diagramok, ábrák és minden további információ csupán leírásként és magyarázatként szolgál. Az Útmutatóban szereplő információk a firmware-frissítések és egyéb okok miatt előzetes értesítés nélkül változhatnak. A kézikönyv legújabb verziója a vállalat weboldalán található.

Az Útmutatót a termékkel kapcsolatos támogatáshoz megfelelő képzéssel rendelkező szakemberek támogatásával és útmutatásával együtt használja.

### Védjegynyilatkozat

Az említett védjegyek és logók a megfelelő tulajdonosok tulajdonát képezik.

### JOGI NYILATKOZAT

EZT A KÉZIKÖNYVET, VALAMINT A BENNE SZEREPLŐ TERMÉKET ANNAK HARDVER-, SZOFTVER-ÖSSZETEVŐIVEL ÉS FIRMWARE-ÉVEL EGYÜTT „EREDETI FORMÁBAN” BIZTOSÍTJUK, „BELEÉRTVE AZOK ÖSSZES ESETLEGES HIBÁJÁT”. VÁLLALATUNK NEM VÁLLAL SEM KIFEJEZETT, SEM TÖRVÁNY ÁLTAL VÉLELMEZETT JÓTÁLLÁST TÖBBEK KÖZT AZ ELADHATÓSÁGRA, A KIELÉGÍTŐ MINŐSÉGRE VAGY AZ ADOTT CÉLRA VALÓ ALKALMASSÁGRA VONATKOZÓAN. A TERMÉKET KIZÁRÓLAG SAJÁT FELELŐSSÉGÉRE HASZNÁLHATJA. VÁLLALATUNK SEMMILYEN ESETBEN NEM VÁLLAL FELELŐSSÉGET A TERMÉK HASZNÁLATÁVAL ÖSSZEFÜGGŐ SEMMINEMŰ KÜLÖNLEGES, KÖVETKEZMÉNYES, ESETLEGES VAGY KÖZVETETT KÁRÉRT, BELEÉRTVE AZ ELMARADT HASZONBÓL, AZ ÜZLETMENET MEGSZAKADÁSÁBÓL, AZ ADATVESZTÉSBŐL, A RENDSZERHIBÁKBÓL ÉS A DOKUMENTÁCIÓ ELVESZTÉSÉBŐL EREDŐ KÁROKÉRT, ALAPULJANAK EZEK A KÁROK SZERZŐDÉSSZEGÉSEN, MAGÁNJOGI VÉTSÉGEN (BELEÉRTVE A HANYAGSÁGOT IS), TERMÉKFELELŐSSÉGEN VAGY MÁS ELVEN, MÉG AKKOR SEM, HA A VÁLLALATOT TÁJÉKOZTATTÁK AZ ILYEN KÁROK VAGY VESZTESÉGEK LEHETŐSÉGÉRŐL.

ÖN ELFOGADJA, HOGY AZ INTERNET TERMÉSZETÉNÉL FOGVA BIZTONSÁGI KOCKÁZATOKAT REJT, ÉS VÁLLALATUNK NEM VÁLLAL FELELŐSSÉGET A RENDELLENES MŰKÖDÉSÉRT, AZ ADATSZIVÁRGÁSÉRT VAGY MÁS OLYAN KÁROKÉRT, AMELYEK KIBERTÁMADÁSBÓL, HACKERTÁMADÁSBÓL, VÍRUSFERTŐZÉSÉBŐL VAGY MÁS, INTERNETES BIZTONSÁGI VESZÉLYBŐL EREDNEK; VÁLLALATUNK AZONBAN SZÜKSÉG ESETÉN IDŐBEN MŰSZAKI TÁMOGATÁST NYÚJT.

ÖN ELFOGADJA, HOGY EZT A TERMÉKET KIZÁRÓLAG A VONATKOZÓ TÖRVÉNYI ELŐÍRÁSOK BETARTÁSÁVAL HASZNÁLJA, ÉS HOGY A VONATKOZÓ TÖRVÉNYEKNEK MEGFELELŐ HASZNÁLAT KIZÁRÓLAG AZ ÖN FELELŐSSÉGE. KÜLÖNÖSKÉPPEN AZ ÖN FELELŐSSÉGE, HOGY A TERMÉK HASZNÁLATA SORÁN NE SÉRTSE HARMADIK FÉL JOGAIT, BELEÉRTVE, DE NEM KORLÁTOZVA A NYILVÁNOSSÁGRA, SZELLEMI TULAJDONRA, ADATOK VÉDELMEÉRE ÉS EGYÉB SZEMÉLYES ADATOKRA VONATKOZÓ JOGOKAT. A TERMÉKET NEM HASZNÁLHATJA TILTOTT CÉLRA, BELEÉRTVE A TÖMEGPOUSZTÍTÓ FEGYVEREK FEJLESZTÉSÉT VAGY GYÁRTÁSÁT, A VEGYI VAGY BIOLÓGIAI FEGYVEREK FEJLESZTÉSÉT VAGY GYÁRTÁSÁT, VALAMINT BÁRMILYEN, ROBBANÁSVESZÉLYES VAGY NEM BIZTONSÁGOS NUKLEÁRIS HASADÓANYAG-CIKLUSSAL KAPCSOLATOS TEVÉKENYSÉGET, ILLETVE EMBERI JOGI VISSZAÉLÉSEKET TÁMOGATÓ MÓDON TÖRTÉNŐ FELHASZNÁLÁST.

HA A JELEN KÉZIKÖNYV ÉS A HATÁLYOS TÖRVÉNY KÖZÖTT ELLENTMONDÁS TAPASZTALHATÓ, AKKOR AZ UTÓBBI A MÉRVADÓ.

## Szabályozással kapcsolatos információk

### EU megfeleléségi nyilatkozat



Ez a termék és tartozékai (amennyiben vannak) „CE” jelöléssel vannak ellátva, ezáltal megfelelnek a következő irányelvekben foglalt harmonizált európai szabványoknak: 2014/30/EU (EMC-irányelv), 2011/65/EU (RoHS-irányelv).



2012/19/EU (WEEE-irányelv): Az ezzel a jelzéssel ellátott termékeket nem lehet szelektálatlan kommunális hulladékként elhelyezni az Európai Unióban. A megfelelő újrahasznosítás érdekében vigye vissza ezt a terméket helyi beszállítójához, amikor új, egyenértékű berendezést vásárol, vagy adja le a kijelölt gyűjtőhelyeken. További információért keresse fel az alábbi honlapot: [www.recyclethis.info](http://www.recyclethis.info).



2006/66/EK (akkumulátorokról szóló irányelv): Ez a termék olyan elemet tartalmaz, amelyet nem lehet szelektálatlan kommunális hulladékként elhelyezni az Európai Unióban. A termékdokumentációban további információkat talál az elemről. Az elem ezzel a jelzéssel van ellátva. A jelzésen megtalálhatók lehetnek a kadmiumot (Cd), ólmot (Pb) vagy higanyt (Hg) jelző betűjelek. A megfelelő újrahasznosítás érdekében vigye vissza ezt a terméket a beszállítójához, vagy vigye egy kijelölt gyűjtőhelyre. További információért keresse fel az alábbi honlapot: [www.recyclethis.info](http://www.recyclethis.info)

## Biztonsági utasítások

Ezen utasítások célja annak biztosítása, hogy a felhasználó a terméket megfelelően tudja használni veszély vagy vagyoni veszteség elkerülése érdekében.

### Törvények és szabályok

- Az eszköz szigorúan csak a helyi villamosbiztonsági előírásoknak megfelelően használható.

### Szállítás

- Szállításkor tartsa az eszközt az eredeti csomagolásban vagy ahhoz hasonlóban.
- Kicsomagolás után őrizzen meg minden csomagolóanyagot a későbbi felhasználáshoz. Hiba esetén az eredeti csomagolásában kell a készüléket visszaküldenie a gyártónak. Az eredeti csomagolástól eltérő csomagolás a termék sérülését okozhatja. A vállalat ez esetben nem vállal semmilyen felelősséget.
- Ne ejtse le a terméket, és ne tegye ki ütődésnek. Tartsa távol a készüléket a mágneses zavarforrásoktól.

### Tápellátás

- A bemeneti feszültségnek meg kell felelnie a korlátozott áramforrásokra vonatkozó előírásoknak (5 V DC, 940 mA), az IEC61010-1 szabvány szerint. A részletes információkért olvassa el a műszaki adatokat.
- Ellenőrizze, hogy a tápcsatlakozó stabilan van-e csatlakoztatva a konnektorhoz.
- NE csatlakoztasson több eszközt egy hálózati adapterre, hogy elkerülje a túlterhelés okozta túlmelegedést vagy tűzveszélyt.

### Akkumulátor

- A beépített akkumulátor nem vehető ki. Kérjük, forduljon a gyártóhoz, ha javítás szükséges.
- A mellékelt töltővel NE töltsön más típusú akkumulátorokat. Ügyeljen arra, hogy töltés közben az akkumulátortöltő 2 méteres körzetén belül ne legyenek éghető anyagok.
- Az akkumulátor hosszú távú tárolásakor az akkumulátor minőségének biztosítása érdekében ellenőrizze fél évente, hogy az teljesen fel van-e töltve. Ellenkező esetben rongálódás következhet be.
- NE helyezze az akkumulátort hőforrás vagy nyílt láng közelébe. Óvja a közvetlen napsütéstől.
- A vegyi sérülések elkerülése érdekében NE nyelje le az akkumulátort.
- NE tartsa az akkumulátort gyermekek által elérhető helyen.
- Ha az eszköz ki van kapcsolva és az RTC akkumulátora fel van töltve, az időbeállítások 15 napig őrizhetők meg.
- Első használatkor kapcsolja be az eszközt, és töltsen az RTC lítium-akkumulátorát legalább 10 órán át.
- Az akkumulátor feszültsége 3,6 V, kapacitása pedig 6700 mAh.
- Az akkumulátor UL2054 tanúsítvánnyal rendelkezik.

## Karbantartás

- Ha a termék nem működik megfelelően, forduljon a kereskedőjéhez vagy a legközelebbi szervizközponthoz. Nem vállalunk felelősséget az illetéktelen javításból vagy karbantartásból eredő károkért.
- Az eszköz néhány alkatrésze (pl. az elektrolit-kondenzátor) rendszeres cserét igényel. Ezek átlagos élettartama változó, ezért időszakonkénti ellenőrzés ajánlott. Részletekért forduljon a kereskedőjéhez.
- Törölje le az eszközt egy tiszta ruhával és kis mennyiségű etanollal, ha szükséges.
- Ha az eszközt nem a gyártó által meghatározott módon használja, a védelem szintje csökkenhet.
- Javasoljuk, hogy az eszközt évente küldje vissza kalibrálásra, a karbantartással kapcsolatban pedig forduljon a helyi kereskedőhöz.
- Vegye figyelembe, hogy az USB 3.0 PowerShare port áramerősségének korlátja a számítógép márkájától függően eltérő lehet, ami kompatibilitási problémát okozhat. Ezért ha a számítógép USB 3.0 PowerShare portja nem ismeri fel az eszközt, javasoljuk, hogy használjon normál USB 3.0 vagy USB 2.0 portot.

## Használati környezet

- NE tegye ki az eszközt szélsőségesen forró, hideg, poros, korrozív, sós, lúgos vagy nedves környezet hatásának. Győződjön meg arról, hogy a használati környezet megfelel a készülék előírásainak. A megfelelő üzemelési hőmérséklet-tartomány  $-20^{\circ}\text{C} - 50^{\circ}\text{C}$  ( $-4^{\circ}\text{F} - 122^{\circ}\text{F}$ ), a megfelelő üzemelési páratartalom pedig legfeljebb 90%.
- Az eszköz csak a tengerszint feletti 2000 m-nél alacsonyabb térségekben használható biztonságosan.
- Az eszközt száraz és jól szellőző környezetben helyezze el.
- NE TEGYE ki az eszközt erős elektromágneses sugárzásnak vagy poros környezetnek.
- NE IRÁNYÍTSA az objektívet a Nap vagy más erős fényforrás irányába.
- Ha bármilyen lézerekészüléket használ, biztosítsa, hogy az eszköz lencsáját ne érje a lézersugár, különben az kiegészíthet.
- Az eszköz használható bel- és kültérben is, de ne tegye ki nedvességnek.
- A védelmi szint IP 54.
- A szennyezésvédelmi fokozat 2.

## Vészhelyzet

- Ha az eszköz füstöt, furcsa szagot vagy zajt bocsát ki, azonnal kapcsolja ki, húzza ki a tápkábelt, majd forduljon a szervizközpontozhoz.

## Lézer

Figyelmeztetés: A készülékből származó lézersugárzás szemsérüléseket eredményezhet, bőr vagy éghető anyagok égését okozhatja. Védje szemét a közvetlen lézersugárzástól. Mielőtt engedélyezné a Fénykiegészítő funkciót, győződjön meg arról, hogy nincsenek emberek vagy gyúlékony anyagok a lézertencse előtt. A hullámhossz 650 nm, a teljesítmény pedig kisebb, mint 1 MW. A lézer megfelel az IEC60825-1:2014 szabványnak.



A lézer karbantartása: A lézer nem igényel rendszeres karbantartást. Ha a lézer nem működik, a lézerberendezést a gyárban garanciálisan ki kell cserélni. A lézerberendezés cseréjekor az eszköz legyen kikapcsolva. Vigyázat – Az itt ismertetettől eltérő vezérlők, beállítások vagy eljárások használata veszélyes sugárzást okozhat.

MEGFELELŐSÉGI MEGJEGYZÉS: A termográfias sorozat termékeire exportszabályozás vonatkozhat különböző régiókban és országokban, pl. az Egyesült Államokban, az Európai Unióban, az Egyesült Királyságban és/vagy a wassenaari egyezmény más tagországaiban. Ha a termográfias sorozat termékeit különböző országok közt

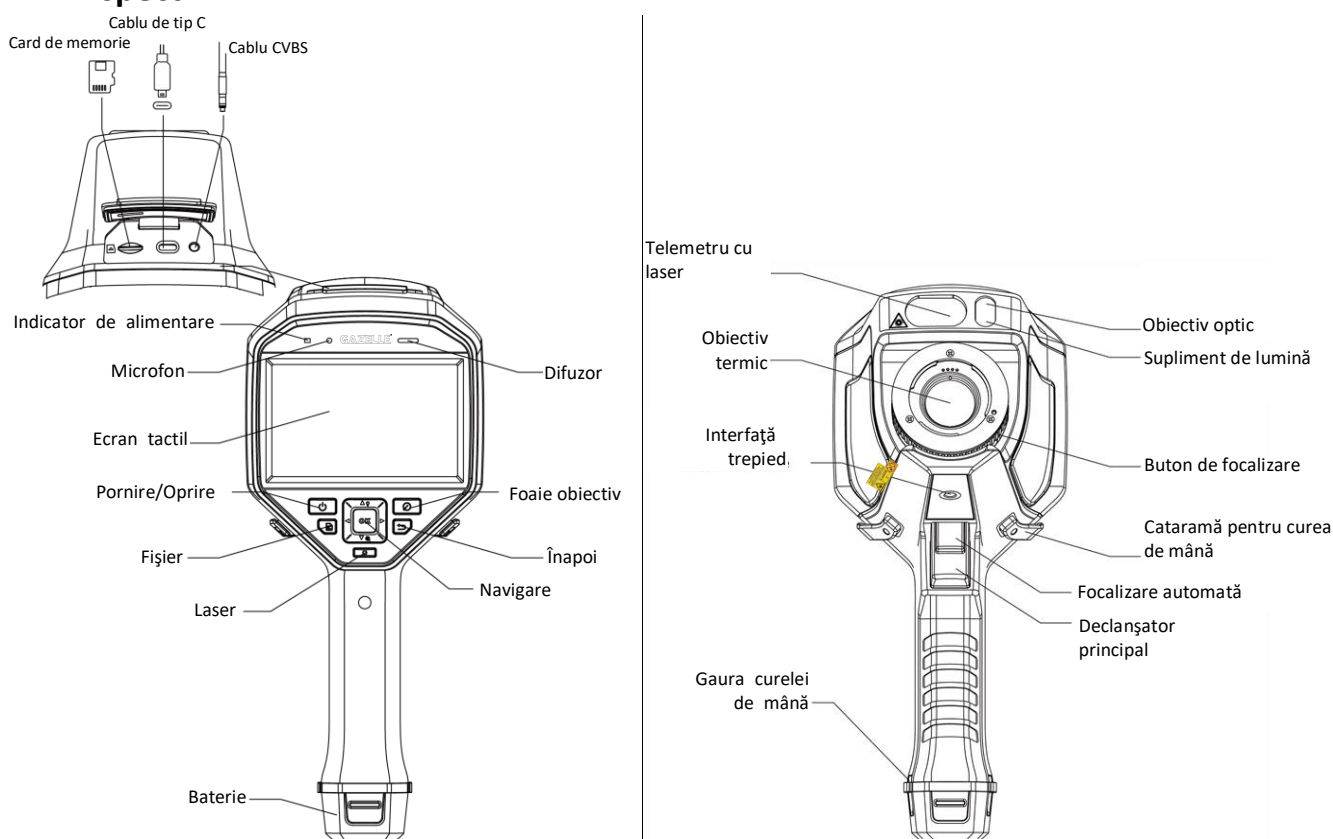
szeretné szállítani, exportálni vagy újraexportálni, tájékozódjon a szükséges exportengedélyekről és követelményekről egy jogi vagy megfelelőségi szakértőnél, vagy a helyi hatóságoknál.

## 1. Descriere scurtă

Camera termografică portabilă este o cameră cu imagini atât optice, cât și termice. Poate face termografie, măsurare a distanței, înregistrare video, captare instantanee, alarmă etc. Detectorul IR încorporat de înaltă sensibilitate și senzorul de înaltă performanță detectează schimbarea temperaturii și măsoară temperatura în timp real. Intervalul de măsurare a temperaturii este între -20 °C și 650 °C (între -4 °F și 1202 °F) cu o precizie de ±2 °C (±3,6 °F) sau 2%. Aceasta ajută utilizatorii să găsească partea riscantă și să-și reducă pierderile de proprietate.

Dispozitivul acceptă vizualizarea în timp real, capturarea și înregistrarea pe telefonul dvs.

## 2. Aspect



**Notă:** Semnul de avertizare se află sub laser și în stânga dispozitivului.

Componentă	Funcție
Buton de navigare	Mod meniu: <ul style="list-style-type: none"> <li>● Apăsați <math>\nabla</math>, <math>\triangle</math>, <math>\triangleright</math>, și <math>\triangleleft</math> pentru a alege parametrii.</li> <li>● Apăsați <b>OK</b> pentru a confirma.</li> </ul>
	Mod non-meniu: <ul style="list-style-type: none"> <li>● Apăsați <math>\triangle</math> pentru a porni/opri suplimentul de lumină LED.</li> <li>● Apăsați <math>\nabla</math> pentru a porni zoomul digital.</li> </ul>
Buton laser	Țineți apăsat butonul pentru a porni laserul și eliberați butonul pentru a opri laserul.

Componentă	Funcție
Buton foaie obiectiv	Acoperiți obiectivul pentru a efectua corectarea.
Butonul Înapoi	Leșiți din meniu sau reveniți la meniul anterior.
Buton de focalizare	Reglați distanța focală a obiectivului.
Declanșator	Trageți declanșatorul pentru a captura sau a scana codul QR. Țineți apăsat pe declanșator pentru a înregistra videoclipuri.
Focalizare automată	Trageți declanșatorul pentru a activa/dezactiva funcția de focalizare automată.
Interfață cablu	Încărcați dispozitivul sau exportați fișierele cu cablul furnizat.

### 3. Încărcarea dispozitivului

După pornirea dispozitivului, OSD (afișajul pe ecran) arată starea bateriei. Când bateria este descărcată, încărcați dispozitivul și asigurați-vă că funcționează corect.

Pentru prima încărcare, încărcați dispozitivul timp de 10 ore când acesta este pornit.

#### Notă:

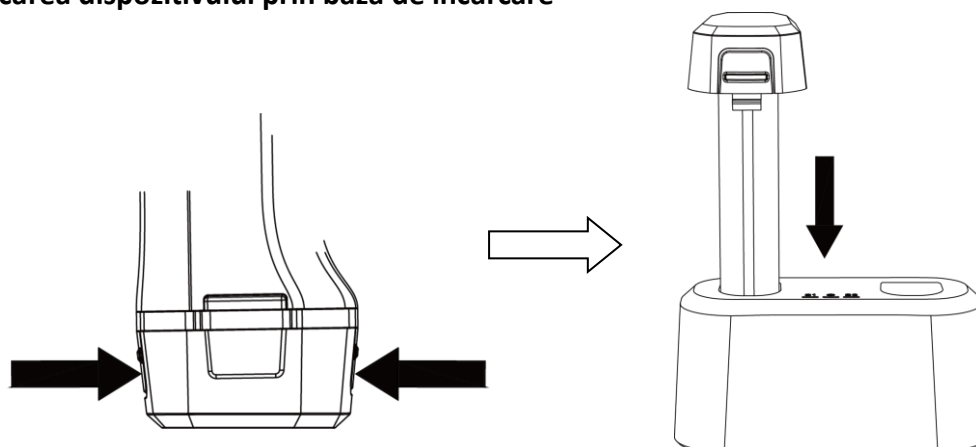
- Bateria încorporată care alimentează ceasul în timp real (RTC) al dispozitivului se poate scurge în timpul transportării sau al depozitării îndelungate. Se recomandă reîncărcarea bateriei RTC pentru buna funcționare a ceasului dispozitivului.
- Pentru a încărca complet bateria RTC, trebuie îndeplinite următoarele cerințe:
  - a) Bateriile reîncărcabile cu litiu trebuie instalate pe dispozitiv.
  - b) Dispozitivul trebuie să funcționeze mai mult de 10 ore înainte de închidere.

#### 3.1 Încărcați dispozitivul prin interfața prin cablu

##### Pași

1. Ridicați capacul interfeței.
2. Conectați cablul și încărcați dispozitivul.

#### 3.2 Încărcarea dispozitivului prin baza de încărcare



##### Pași:

1. Țineți dispozitivul și apăsați ambele butoane de blocare ale dispozitivului.
2. Țineți dispozitivele de blocare și trageți baza bateriei pentru a scoate bateria.
3. Introduceți bateria în baza de încărcare. Puteți vedea starea de încărcare prin lampa pilot de pe baza de încărcare.
4. Când bateria este complet încărcată, extrageți bateria din baza de încărcare.
5. Introduceți bateria în dispozitiv.

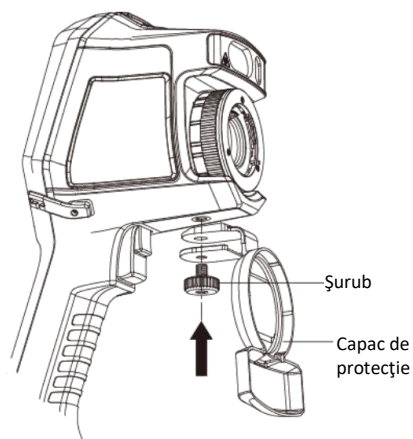
**Notă:** Vă rugăm să încărcați dispozitivul cu cablul și adaptorul de alimentare furnizate de producător (sau în funcție de tensiunea de intrare din specificații).

#### 4. Montați capacul de protecție

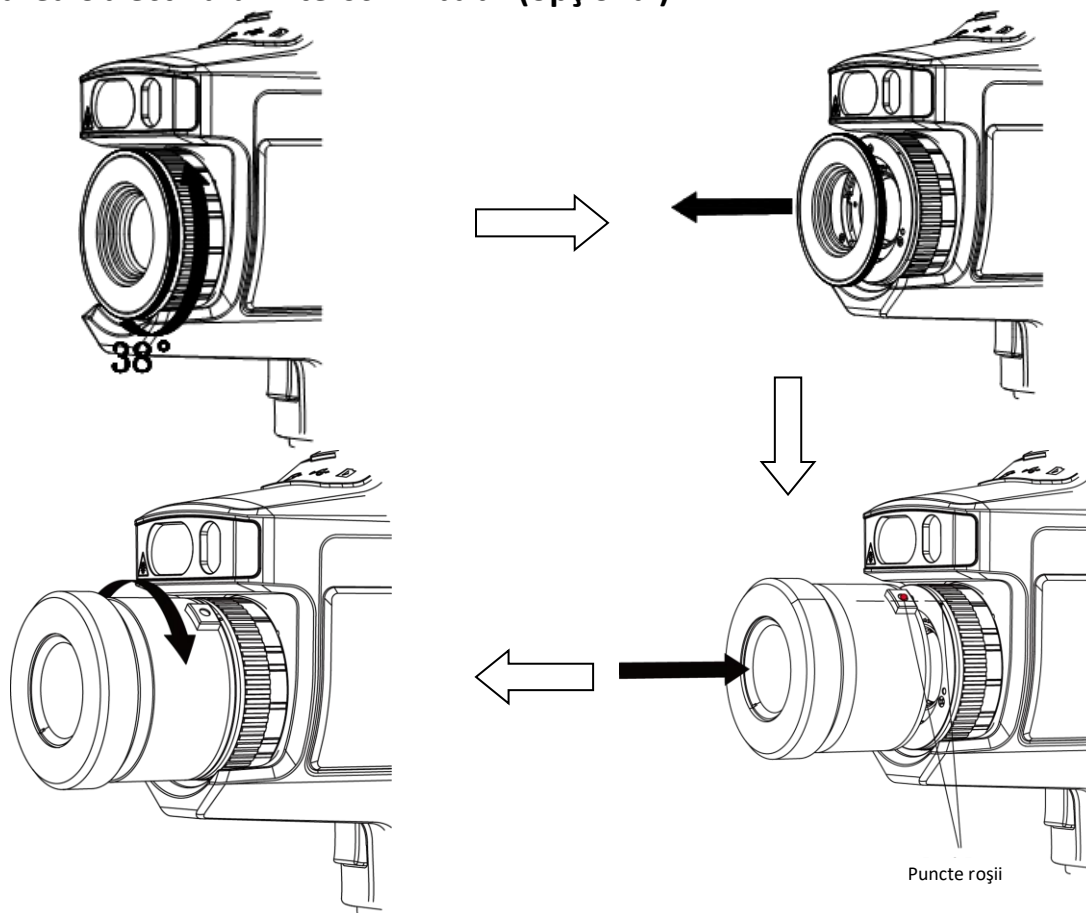
Atașați capacul de protecție atunci când dispozitivul nu este utilizat.

##### Pași

1. Aliniați orificiul filetat al dispozitivului cu orificiul de montare al capacului obiectivului.
2. Introduceți șurubul și rotiți-l în sensul acelor de ceasornic pentru a fixa capacul obiectivului.



#### 5. Montarea obiectivului interschimbabil (opțional)



##### Pași

1. Rotiți inelul decorativ la 38° în sens invers acelor de ceasornic.
2. Scoateți inelul decorativ.
3. Aliniați cele două puncte roșii de pe obiectivul interschimbabil și dispozitiv, apoi rotiți obiectivul interschimbabil în sensul acelor de ceasornic pentru a termina montarea.

4. Rotiți obiectivul interschimbabil în sensul acelor de ceasornic pentru a-l fixa.

## Informații legale

Despre acest manual

Manualul include instrucțiunile pentru utilizarea și gestionarea produsului. Fotografiiile, graficele și imaginile, precum și celelalte informații expuse în continuare sunt prezente exclusiv în scop descriptiv și explicativ.

Informațiile din Manual pot fi modificate fără notificare, ca urmare a actualizărilor de firmware sau din alte motive. Găsiți cea mai recentă versiune a acestui manual pe site-ul companiei

Vă rugăm să utilizați acest manual cu îndrumarea și asistența specialiștilor instruiți în asistența pentru acest produs.

## Informațiile despre mărcile comerciale

Mărcile comerciale și siglele menționate sunt proprietatea deținătorilor respectivi.

## DECLINAREA RĂSPUNDERII LEGALE

ÎN LIMITA LEGII APLICABILE, ACEST MANUAL ȘI PRODUSUL DESCRIS, ÎMPREUNĂ CU HARDWARE-UL, SOFTWARE-UL ȘI FIRMWARE-UL AFERENTE, SUNT OFERITE „AȘA CUM SUNT” ȘI „CU TOATE DEFECTIUNILE ȘI ERORILE”. COMPANIA NOASTRĂ NU OFERĂ NICIO GARANȚIE, EXPRESĂ SAU IMPLICITĂ, ÎN CEEA CE PRIVEȘTE INCLUSIV, DAR FĂRĂ A SE LIMITA LA: VANDABILITATEA, CALITATEA SATISFĂCĂTOARE SAU CARACTERUL ADECVAT PENTRU UN ANUMIT SCOP. DVS. VEȚI UTILIZA ACEST PRODUS PE PROPRIUL DVS. RISC. COMPANIA NOASTRĂ NU VA FI ÎN NICIUN CAZ RĂSPUNZĂTOARE FAȚĂ DE DVS. PENTRU ORICE DAUNE SPECIALE, SECUNDARE, INCIDENTALE SAU INDIRECTE INCLUSIV PENTRU DESPĂGUBIRI PENTRU PIERDEREA PROFITURILOR COMERCIALE, ÎNTRERUPEREA ACTIVITĂȚII SAU PIERDEREA DE DATE, DEFECTAREA SISTEMELOR SAU PIERDEREA DE DOCUMENTE, INDIFERENT CĂ ACESTEA AU AVUT LOC CA URMARE A ÎNCĂLCĂRII CONTRACTULUI, A UNEI FAPTE ILICITE (INCLUSIV NEGLIJENȚA), RĂSPUNDERII PENTRU PRODUS SAU DIN ORICE ALT MOTIV, ÎN LEGĂTURĂ CU UTILIZAREA PRODUSULUI, CHIAR ȘI ÎN CAZUL ÎN CARE COMPANIEI NOASTRE I S-A ADUS LA CUNOȘTINȚĂ POSIBILITATEA SURVENIRII UNOR ASTFEL DE DAUNE SAU PIERDERI.

ADMITEȚI FAPTUL CĂ, PRIN NATURA SA, INTERNETUL PREZINTĂ RISURI DE SECURITATE INERENTE ȘI CĂ COMPANIA NOASTRĂ NU-ȘI VA ASUMA RĂSPUNDEREA PENTRU FUNCȚIONAREA ANORMALĂ, SCURGEREA DE INFORMAȚII PERSONALE SAU ALTE DAUNE REZULTATE CA URMARE A ATACURILOR CIBERNETICE, ATACURILOR INFORMATICE, CONTAMINĂRII CU VIRUȘI SAU ALTOR RISURI EXISTENTE PE INTERNET; TOTUȘI, DACĂ VA FI NECESAR, COMPANIA NOASTRĂ VA FURNIZA ASISTENȚĂ TEHNICĂ ÎN TIMP UTIL.

SUNTEȚI ÎN ACORD SĂ UTILIZAȚI ACEST PRODUS ÎN CONFORMITATE CU TOATE LEGILE APLICABILE, DEVENIND RESPONSABIL PENTRU UTILIZAREA ÎN CONFORMITATE CU LEGEA APLICABILĂ. SUNTEȚI, DE ASEMENEA, RESPONSABIL PENTRU UTILIZAREA ACESTUI PRODUS FĂRĂ A ÎNCĂLCĂ DREPTURILE TERȚILOR, INCLUSIV, DAR FĂRĂ A SE LIMITA LA DREPTURILE PUBLICITĂȚII, DREPTURILE DE PROPRIETATE INTELECTUALĂ SAU DREPTUL LA PROTECȚIA DATELOR ȘI ALTE DREPTURI PRIVATE. NU UTILIZAȚI ACEST PRODUS PENTRU UTILIZĂRI FINALE INTERZISE, INCLUSIV DEZVOLTAREA SAU PRODUCȚIA DE ARME DE DISTRUGERE ÎN MASĂ, DEZVOLTAREA SAU PRODUCȚIA DE ARME CHIMICE SAU BIOLOGICE, ACTIVITĂȚI LEGATE DE ORICE EXPLOZIBIL NUCLEAR SAU CICLU DE COMBUSTIBIL NUCLEAR CARE AR PRODUCE LIPSĂ DE SIGURANȚĂ SAU ÎN SPRIJINUL ABUZURILOR ASUPRA DREPTURILOR OMULUI.

ÎN EVENTUALITATEA UNUI CONFLICT ÎNTRE ACEST MANUAL ȘI LEGISLAȚIA APLICABILĂ, VA AVEA PRIORITYATE ULTIMA DINTRE ACESTE.

## Informații de reglementare

### Declarația de conformitate UE



Acest produs și - după caz - accesoriile furnizate sunt marcate „CE”, prin urmare, respectă standardele europene armonizate aplicabile, enumerate în Directiva 2014/30/UE (Directiva EMC), Directiva 2011/65/UE – ROHS.



2012/19/UE (directiva DEEE): Produsele marcate cu acest simbol nu pot fi eliminate ca deșeuri municipale nesortate în Uniunea Europeană. Pentru o reciclare corectă, returnați acest produs furnizorului local la achiziționarea de echipamente noi echivalente sau aruncați la punctele de colectare desemnate. Pentru mai multe informații, consultați: [www.recyclethis.info](http://www.recyclethis.info).



2006/66/CE (Directiva pentru baterii): Acest produs conține o baterie, care nu poate fi eliminată ca deșeu municipal nesortat în Uniunea Europeană. Consultați documentația produsului, pentru informații specifice despre baterie. Bateria este marcată cu acest simbol, care poate include litere pentru a indica metale precum cadmi (Cd), plumb (Pb) sau mercur (Hg). Pentru o reciclare corectă, returnați bateria furnizorului dvs. sau la un punct de colectare desemnat. Pentru mai multe informații, consultați: [www.recyclethis.info](http://www.recyclethis.info).

## Instrucțiuni de siguranță

Aceste instrucțiuni au fost concepute pentru a se asigura că utilizatorul poate folosi corect produsul, în scopul evitării pericolelor și a pagubelor materiale.

### Legi și regulamente

- Utilizarea produsului trebuie să fie în strictă conformitate cu reglementările locale de siguranță electrică.

### Transportare

- Păstrați dispozitivul în ambalajul original sau similar în timp ce îl transportați.
- Păstrați toate ambalajele după despachetarea acestora pentru utilizare ulterioară. În cazul în care a apărut vreun defect, trebuie să returnați dispozitivul în fabrică cu ambalajul original. Transportul fără ambalajul original poate duce la deteriorarea dispozitivului, iar compania nu își asumă nici o responsabilitate pentru aceasta.
- Nu scăpați produsul și nu îl supuneți șocului fizic. Țineți dispozitivul departe de interferența magnetică.

### Alimentare electrică

- Tensiunea de intrare ar trebui să îndeplinească Sursa limitată de energie (5 VDC, 940 mA) în conformitate cu standardul IEC61010-1. Vă rugăm să consultați specificațiile tehnice pentru informații detaliate.
- Asigurați-vă că fișa este conectată corect la priza de alimentare.
- NU conectați mai multe dispozitive la un singur adaptor de alimentare, pentru a evita supraîncălzirea sau pericolele de incendiu cauzate de suprasarcină.

### Baterie

- Bateria încorporată nu poate fi demontată. Vă rugăm să contactați producătorul pentru reparații, dacă este necesar.
- NU încărcați alte tipuri de baterii cu încărcătorul furnizat. Asigurați-vă că nu există materiale inflamabile pe o rază de 2 m în jurul încărcătorului în timpul încărcării.
- Pentru stocarea pe termen lung a bateriei, asigurați-vă că este încărcată complet la fiecare jumătate de an pentru a asigura calitatea bateriei. În caz contrar, pot apărea daune.
- NU amplasați bateria în apropierea sursei de încălzire sau de incendiu. Evitați lumina directă a soarelui.
- NU înghițiți bateria pentru a evita arsurile chimice.
- NU puneți bateria la îndemâna copiilor.
- Când dispozitivul este oprit și bateria RTC este plină, setările de timp pot fi păstrate timp de 15 zile.
- La prima utilizare, porniți dispozitivul și încărcați bateria RTC cu bateria litiu pentru mai mult de 10 ore.
- Tensiunea bateriei este de 3,6 V, iar capacitatea bateriei este de 6700 mAh.
- Bateria este certificată de UL2054.



## Întreținere

- Dacă produsul nu funcționează corect, vă rugăm să contactați distribuitorul sau cel mai apropiat centru de service. Nu ne asumăm nici o responsabilitate pentru problemele cauzate de reparații sau întreținere neautorizate.
- Câteva componente ale dispozitivului (de exemplu, condensator electrolitic) necesită înlocuire regulată. Durata medie de viață variază, de aceea se recomandă verificarea periodică. Contactați distribuitorul pentru detalii.
- Ștergeți ușor dispozitivul cu o cârpă curată și o cantitate mică de etanol, dacă este necesar.
- Dacă echipamentul este utilizat într-un mod nespecificat de producător, protecția furnizată de dispozitiv poate fi afectată.
- Vă recomandăm să trimiteți dispozitivul înapoi pentru calibrare o dată pe an și să contactați distribuitorul local pentru informații despre punctele de întreținere.
- Rețineți că limita actuală a portului USB 3.0 PowerShare poate varia în funcție de marca PC-ului, ceea ce poate duce la probleme de incompatibilitate. Prin urmare, este recomandat să utilizați portul USB 3.0 sau USB 2.0 obișnuit dacă dispozitivul USB nu reușește să fie recunoscut de PC prin portul USB 3.0 PowerShare.

## Mediul de utilizare

- NU expuneți dispozitivul la medii extrem de calde, reci, prăfuite, corozive, saline-alkaline sau umede. Asigurați-vă că mediul de funcționare îndeplinește cerințele dispozitivului. Temperatura de funcționare trebuie să fie între -20 °C și 50 °C (între -4 °F și 122 °F), iar umiditatea de funcționare trebuie să fie de 90% sau mai mică.
- Acest dispozitiv poate fi utilizat în siguranță numai în regiunea sub 2000 de metri deasupra nivelului mării.
- Așezați dispozitivul într-un mediu uscat și bine ventilat.
- NU expuneți dispozitivul la radiații electromagnetice ridicate sau medii cu praf.
- NU îndreptați obiectivul spre soare sau orice altă lumină puternică.
- Când se utilizează orice echipament laser, asigurați-vă că lentila dispozitivului nu este expusă la fasciculul laser sau se poate arde.
- Dispozitivul este potrivit pentru utilizări în interior și în exterior, dar nu îl expuneți la condiții umede.
- Nivelul de protecție este IP 54.
- Gradul de poluare este 2.

## Situații de urgență

- Dacă din aparat apare fum, miros sau zgomot, opriți imediat alimentarea, deconectați cablul de alimentare și contactați centrul de service.

## Laser

Avertisment: Radiația laser emisă de dispozitiv poate provoca leziuni oculare, arsură a pielii sau arderea substanțelor inflamabile. Protejați ochii de laserul direct. Înainte de a activa funcția Lumină suplimentară, asigurați-vă că nu există persoane sau substanțe inflamabile în fața obiectivului laser. Lungimea undei este de 650 nm, iar puterea este mai mică de 1 mW. Laserul îndeplinește standardul IEC60825-1:2014.



Întreținerea laserului: Nu este necesar să întrețineți laserul în mod regulat. Dacă laserul nu funcționează, ansamblul laser trebuie înlocuit din fabrică în garanție. Păstrați dispozitivul oprit când înlocuiți ansamblul laser. Atenție - Utilizarea comenzilor sau ajustărilor sau efectuarea altor proceduri decât cele specificate aici poate duce la expunerea la radiații periculoase.

AVIZ DE CONFORMITATE: Produsele din seria termică ar putea face obiectul controalelor exporturilor în diferite țări sau regiuni, inclusiv, fără limitare, în Statele Unite, Uniunea Europeană, Regatul Unit și/sau în alte țări

membre ale Aranjamentului de la Wassenaar. Vă rugăm să consultați expertul dvs. juridic sau de conformitate sau autoritățile administrației publice locale pentru orice cerințe necesare ale licenței de export dacă intenționați să transferați, să exportați, să reexportați produsele de serie termică între diferite țări.

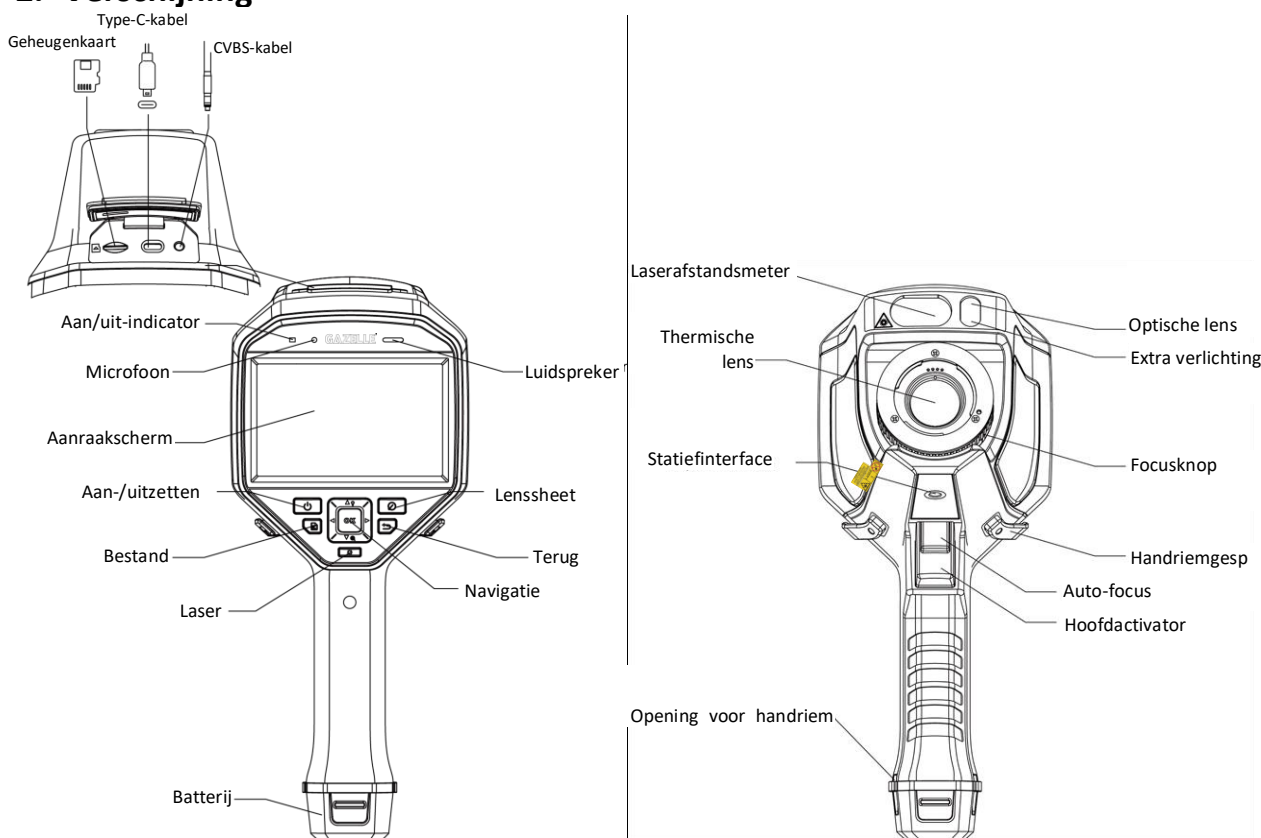
## Nederlands

### 1. Korte beschrijving

De draagbare thermografische camera is een camera met zowel optische beelden als warmtebeelden. De camera is geschikt voor thermografie, afstandsmeting, video-opname, snapshot-opname, alarm, enz. De ingebouwde zeer gevoelige IR-detector en krachtige sensor detecteren de temperatuurverandering en meten de actuele temperatuur. Het temperatuurmeetbereik is  $-20^{\circ}\text{C}$  tot  $650^{\circ}\text{C}$  ( $-4^{\circ}\text{F}$  tot  $1202^{\circ}\text{F}$ ) met een nauwkeurigheid van  $\pm 2^{\circ}\text{C}$  ( $\pm 3,6^{\circ}\text{F}$ ) of 2%. Het helpt de gebruikers om risicovolle gebieden te vinden en verlies van eigendom te verminderen.

Het apparaat ondersteunt liveweergave, opname maken en opnemen op uw telefoon.

### 2. Verschijning



**Opmerking:** Het waarschuwingsteken bevindt zich onder de laser en aan de linkerkant van het apparaat.

Component	Functie
Navigatietoets	Menumodus: ● Druk op $\nabla$ , $\triangle$ , $\triangleright$ , en $\triangleleft$ om parameters te selecteren. ● Druk op <b>OK</b> om te bevestigen.
	Niet-menumodus: ● Druk op $\triangle$ om het LED-lichtsupplement aan/uit te zetten. ● Druk op $\nabla$ om de digitale zoom te starten.

Component	Functie
Lasertoets	Houd de knop ingedrukt om de laser in te schakelen en laat de knop los om deze uit te schakelen.
Lenslaagtoets	Bedek de lens om de correctie uit te voeren.
Terugtoets	Hiermee verlaat u het menu of keert u terug naar het vorige menu.
Focusknop	Verstel de brandpuntsafstand van de lens.
Trekker	Druk de activator in om opname te maken of een QR-code te scannen. Houd de activator ingedrukt om video's op te nemen.
Auto-focus	Druk de activator in om de auto-focusfunctie aan-/uit te zetten.
Kabelinterface	Hiermee laadt u het apparaat op of exporteert u bestanden met behulp van de meegeleverde kabel.

### 3. Het apparaat opladen

Nadat het apparaat is opgestart, geeft het scherm de batterijstatus weer. Laad het apparaat op als de batterij bijna leeg is om een correcte werking te garanderen.

Laad het apparaat de eerste keer gedurende 10 uur op wanneer het wordt ingeschakeld.

#### Opmerking:

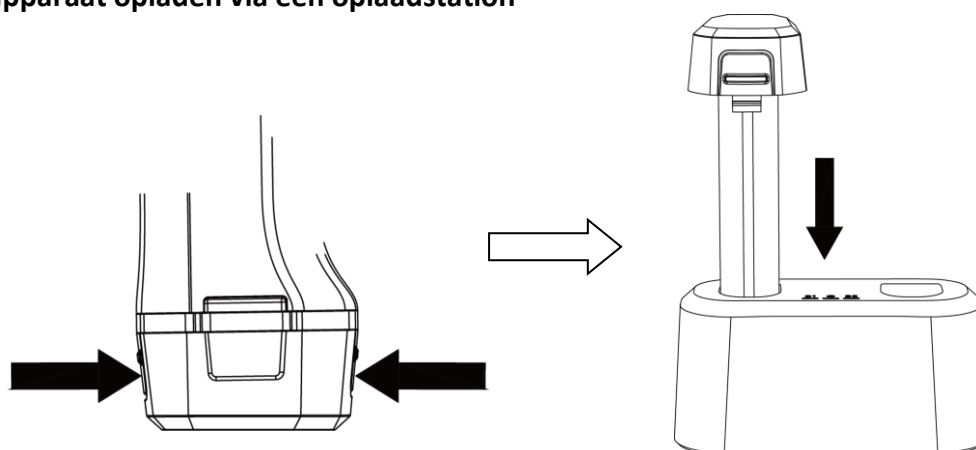
- De ingebouwde knoopcelbatterij die de real-timetijd klok (RTC) van het apparaat voedt, kan leeg raken tijdens langdurig transport of opslag. Het wordt aanbevolen om de RTC-batterij op te laden voor een goede werking van de klok van het apparaat.
- Om de RTC-batterij volledig op te laden, moet aan de volgende voorwaarden worden voldaan:
  - a) De oplaadbare lithiumbatterijen moeten in het apparaat zijn geplaatst.
  - b) Het apparaat moet meer dan 10 uur werken voordat het wordt uitgeschakeld.

#### 3.1 Het apparaat opladen via de kabelinterface

##### Stappen

1. Til het lipje van de interface.
2. Sluit de kabel aan en laad het apparaat op.

#### 3.2 Het apparaat opladen via een oplaadstation



##### Stappen:

1. Houd het apparaat vast en druk beide batterijvergrendelingen van het apparaat in.
2. Houd de grepen in en trek aan de batterijhouder om de batterij eruit te halen.
3. Plaats de batterij in het oplaadstation. U kunt de laadstatus zien via het controlelampje op het oplaadstation.

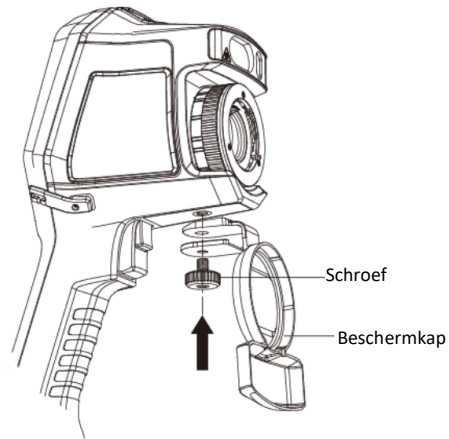
4. Als de batterij volledig is opgeladen, haalt u de batterij uit het oplaadstation.
  5. Plaats de batterij in het apparaat.
- Opmerking:** Laad het toestel op met de door de fabrikant meegeleverde kabel en netstroomadapter (of volgens de ingangsspanning uit de specificaties).

#### 4. De beschermkap installeren

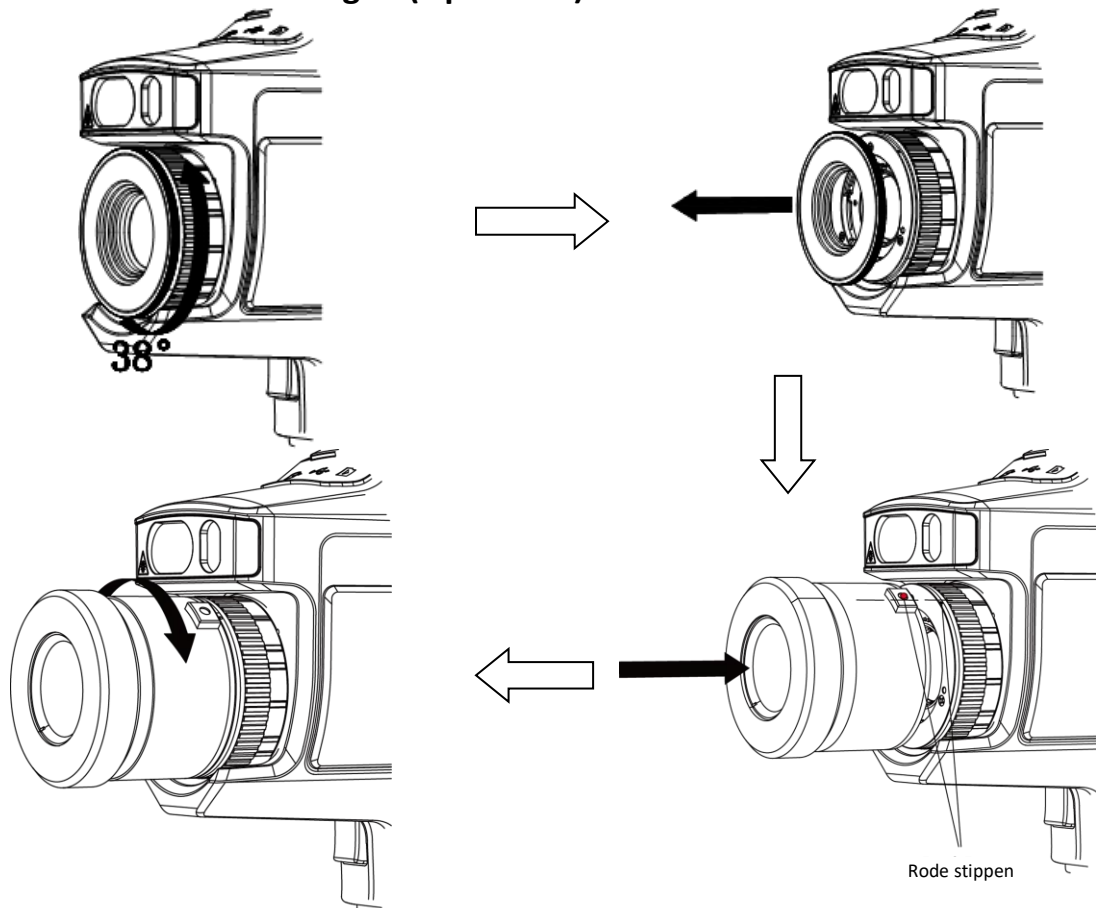
Bevestig de beschermkap als het apparaat niet in gebruik is.

##### Stappen

1. Lijn het schroefgat van het apparaat uit met het montagegat van de lenskap.
2. Plaats de schroef en draai deze rechtsonder om de lenskap vast te zetten.



#### 5. Verwisselbare lens aanbrengen (Optioneel)



##### Stappen

1. Draai de decoratiering 38° linksom.
2. Verwijder de decoratiering.

3. Lijn de twee rode punten op de verwisselbare lens en het toestel uit en draai de verwisselbare lens met de klok mee om de montage te voltooien.
4. Draai de verwisselbare lens rechtsom om deze vast te zetten.

## Juridische informatie

Over deze handleiding

De handleiding bevat instructies voor het gebruik en beheer van het product. Foto's, grafieken, afbeeldingen en alle andere informatie hierna worden verstrekt voor beschrijving en uitleg. De informatie in de handleiding is onderhevig aan verandering, zonder voorafgaande kennisgeving, als gevolg van firmware-updates of andere redenen. De nieuwste versie van deze handleiding is te vinden op de website van het bedrijf.

Gebruik deze handleiding onder begeleiding en ondersteuning van professionals die zijn opgeleid voor het ondersteunen van het product.

## Erkenning handelsmerken

Handelsmerken en logo's zijn het eigendom van hun respectieve eigenaren.

## JURIDISCHE DISCLAIMER

VOOR ZOVER MAXIMAAL TOEGESTAAN OP GROND VAN HET TOEPASSELIJK RECHT, WORDEN DEZE HANDLEIDING EN HET OMSCHREVEN PRODUCT, INCLUSIEF HARDWARE, SOFTWARE EN FIRMWARE, GELEVERD 'ZOALS ZE ZIJN', INCLUSIEF 'FOUTEN EN GEBREKEN'. ONS BEDRIJF GEEFT GEEN GARANTIES, EXPLICIET OF IMPLICIET, INCLUSIEF MAAR NIET BEPERKT TOT, VERHANDELBAARHEID, VOLDOENDE KWALITEIT OF GESCHIKTHEID VOOR EEN BEPAALD DOEL. HET GEBRUIK VAN HET PRODUCT DOOR U IS OP EIGEN RISICO. IN GEEN GEVAL IS ONS BEDRIJF AANSPRAKELIJK OF SCHADEPLICHTIG JEGENS U VOOR ENIGE SPECIALE-, GEVOLG-, INCIDENTELE- OF INDIRECTE SCHADE, INCLUSIEF, ONDER ANDERE, SCHADE WEGENS WINSTDERIVING, ONDERBREKING VAN ZAKELIJKE ACTIVITEITEN OF VERLIES VAN GEGEVENS, CORRUPTIE VAN SYSTEMEN OF VERLIES VAN DOCUMENTATIE, HETZIJ GEBASEERD OP CONTRACTBREUK, BENADELING (INCLUSIEF NALATIGHEID), PRODUCTAANSPRAKELIJKHEID OF ANDERSZINS IN VERBAND MET HET GEBRUIK VAN HET PRODUCT, ZELFS ALS ONZE ONDERNEMING IS GEADVISEERD OVER DE MOGELIJKHEID VAN DERGELIJKE SCHADE OF VERLIES. U ERKENT DAT DE AARD VAN INTERNET INHERENTE VEILIGHEIDSRISICO'S MET ZICH MEE BRENGT, EN ONS BEDRIJF GEEN ENKELE VERANTWOORDELIJKHEID NEEMT VOOR ABNORMALE WERKING, PRIVACYLEKKEN OF ANDERE SCHADE DIE VOORTVLOEIT UIT CYBERAANVAL, HACKERAANVAL, VIRUSINFECTIE, OF ANDERE INTERNETVEILIGHEIDSRISICO'S; ONS BEDRIJF INDIEN NODIG ECHTER TIJDELIJK TECHNISCHE ONDERSTEUNING. U GAAT AKKOORD MET HET GEBRUIK VAN DIT PRODUCT IN OVEREENSTEMMING MET ALLE TOEPASBARE WETTEN EN UITSLUITEND U BENT VERANTWOORDELIJK VOOR DE GARANTIE DAT UW GEBRUIK OVEREENSTEMT MET DE TOEPASBARE WET. U BENT VOORAL VERANTWOORDELIJK DAT HET GEBRUIK VAN DIT PRODUCT GEEN INBREUK MAAKT OP DE RECHTEN VAN DERDEN, INCLUSIEF EN ZONDER BEPERKING DE RECHTEN VAN PUBLICITEIT, INTELLECTUEEL EIGENDOM, OF GEGEVENS BESCHERMING EN ANDERE PRIVACYRECHTEN. U MAG DIT PRODUCT NIET GEBRUIKEN VOOR ENIGE ONWETTIG EINDGEBRUIK, MET INBEGRIIP VAN DE ONTWIKKELING OF DE PRODUCTIE VAN MASSAVERNIEGINGSWAPENS, DE ONTWIKKELING OF DE PRODUCTIE VAN CHEMISCHE OF BIOLOGISCHE WAPENS, ALLE ACTIVITEITEN IN HET KADER VAN EVENTUELE NUCLEAIRE EXPLOSIEVEN OF ONVEILIGE NUCLEAIRE BRANDSTOF CYCLUS, OF TER ONDERSTEUNING VAN MENSENRECHTENSCHENDINGEN. IN HET GEVAL VAN ENIGE CONFLICTEN TUSSEN DEZE HANDLEIDING EN DE TOEPASSELIJKE WETGEVING, PREVALEERT DE LAATSTE.

## Informatie met betrekking tot regelgeving

### EU-conformiteitsverklaring



Dit product en - indien van toepassing - de meegeleverde accessoires dragen het merkteken "CE" en voldoen derhalve aan de toepasselijke geharmoniseerde Europese normen onder EMC-richtlijn 2014/30/EU en RoHS-richtlijn 2011/65/EU



2012/19/EU (WEEE-richtlijn): Producten die met dit symbool zijn gemarkeerd mogen binnen de Europese Unie niet worden weggegooid als ongesorteerd huishoudelijk afval. Lever dit product voor een juiste recycling in bij uw plaatselijke leverancier bij aankoop van soortgelijke nieuwe apparatuur, of breng het naar daarvoor aangewezen inzamelpunten. Raadpleeg voor meer informatie: [www.recyclethis.info](http://www.recyclethis.info).



2006/66/EG (Batterijrichtlijn): Dit product bevat een batterij die binnen de Europese Unie niet mag worden weggegooid als ongesorteerd huishoudelijk afval. Zie de productdocumentatie voor specifieke informatie over de batterij. De batterij is gemarkeerd met dit symbool, dat letters kan bevatten die cadmium (Cd), lood (Pb) of kwik (Hg) aanduiden. Lever de batterij voor een juiste recycling in bij uw leverancier of bij een daarvoor aangewezen inzamelpunt. Raadpleeg voor meer informatie: [www.recyclethis.info](http://www.recyclethis.info).

## Veiligheidsinstructies

Deze instructies zijn bedoeld om te verzekeren dat de gebruiker het product juist kan gebruiken om gevaar of verlies van eigendommen te vermijden.

### Wet- en regelgeving

- Het gebruik van het product moet strikt in overeenstemming zijn met de plaatselijke elektrische veiligheidsvoorschriften.

### Transport

- Bewaar het apparaat in de originele- of soortgelijke verpakking tijdens het vervoer.
- Bewaar alle verpakkingsmaterialen nadat u hebt uitgepakt voor toekomstig gebruik. In het geval van een defect moet u het apparaat terugsturen naar de fabriek met de originele verpakking. Transport zonder de originele verpakking kan leiden tot schade aan het apparaat, waarvoor wij geen verantwoordelijk erkennen.
- Laat het product niet vallen en stel het apparaat niet bloot aan schokken. Houd het toestel uit de buurt van magnetische velden.

### Stroomvoorziening

- De ingangsspanning moet voldoen aan de Beperkte Stroombron (5 VDC, 940 mA ) volgens de IEC61010-1-norm. Zie de technische specificaties voor gedetailleerde informatie.
- Zorg dat de stekker goed in het stopcontact zit.
- Sluit NOOIT meerdere apparaten aan op één voedingsadapter om oververhitting of brandgevaar door overbelasting te voorkomen.

### Batterij

- De ingebouwde batterij kan niet worden gedemonteerd. Neem indien nodig contact op met de fabrikant voor reparatie.
- Laad geen andere batterijtypes op met de meegeleverde oplader. Zorg tijdens het opladen dat er zich geen brandbaar materiaal binnen een straal van 2 m van de oplader bevindt.
- Voor langdurige opslag van de batterij moet u ervoor zorgen dat deze elk half jaar volledig wordt opgeladen om de kwaliteit van de batterij te waarborgen. Als u dit niet doet, kan dit leiden tot schade.
- Houd de batterij uit in de buurt van hitte- of open vuur. Vermijd direct zonlicht.
- Slik de batterij niet in om chemische brandwonden te voorkomen.
- Houd de batterij buiten het bereik van kinderen.
- Wanneer het apparaat wordt uitgeschakeld en de RTC-batterij vol is, kunnen de tijdstellingen 15 dagen worden bewaard.
- Bij het eerste gebruik schakelt u het apparaat in en laadt u de RTC-batterij langer dan 10 uur op met de lithiumbatterij.

- De batterijspanning is 3,6V, en de batterijcapaciteit is 6700mAh.
- De batterij is gecertificeerd door UL2054.

### Onderhoud

- Als het product niet naar behoren werkt, neem dan contact op met uw dealer of het dichtstbijzijnde servicecentrum. Wij aanvaarden geen verantwoordelijkheid voor problemen die zijn veroorzaakt door ongeautoriseerde reparatie of onderhoud.
- Een paar componenten van het apparaat (o.a. elektrolytische condensator) vereisen regelmatige vervanging. De gemiddelde levensduur varieert, dus periodieke controle wordt aanbevolen. Neem contact op met uw leverancier voor meer informatie.
- Veeg het apparaat voorzichtig schoon met een schone doek en, indien nodig, een kleine hoeveelheid ethanol.
- Als de apparatuur wordt gebruikt op een manier die niet door de fabrikant is gespecificeerd, kan de bescherming van het apparaat worden aangetast.
- Wij raden u aan het apparaat eenmaal per jaar terug te sturen voor kalibratie, en neem contact op met de plaatselijke dealer voor informatie over onderhoudspunten.
- Houd er rekening mee dat de stroomgrenswaarde van de USB 3.0 PowerShare-poort kan variëren per merk PC, wat waarschijnlijk zal resulteren in incompatibiliteitsproblemen. Daarom wordt geadviseerd een gewone USB 3.0- of USB 2.0-poort te gebruiken als het USB-apparaat niet wordt herkend door de PC via de USB 3.0 PowerShare-poort.

### Gebruiksomgeving

- Stel het apparaat niet bloot aan extreem warme, koude, stoffige, corrosieve, zout-alkalische of vochtige omgevingen. Zorg dat de gebruiksomgeving voldoet aan de vereisten van het apparaat. Het apparaat werkt bij een temperatuur van -20 °C tot 50 °C en een luchtvochtigheid van 90% of minder.
- Dit apparaat kan alleen veilig worden gebruikt onder 2000 meter boven de zeespiegel.
- Plaats het apparaat in een droge en goed geventileerde omgeving.
- Stel het apparaat NIET bloot aan hoge elektromagnetische straling of stoffige omgevingen.
- Richt de lens NIET op de zon of een ander fel licht.
- Wanneer laserapparatuur in gebruik is, zorg er dan voor dat de lens van het apparaat niet wordt blootgesteld aan de laserstraal, anders kan deze doorbranden.
- Het apparaat is geschikt voor gebruik binnen en buiten, maar stel het niet bloot aan natte omstandigheden.
- De beschermingsgraad is IP 54.
- De verontreinigingsgraad is 2.

### Noodgeval

- Als er rook, geur of geluid uit het apparaat komt, schakel het dan onmiddellijk uit, haal de stekker van het netsnoer uit het stopcontact en neem contact op met het servicecentrum.

### Laser

Waarschuwing: De laserstraling van het apparaat kan oogletsel en verbranding van de huid of brandbare stoffen veroorzaken. Voorkom dat ogen rechtstreeks in de laser kunnen kijken. Zorg, voordat u de kunstlichtfunctie inschakelt, dat er zich geen mensen of brandbare stoffen voor de laserlens bevinden. De golflengte is 650nm, en het vermogen is minder dan 1mW. De laser voldoet aan de norm IEC60825-1:2014.



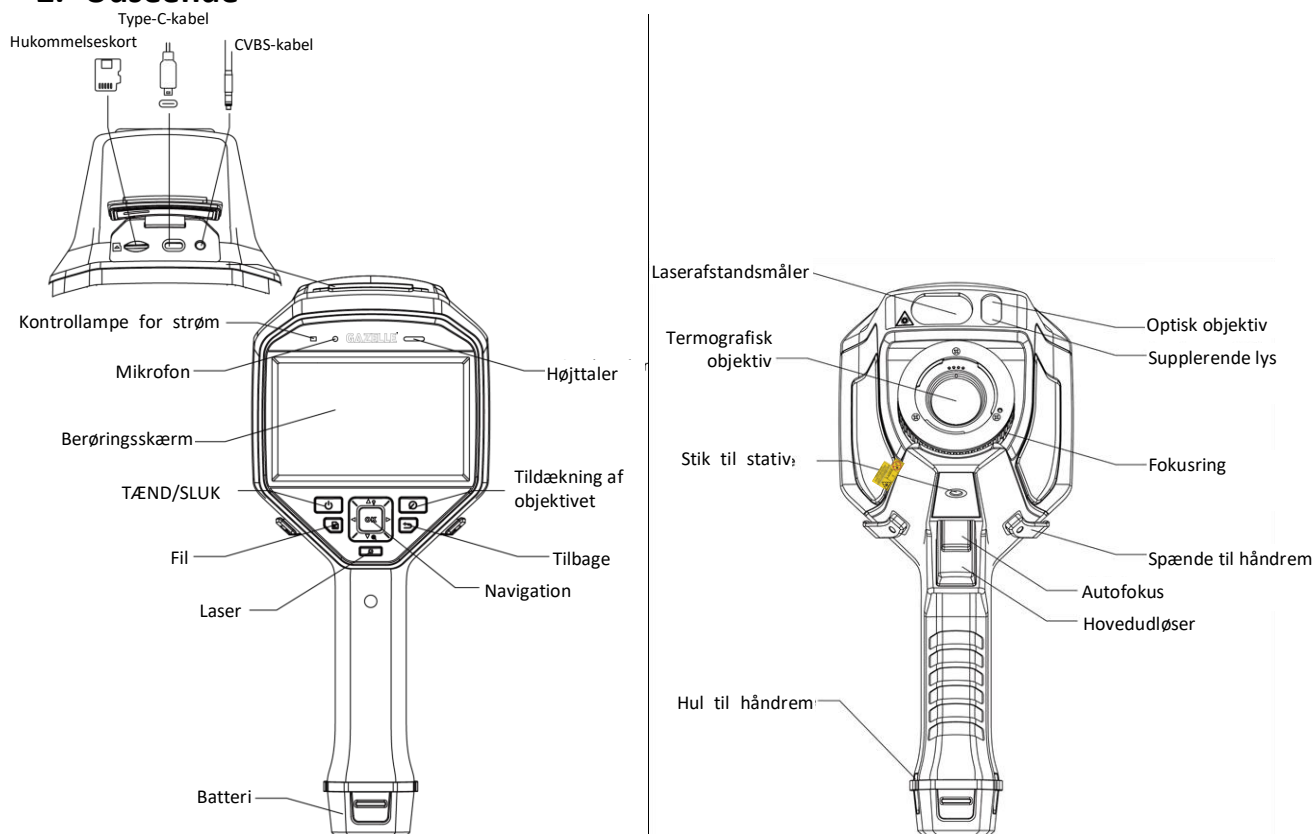
Onderhoud van de laser: Het is niet nodig om de laser regelmatig te onderhouden. Als de laser niet werkt, moet de laserset in de fabriek onder garantie worden vervangen. Houd het apparaat uitgeschakeld tijdens het vervangen van de laserset. Let op: Het gebruik van bedieningen of aanpassingen of het uitvoeren van procedures anders dan hierin gespecificeerd, kan leiden tot blootstelling aan gevaarlijke straling.

MEDEDELING VAN NALEVING: De producten thermische serie kunnen zijn onderworpen aan exportcontroles in verschillende landen of regio's, inclusief zonder enige beperking de Verenigde Staten, de Europese Unie, het Verenigd Koninkrijk en/of andere lidstaten van de Overeenkomst van Wassenaar. Neem contact op met uw professionele juridische of nalevingsexpert of plaatselijke overheidsinstanties omtrent enige noodzakelijke vereisten voor een exportvergunning als u van plan bent de producten thermische serie te verplaatsen, exporteren of her-exporteren tussen verschillende landen.

## 1. Oversigt

Det håndholdte termografiske kamera er et kamera til både optiske og termiske billeder. Kameraet kan foretage termografi i form af afstandsmåling, videooptagelse, billedoptagelse, alarm osv. Den indbyggede højfølsomme IR-detektor og højtydende sensor registrerer temperaturændringer og måler temperaturen i realtid. Området for temperaturmåling er  $-20\text{ °C}$  til  $650\text{ °C}$  ( $-4\text{ °F}$  til  $1202\text{ °F}$ ) med en nøjagtighed på  $\pm 2\text{ °C}$  ( $\pm 3,6\text{ °C}$ ) eller 2%. Det hjælper brugeren med at finde risikoområder og mindsker risikoen for tab af ejendom. Enheden understøtter livevisning samt optagelse af enkeltbilleder og video på din telefon.

## 2. Udseende



**Bemærk:** Advarselsskiltet findes under laseren og på venstre side af enheden.



Komponent	Funktion
Navigationsknap	Menutilstand: <ul style="list-style-type: none"> <li>● Tryk på ▽, △, ▷ og ◁ for at vælge parametre.</li> <li>● Tryk på <b>OK</b> for at bekræfte.</li> </ul>
	Anden tilstand: <ul style="list-style-type: none"> <li>● Tryk på △ for at tænde/slukke det supplerende LED-lys.</li> <li>● Tryk på ▽ for at starte digital zoom.</li> </ul>
Laserknap	Hold knappen nede for at slå laser til, og slip knappen for at slå laser fra.
Knap til at tildække objektivet	Tildæk objektivet for at foretage en korrektion.
Knappen Tilbage	Afslut menuen, eller vend tilbage til den forrige menu.
Fokusring	Indstil objektivets brændvidde.
Udløser	Tryk på udløseren for at tage et billede eller scanne QR-koden. Hold udløseren nede for at optage en video.
Autofokus	Tryk på udløseren for at slå autofokusfunktionen til/fra.
Kabelstik	Oplad enheden, eller eksportér filer med det medfølgende kabel.

### 3. Oplad enhed

Når enheden er startet op, vises batteristatussen i skærmmenuen (OSD). Når batteriniveauet er lavt, skal du oplade enheden og sikre, at den fungerer korrekt.

Oplad enheden i 10 timer ved første opladning med enheden tændt.

#### Bemærk:

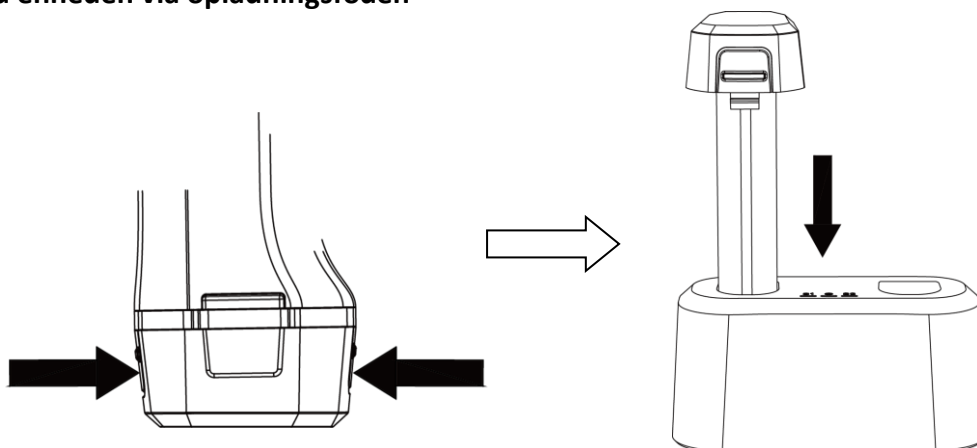
- Det indbyggede cellebatteri, der driver enhedens realtidsur (RTC) kan miste strømmen under lang tids transport eller opbevaring. Det anbefales at genoplade RTC-batteriet, for at uret i enheden kan fungere korrekt.
- For at oplade RTC-batteriet fuldt ud skal følgende krav opfyldes:
  - a) De genopladelige lithium-batterier skal lægges i enheden.
  - b) Enheden skal forblive i drift i mere end 10 timer inden nedlukning.

#### 3.1 Oplad enheden via kabelstikket

##### Trin

1. Tag dækslet af stikket.
2. Sæt kablet i, og oplad enheden.

### 3.2 Oplad enheden via opladningsfoden



**Trin:**

1. Hold enheden, og tryk på begge batterilåseknapper på enheden.
2. Hold låseknapperne nede, og træk i batterifoden for at tage batteriet ud.
3. Sæt batteriet i opladningsfoden. Du kan se opladningsstatussen via kontrollampen på opladningsfoden.
4. Når batteriet er helt opladet, skal du tage det af opladningsfoden.
5. Sæt batteriet i enheden.

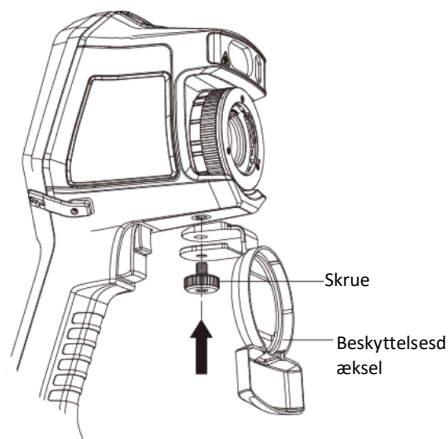
**Bemærk:** Oplad enheden med det medfølgende kabel og strømforsyning fra producenten (eller iht. indgangsspændingen angivet i specifikationerne).

### 4. Påsætning af beskyttelsesdæksel

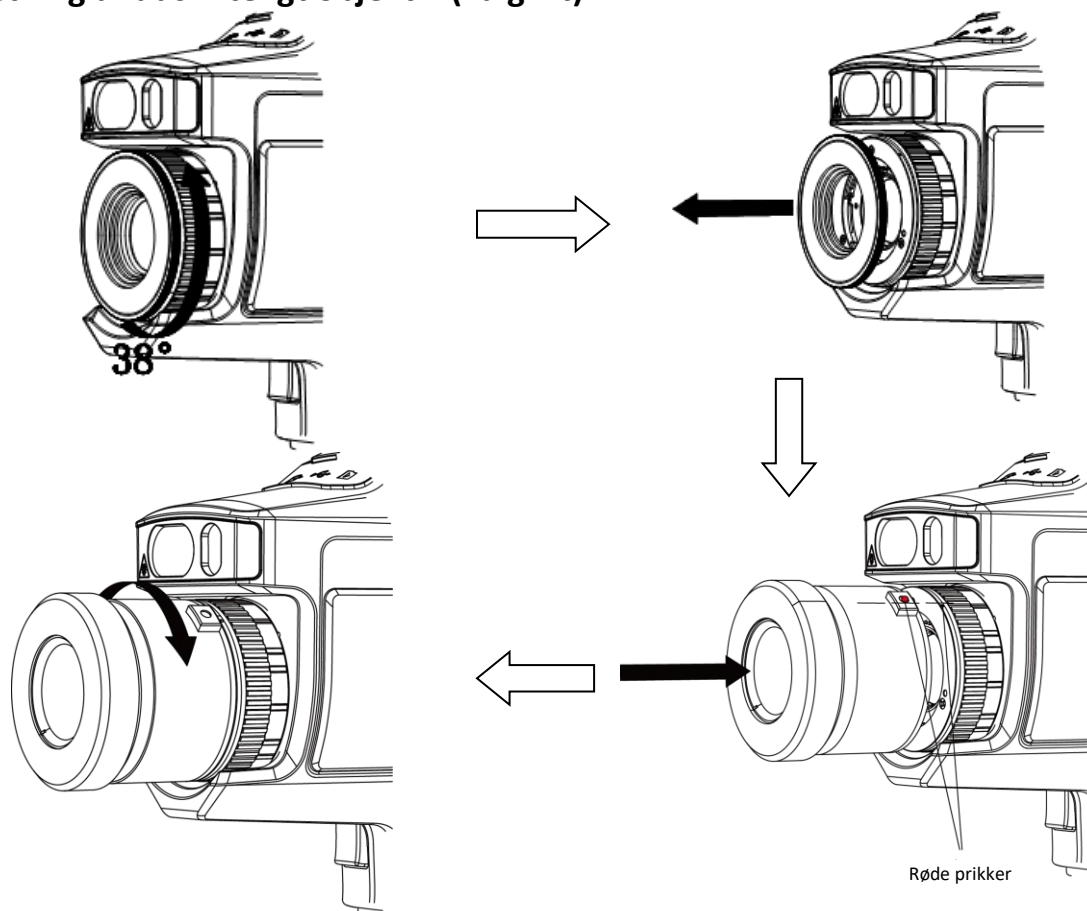
Sæt beskyttelsesdækslet på, når enheden ikke er i brug.

**Trin**

1. Match gevindhullet på enheden med monteringshullet på objektivdækslet.
2. Sæt skruen i, og drej med uret for at fastgøre objektivdækslet.



## 5. Påsætning af udskifteligt objektiv (valgfrit)



### Trin

1. Drej den dekorative ring 38° mod uret.
2. Tag den dekorative ring af.
3. Match de to røde prikker på det udskiftelige objektiv og på enheden, og drej det udskiftelige objektiv med uret for at færdiggøre påsætningen.
4. Drej det udskiftelige objektiv med uret for at sætte det fast.

## Juridiske oplysninger

Om denne vejledning

Vejledningen indeholder anvisninger om brug og håndtering af produktet. Billeder, diagrammer, illustrationer og alle øvrige oplysninger herefter tjener kun som beskrivelse og forklaring. Oplysningerne i vejledningen er med forbehold for ændring uden varsel på grund af opdateringer af firmware eller andre årsager. Du kan finde den seneste udgave af vejledningen på virksomhedens websted.

Brug brugervejledningen under vejledning af og med hjælp fra fagfolk, der er uddannet i understøttelse af produktet.

### Anerkendelse af varemærker

De nævnte varemærker og logoer tilhører deres respektive ejere.

### JURIDISK ANSVARFRASKRIVELSE

VEJLEDNINGEN OG DET HERI BESKREVNE PRODUKT, INKL. HARDWARE, SOFTWARE OG FIRMWARE, LEVERES I STØRST MULIGT OMFANG, DER ER TILLADT VED LOV, "SOM DET ER OG FOREFINDES" OG "MED ALLE DEFEKTER OG FEJL". VORES VIRKSOMHED UDSATER INGEN GARANTIER, HVERKEN UDTRYKKELIGE ELLER

UNDERFORSTÅEDE, INKL. UDEN BEGRÆNSNING, VEDRØRENDE SALGBARHED, TILFREDSSTILLENDE KVALITET ELLER EGNETHED TIL ET BESTEMT FORMÅL. DIN BRUG AF PRODUKTET SKER PÅ DIN EGEN RISIKO. UNDER INGEN OMSTÆNDIGHEDER ER VORES VIRKSOMHED ANSVARLIG OVERFOR DIG FOR SÆRLIGE, HÆNDELIGE ELLER FØLGESKADER, INKL. BL.A. SKADER SOM FØLGE AF DRIFTSTAB, DRIFTSFORSTYRRELSER ELLER TAB AF DATA, NEDBRUD I SYSTEMER ELLER TAB AF DOKUMENTATION, UANSET OM DET ER BASERET PÅ KONTRAKTBRUD, SKADEVOLDENDE HANDLINGER (HERUNDER UAGTSOMHED), PRODUKTANSVAR ELLER PÅ ANDEN MÅDE I FORBINDELSE MED BRUGEN AF PRODUKTET, SELVOM VORES VIRKSOMHED ER BLEVET UNDERRETTET OM MULIGHEDEN FOR SÅDANNE SKADER.

DU ANERKENDER, AT INTERNETTET INDEHOLDER INDBYGGEDE SIKKERHEDSRISICI. VORES VIRKSOMHED PÅTAGER SIG INTET ANSVAR FOR UNORMAL DRIFT, LÆKAGE AF PERSONLIGE OPLYSNINGER ELLER ANDRE SKADER SOM FØLGE AF CYBERANGREB, HACKERANGREB, VIRUSKONTROL ELLER ANDRE INTERNETSIKKERHEDSRISICI. VORES VIRKSOMHED VIL DOG YDE EVENTUEL NØDVENDIG OG RETTIDIG TEKNISK BISTAND.

DU ERKLÆRER DIG INDFORSTÅET MED AT BRUGE PRODUKTET I OVERENSSTEMMELSE MED ALLE GÆLDENDE LOVE, OG DU ER ENEANSVARLIG FOR AT SIKRE, AT DIN BRUG OVERHOLDER AL GÆLDENDE LOVGIVNING. DU ER ISÆR ANSVARLIG FOR AT BRUGE PRODUKTET PÅ EN MÅDE, DER IKKE KRÆNKER TREDJEPARTERS RETTIGHEDER, HERUNDER, UDEN BEGRÆNSNINGER, RETTIGHEDER VEDRØRENDE OFFENTLIG OMTALE, INTELLEKTUELLE EJENDOMSRETTIGHEDER ELLER RETTIGHEDER VEDRØRENDE DATABESKYTTELSE OG ANDRE RETTIGHEDER VEDRØRENDE PERSONLIGE OPLYSNINGER. DU MÅ IKKE BRUGE PRODUKTET TIL FORBUDTE SLUTANVENDELSER, HERUNDER UDVIKLING ELLER FREMSTILLING AF MASSEØDELÆGGELSESVÅBEN, UDVIKLING ELLER PRODUKTION AF KEMISKE ELLER BIOLOGISKE VÅBEN, AKTIVITETER I DEN KONTEKST, DER ER KNYTTET TIL ATOMBOMBER ELLER USIKKERT REAKTORBRÆNDSEL, ELLER SOM STØTTE TIL OVERTRÆDELSE AF MENNESKERETTIGHEDER. I TILFÆLDE AF UOVERENSSTEMMELSE MELLEM VEJLEDNINGEN OG GÆLDENDE LOVGIVNING GÆLDER SIDSTNÆVNTE.

## Lovgivningsmæssige oplysninger

### EU-overensstemmelseserklæring



Dette produkt og – hvis relevant – medfølgende tilbehør er CE-mærkede og overholder dermed de gældende harmoniserede europæiske standarder, der er angivet i EMC-direktivet 2014/30/EU og RoHS-direktivet 2011/65/EU



2012/19/EU (WEEE-direktivet): Produkter, der er mærket med dette symbol, kan ikke bortskaffes som almindeligt husholdningsaffald i EU. Med henblik på korrekt genbrug skal du aflevere produktet til din lokale leverandør ved køb af tilsvarende nyt udstyr eller aflevere det på et dertil indrettet indleveringssted. For yderligere oplysninger se: [www.recyclethis.info](http://www.recyclethis.info).



2006/66/EF (batteridirektivet): Dette produkt indeholder et batteri, som ikke kan bortskaffes sammen med almindeligt husholdningsaffald i EU. Find specifikke oplysninger om batteriet i produktdokumentationen. Batteriet er mærket med dette symbol, som kan indeholde bogstaver, der indikerer indhold af kadmium (Cd), bly (Pb) eller kviksølv (Hg). Med henblik på korrekt genbrug skal du aflevere batteriet til din leverandør eller til et dertil indrettet indleveringssted. Du kan få flere oplysninger her: [www.recyclethis.info](http://www.recyclethis.info)

## Sikkerhedsanvisning

Disse anvisninger skal sikre, at brugeren kan anvende produktet korrekt og undgå fare eller tab af ejendom.

### Love og bestemmelser

- Brug af dette produkt skal strengt overholde lokale bestemmelser for elektrisk sikkerhed.

## Transport

- Opbevar enheden i den oprindelige eller en lignende emballage, når den skal transporteres.
- Gem al emballage efter udpakningen til senere brug. Du skal bruge den originale emballage til at returnere enheden til fabrikken, hvis der opstår fejl. Transport uden den originale emballage kan medføre skade på enheden, og virksomheden tager intet ansvar derfor.
- Tab ikke produktet, og udsæt det ikke for fysiske stød. Hold enheden væk fra magnetisk interferens.

## Strømforsyning

- Indgangsspænding skal overholde LPS (Limited Power Source) (5 V jævnstrøm, 940 mA) iht. standarden IEC61010-1. Du kan finde nærmere oplysninger i de tekniske specifikationer.
- Kontrollér, at stikket er sat godt i stikkontakten.
- Slut IKKE flere enheder til én strømadapter for at undgå overhedning eller brandfare som følge af overbelastning.

## Batteri

- Det indbyggede batteri kan ikke tages ud. Kontakt producenten, hvis du har brug for en reparation.
- Oplad IKKE andre batterityper med den medfølgende oplader. Sørg for, at der ikke befinder sig brændbare materialer inden for 2 m fra opladeren under opladning.
- Hvis batteriet skal opbevares i en længere periode, skal du sikre, at det oplades fuldt hvert halve år for at bevare batteriets ydeevne. Ellers kan der opstå skade.
- Batteriet må IKKE anbringes i nærheden af en varmekilde eller åben ild. Undgå direkte sollys.
- For at undgå kemisk forbrænding må batteriet IKKE sluges.
- Batteriet må IKKE anbringes inden for børns rækkevidde.
- Når enheden er slukket, og RTC-batteriet er fuldt opladet, kan det bevare tidsindstillingerne i 15 dage.
- Ved første ibrugtagning skal du tænde enheden og oplade RTC-batteriet med lithium-batteriet i mindst 10 timer.
- Batterispændingen er 3,6 V, og batterikapaciteten er 6700 mAh.
- Batteriet er UL2054-certificeret.

## Vedligeholdelse

- Hvis produktet ikke fungerer korrekt, skal du kontakte din forhandler eller dit nærmeste servicecenter. Vi påtager os intet ansvar for problemer, der er forårsaget af uautoriseret reparation eller vedligeholdelse.
- Nogle få komponenter (fx den elektrolytiske kondensator) kræver regelmæssig udskiftning. Den gennemsnitlige levetid varierer. Derfor er det nødvendigt at udføre regelmæssig kontrol. Kontakt din forhandler for nærmere oplysninger.
- Tør enheden forsigtigt af med en ren klud og en lille mængde ætanol, hvis det er nødvendigt.
- Hvis udstyret bruges på en måde, der ikke er angivet af producenten, kan den beskyttelse, der enheden giver, blive forringet.
- Vi anbefaler, at du sender enheden til kalibrering en gang årligt. Kontakt din lokale forhandler for oplysninger om servicecentre.
- Bemærk, at grænsen for elektrisk strøm for USB 3.0 PowerShare-porten kan variere afhængigt af PC-mærke, hvilket kan medføre problemer med inkompatibilitet. Det anbefales derfor at anvende den almindelige USB 3.0- eller USB 2.0-port, hvis PC'en ikke kan genkende USB-enheden, når den tilsluttes via USB 3.0 PowerShare-porten.

## Driftsmiljø

- Enheden må IKKE udsættes for ekstremt varme, kolde, støvede, korroderende, salt- og alkaliholdige eller fugtige omgivelser. Kontrollér, at driftsmiljøet opfylder enhedens krav. Driftstemperaturen skal være fra -20 °C til 50 °C, og driftsluftfugtigheden skal være 90 % eller mindre.
- Denne enhed kan kun bruges sikkert i områder op til 2.000 meter over havets overflade.

- Placér enheden i et tørt, velventileret miljø.
- Enheden må IKKE udsættes for høj elektromagnetisk stråling eller støvede omgivelser.
- Objektivet må IKKE rettes mod solen eller et stærkt lys.
- Når der er et laserudstyr i brug, skal det kontrolleres, at enhedens objektiv ikke udsættes for laserstrålen, ellers kan det brænde ud.
- Enheden er velegnet til indendørs eller udendørs brug men må ikke udsættes for våde omgivelser.
- Beskyttelsesniveauet er IP 54.
- Forureningsgraden er 2.

### Nødsituation

- Hvis enheden afgiver røg, lugt eller støj, skal du straks slukke for strømmen og trække strømkablet ud. Kontakt derefter servicecentret.

### Laser

Advarsel: Laserstrålen, der udsendes fra enheden, kan forårsage øjenskade, forbrændinger på huden eller antændelse af brandbare stoffer. Beskyt øjnene mod direkte laserlys. Før du aktiverer funktionen Supplerende lys, skal du sikre, at der ikke er personer eller brandbare stoffer foran laserobjektivet. Bølgelængden er 650 nm, og effekten er mindre end 1 Mw. Laseren overholder standarden IEC60825-1:2014.

LASER RADIATION  
DO NOT STARE INTO BEAM  
CLASS 2 LASER PRODUCT  
λ=650nm, <1mW, IEC60825-1:2014



Vedligeholdelse af laser: Laseren kræver ikke regelmæssig vedligeholdelse. Hvis laseren ikke fungerer, skal lasersamlingen udskiftes på fabrikken under garantien. Hold enheden slukket, mens lasersamlingen udskiftes. Forsigtig - Hvis enheden ikke betjenes eller justeres i overensstemmelse med denne vejledning, kan det medføre farlig stråling.

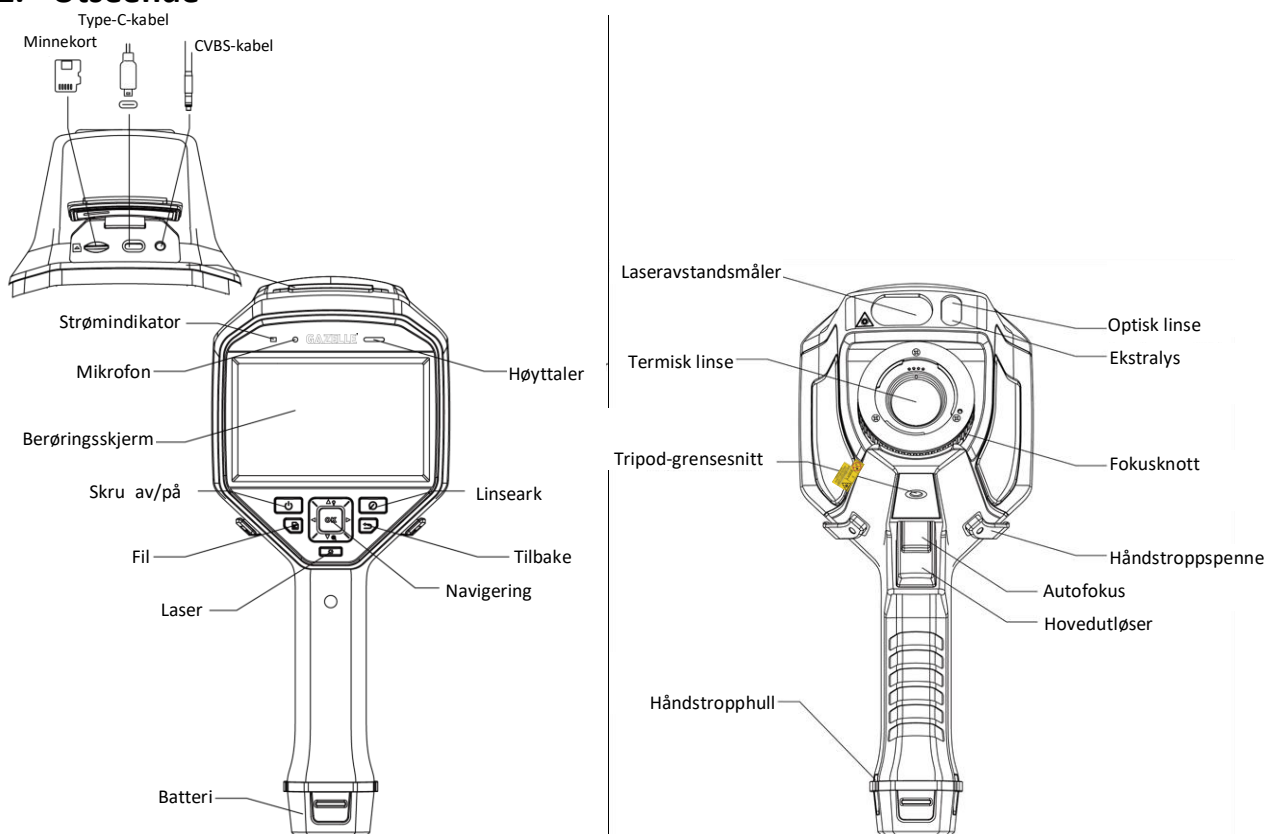
MEDDELELSE OM OVERENSSTEMMELSE: Produkterne i den termografiske serie kan være underlagt eksportkontrol i forskellige lande eller områder, herunder, uden begrænsning, USA, EU, Storbritannien og/eller andre medlemslande i Wassenaar-aftalen. Kontakt din professionelle juraekspert, ekspert i overensstemmelse eller de lokale offentlige myndigheder for at få oplysninger om kravene for eksportlicens, hvis du har til hensigt at overføre, eksportere eller geneksportere enheder i den termiske serie mellem forskellige lande.

Norsk

## 1. Kort beskrivelse

Det håndholdte termografiske kameraet er et kamera med både optiske bilder og termiske bilder. Den kan udføre termografi, afstandsmåling, videooptak, øyeblikksbildeoptak, alarm osv. Den innebygde høryfølsomme IR-detektoren og høyprestasjonssensoren registrerer temperaturendringer og måler sanntidstemperaturen. Temperaturmåleområdet er -20 °C til 650 °C (-4 °F to 1202 °F) med en nøyaktighet på ± 2 °C (± 3,6 °F) eller 2 %. Det hjelper brukeren med å finne den risikable delen og redusere tap av utstyr. Enheten støtter live-visning, optak og registrering på telefonen.

## 2. Utseende



**Merknad:** Varselskiltet er under laseren og på venstre side av enheten.

Komponent	Virkemåte
Navigasjonsknapp	Menymodus: <ul style="list-style-type: none"> <li>● Trykk ▽, △, ▷ og ◁ for å velge parametre.</li> <li>● Trykk på <b>OK</b> for å bekrefte.</li> </ul>
	Ikke-menymodus: <ul style="list-style-type: none"> <li>● Trykk △ for å skru LED-ekstralysen av/på.</li> <li>● Trykk ▽ for å starte digital zoom.</li> </ul>
Laserknapp	Hold knappen for å slå på laseren og slipp opp knappen for å skru av laseren.
Linsearkknapp	Dekk til linsen for å utføre korrigeringen.
Tilbakeknapp	Avslutt menyen eller gå tilbake til den forrige menyen.
Fokusknott	Juster linsens fokuslengde.
Utløser	Trekk i utløseren for å ta bilde eller skanne QR-koden. Hold utløseren for å ta opp videoer.
Autofokus	Trekk i utløseren for å skru autofokusfunksjonen av/på.
Kabelgrensesnitt	Lad enheten eller eksporter filer med medlevert kabel.

## 3. Lade enhet

Etter at enheten starter opp, viser OSD (skjermvisning) batteristatus. Når det er lite batteri, lader du enheten og påser at den fungerer som den skal.

Ved første lading lades enheten i 10 timer når enheten er skrudd på.

**Merknad:**

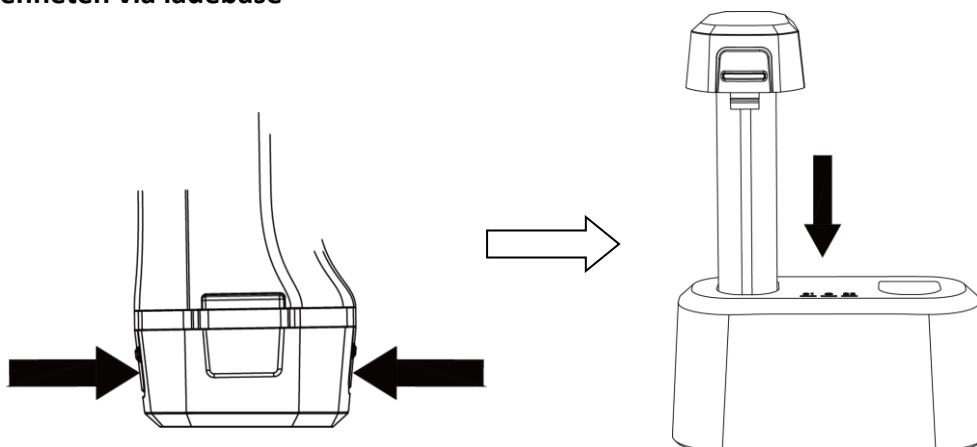
- Det innebygde knappecellebatteriet som driver sanntidsklokken (RTC) til enheten kan tappes i løpet av lengre tids transport eller lagring. Det anbefales å lade RTC-batteriet for at enhetens klokke skal fungere som den skal.
- For å lade RTC-batteriet helt, må følgende krav være oppfylt:
  - a) Oppladbare litiumbatterier bør brukes på enheten.
  - b) Enheten skal fortsette å fungere i mer enn 10 timer før den slår seg av.

### 3,1 Lade enheten via kabelgrensesnitt

#### Instruksjoner

1. Løft av dekselet til grensesnittet.
2. Plugg inn kabelen og lad enheten.

### 3,2 Lade enheten via ladebase



#### Instruksjoner:

1. Hold enheten og trykk begge batterilåsene til enheten.
2. Hold batterilåsene og trekk batteribasen for å ta ut batteriet.
3. Sett inn batteriene i ladebasen. Du kan se ladestatus via kontrollampen på ladebasen.
4. Når batteriet er fullt oppladet, tar du ut batteriet fra ladebasen.
5. Sett inn batteriene i enheten.

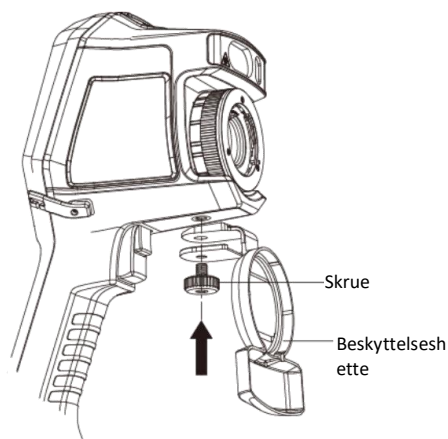
**Merknad:** Lad enheten med kabelen og strømadapteren som leveres av produsenten (eller i henhold til inngangsspenningen i spesifikasjonene).

## 4. Montere beskyttelsesdekselet

Sett på beskyttelsesdekselet når enheten ikke er i bruk.

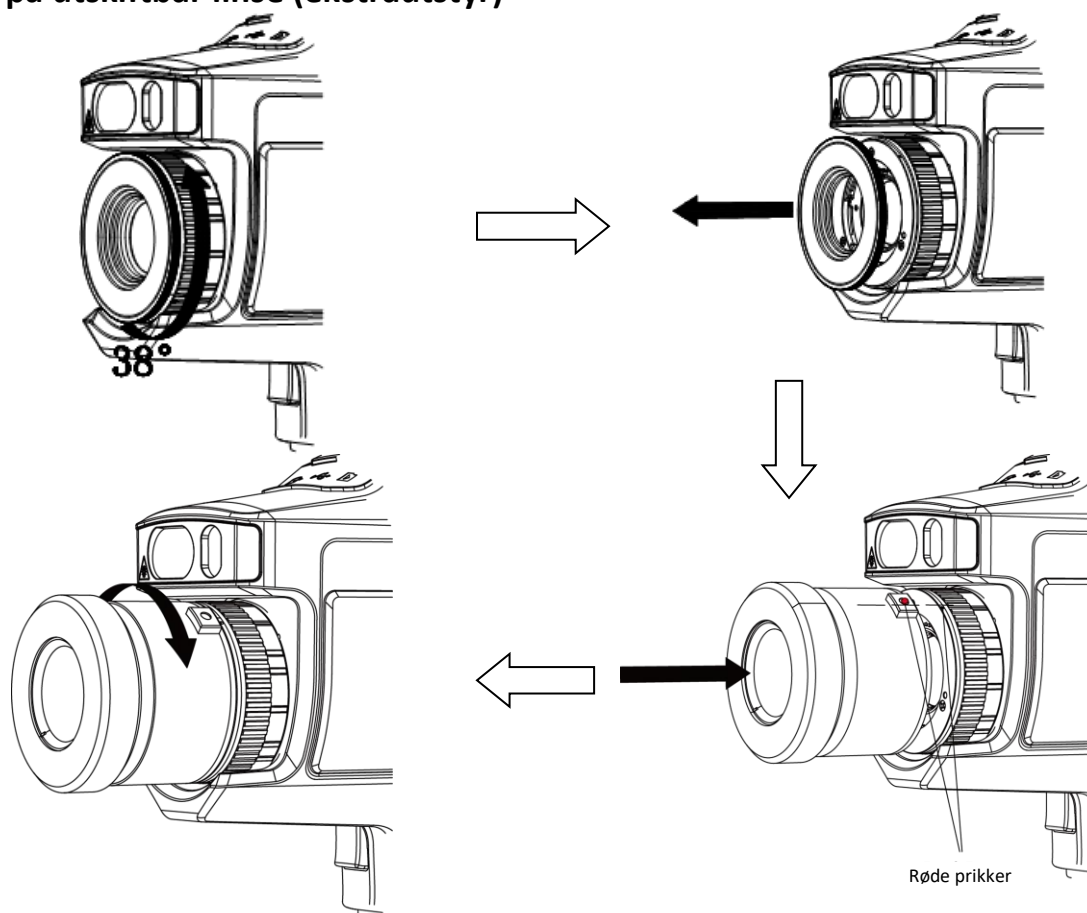
#### Instruksjoner

1. Still inn det gjengede hullet til enheten med monteringshullet til linsedekselet.
2. Sett inn skruen og roter den med klokken for å feste linsedekselet.





## 5. Sette på utskiftbar linse (ekstrautstyr)



### Instruksjoner

1. Skru av dekorativ ring 38 mot klokken.
2. Ta av den dekorative ring.
3. Still inn de to røde flekkene på det utskiftbare objektivet og enheten, og roter deretter det utskiftbare objektivet med klokken for å fullføre monteringen.
4. Roter den utskiftbare linsen med klokken for å feste den.

### Juridisk informasjon

Om denne Brukerhåndboken

Denne brukerhåndboken forklarer hvordan produktet skal brukes og vedlikeholdes. Bilder, tabeller og all annen informasjon er kun ment som beskrivelser og forklaringer. Informasjonen i brukerhåndboken kan bli endret uten varsel, f.eks. på grunn av fastvareoppdateringer. Du finner siste versjon av denne brukerhåndboken på selskapets nettsted.

Bruk denne håndboken i kombinasjon med hjelp fra profesjonelle fagfolk når du bruker produktet.

### Varemerkeinformasjon

Varemerker og logoer benyttet her er eiendeler tilhørende sine respektive eiere.

### JURIDISK INFORMASJON

DENNE HÅNDBOKEN OG PRODUKTET DEN GJELDER FOR (MASKINVARE, FASTVARE OG PROGRAMVARE) LEVERES «SOM DET ER», INKLUDERT ALLE FEIL OG MANGLER, TIL DEN GRAD DETTE TILLATES AV GJELDENDE LOVVERK. VÅRT SELSKAP GIR INGEN GARANTIER, UTTRYKKET ELLER IMPLISERT, INKLUDERT UTEN Å VÆRE BEGRENSET TIL SALGBARHET, TILFREDSSTILLENDEN KVALITET ELLER EGNETHET FOR ET BESTEMT FORMÅL. ALL BRUK AV

PRODUKTET SKJER UTELUKKENDE PÅ DIN EGEN RISIKO. SELSKAPET SKAL PÅ INGEN MÅTE GJØRES ANSVARLIG FOR NOEN SPESIELLE-, FØLGE- ELLER INDIREKTE SKADER, BLANT ANNET INKLUDERT SKADER SOM FØLGE AV TAPT SELSKAPSFORTJENESTE, FORRETNINGSAVBRUDD ELLER TAP AV DATA, ØDELEGGELSE AV SYSTEMER ELLER TAP AV DOKUMENTASJON, ENTEN BASERT PÅ BRUDD AV EN KONTRAKT, ERSTATNINGSANSVAR (INKLUDERT UAKTSOMHET), PRODUKTANSVAR ELLER ANNET, I FORBINDELSE MED BRUKEN AV PRODUKTET, SELV DERSOM SELSKAPET VÅRT HAR BLITT INFORMERT OM MULIGHETEN FOR SLIKE SKADER ELLER TAP.

DU ER KJENNER AT DET LIGGER I INTERNETTS NATUR Å HA IBOENDE SIKKERHETSRIKIKOER, OG AT SELSKAPET VÅRT IKKE SKAL HA NOE ANSVAR FOR UNORMAL DRIFT, PERSONVERNLEKKASJER ELLER ANDRE SKADER SOM FØLGER AV CYBERANGREP, HACKERANGREP, VIRUSINFISERING ELLER ANDRE SIKKERHETSRIKIKOER PÅ INTERNETT; MEN SELSKAPET VÅRT VIL LEVERE RASK TEKNISK STØTTE HVIS NØDVENDIG.

DU GODTAR Å BRUKE DETTE PRODUKTET I SAMSVAR MED ALLE GJELDENE LOVER, OG AT DU ER ENEANSVARLIG FOR Å FORSIKRE DEG OM AT DIN BRUK SKJER I SAMSVAR MED GJELDENE LOVER. SPESIFIKT NEVNES AT DU ER ANSVARLIG FOR Å BRUKE DETTE PRODUKTET PÅ EN MÅTE SOM IKKE KRENKER RETTIGHETENE TIL TREDJEPARTER, BLANT ANNET RETT TIL PUBLISERING, IMMATERIELLE EIENDOMSRETTIGHETER ELLER LOVER OM DATABESKYTTELSE OG PERSONVERN. DU SKAL IKKE BRUKE PRODUKTET TIL ULOVLIGE FORMÅL, BLANT ANNET UTVIKLING ELLER PRODUKSJON AV MASSEØDELEGGESVÅPEN, UTVIKLING ELLER PRODUKSJON AV KJEMISKE OG BIOLOGISKE VÅPEN, ENHVER FORM FOR AKTIVITET KNYTTET TIL KJERNEVÅPEN ELLER UTRYGG BRUK AV KJERNEFYSSK MATERIALE ELLER I FORBINDELSE MED BRUDD PÅ MENNESKERETTIGHETENE.

HVIS DET OPPSTÅR KONFLIKTER MELLOM BRUKERHÅNDBOKEN OG GJELDENE LOVVERK, ER DET SISTNEVNTE SOM GJELDER.

## Regulatorisk informasjon

### Samsvarserklæring for EU



Dette produktet og (hvis relevant) tilbehøret som følger med, er merket «CE», og overholder dermed de gjeldende, harmoniserte europeiske standardene som beskrives i EMC-direktiv 2014/30/EU og RoHS-direktiv 2011/65/EU



2012/19/EU (WEEE-direktivet): Produkter som er merket med dette symbolet kan ikke kastes som restavfall innenfor EU. Produktet skal returneres for resirkulering, enten til en forhandler/leverandør eller på en miljøstasjon eller et lignende, godkjent mottakssted. For mer informasjon, se [www.recyclethis.info](http://www.recyclethis.info).



2006/66/EC (batteridirektiv): Dette produktet inneholder et batteri som ikke kan kastes som restavfall innenfor EU. Se produktinformasjonen for spesifikk informasjon om batteriet. Batteriet er merket med dette symbolet, som også kan inneholde bokstaver for å indikere at det inneholder kadmium (Cd), bly (Pb) eller kvikksølv (Hg). Batteriet skal returneres for resirkulering, enten til en forhandler/leverandør eller til et godkjent mottakssted. For mer informasjon, se [www.recyclethis.info](http://www.recyclethis.info).

## Sikkerhetsinstrukser

Formålet med disse instruksjonene er at brukeren skal kunne bruke produktet riktig for å unngå skade og tap av eiendom.

### Lover og forskrifter

- Bruk av produktet må være i fullstendig samsvar med lokale sikkerhetsregulering for elektrisitet.

### Transport

- Enheten skal oppbevares i den originale emballasjen (eller lignende) under transport.

- Oppbevar all emballasje etter åpning for fremtidig bruk. I tilfelle det oppstår feil, må du returnere enheten til fabrikkens i den originale emballasjen. Transport uten den originale emballasjen kan føre til skader på enheter, et ansvar som ikke dekkes av selskapet.
- Produktet må ikke slippes i bakken eller utsettes for fysiske støt. Hold enheten borte fra magnetiske forstyrrelser.

### Strømforsyning

- Inngangseffekten skal overholde kravene til begrenset strømkilde (5 VDC, 940 mA) i standarden IEC61010-1. Les den tekniske dokumentasjonen for mer informasjon.
- Sørg for at kontakten er satt riktig inn i stikkkontakten.
- Koble IKKE flere enheter til ett strømadapter. Overbelastning av adaptere kan føre til overoppheting og brannfare.

### Batteri

- Det innebygde batteriet må ikke demonteres. Kontakt produsenten for reparasjon om nødvendig.
- IKKE lad andre batterityper med den leverte laderen. Bekreft at det ikke finnes brennbart materiale innenfor 2 m fra laderen under lading.
- Ved langvarig lagring må batteriet fullades hvert halvår for å bevare batterikvaliteten. Hvis ikke kan det oppstå skader.
- IKKE plasser batteriet i nærheten av oppvarming eller åpen ild. Unngå direkte sollys.
- IKKE svelg batteriet for å unngå kjemiske brannskader.
- IKKE plasser batteriet i nærheten av barn.
- Når enheten er slått av og RTC-batteriet er fullt, kan tidsinnstillingene lagres i 15 dager.
- Ved første gangs bruk slår du på enheten og lader RTC-batteriet med litiumbatteriet i mer enn 10 timer.
- Batterispenningen er 3,6 V og batteriets kapasitet er 6700 mAh.
- Batteriet er sertifisert av UL2054.

### Vedlikehold

- Hvis produktet ikke fungerer som det skal, må du kontakte forhandleren eller nærmeste servicesenter. Vi har ikke noe som helst ansvar for problemer forbundet med uautorisert reparasjon eller vedlikehold.
- Noen få enhetskomponenter (f.eks. elektrolytisk kondensator) krever regelmessig utskifting. Gjennomsnittlig levetid varierer, så periodisk kontroll anbefales. Vennligst kontakt forhandler for mer informasjon.
- Tørk forsiktig av enheten med en ren klut og en liten mengde etanol ved behov.
- Hvis enheten brukes på måter som ikke støttes av produsenten, kan enheten og funksjonene dens forringes.
- Vi anbefaler at du sender enheten tilbake for kalibrering en gang i året. Ta kontakt med den lokale forhandleren for informasjon om vedlikeholdspunkter.
- Merk at gjeldende grense for USB 3.0 PowerShare-porten kan variere med PC-merket, noe som sannsynligvis vil føre til inkompatibilitetsproblemer. Derfor anbefales det å bruke vanlig USB 3.0- eller USB 2.0-port hvis USB-enheten ikke gjenkjennes av PC via USB 3.0 PowerShare-porten.

### Bruksomgivelser

- IKKE utsett utstyret for ekstrem varme, kulde, støv, korroderende, saltholdige eller alkaliske miljøer eller fuktige miljøer. Sørg for at bruksomgivelsene oppfyller kravene til enheten. Driftstemperaturen må være mellom -20 °C og 50 °C (-4 °F og 122 °F) og driftsfuktigheten må være 90 % eller mindre.
- Denne enheten kan bare brukes trygt lavere enn 2000 meter over havoverflaten.
- Ha enheten i et tørt og godt ventilert miljø.
- IKKE eksponer enheten for høy elektromagnetisk stråling eller støvete miljøer.
- Linsen må IKKE rettes mot solen eller andre sterke lyskilder.
- Når laserutstyr er i bruk, må det sørges for at enhetens linse ikke eksponeres for laserstrålen for å unngå at den brenner ut.
- Apparatet egner seg både til innendørs og utendørs bruk, men ikke utsett det for våte forhold.

- Beskyttelsesgraden er IP 54.
- Forurensningsgraden er 2.

### Nød

- Hvis det kommer røyk, lukt eller støy fra enheten, må du øyeblikkelig skru av strømmen, trekke ut strømledningen og kontakte et servicesenter.

### Laser

Advarsel: Laserstrålingen som enheten avgir kan forårsake øyeskader, brannskader eller brennbare stoffer. Beskytt øynene mot direkte laser. Før Lyssupplement-funksjonen aktiveres, må du kontrollere at ingen personer eller brennbare stoffer er plassert foran laserlinsen. Bølgelengden er 650 nm og effekten er mindre enn 1 mW. Laseren oppfyller standarden IEC60825-1:2014.



Laservedlikehold: Det er ikke nødvendig å regelmessig vedlikeholde laseren. Hvis laseren ikke fungerer, må laserenheten byttes ut på fabrikken under garanti. Hold enheten avskrudd når du bytter laserenhet. Advarsel: Bruk av kontroller eller justering, eller kjøring av prosedyrer andre enn de som er spesifisert her, kan resultere i utsettelse for farlig stråling.

MERKNAD OM SAMSVAR: Produktene i termoserien kan bli underlagt eksportkontroller i forskjellige land eller regioner, inkludert, uten begrensning, USA, Den europeiske union, Storbritannia og Nord-Irland og/eller andre medlemsland i Wassenaar-avtalen. Snakk med din profesjonelle juridiske ekspert eller samsvareksperter, eller lokale myndigheter for eventuelle nødvendige eksportlisenskrav hvis du ønsker å overføre, eksportere, re-eksportere termoserie-produkter mellom forskjellige land.

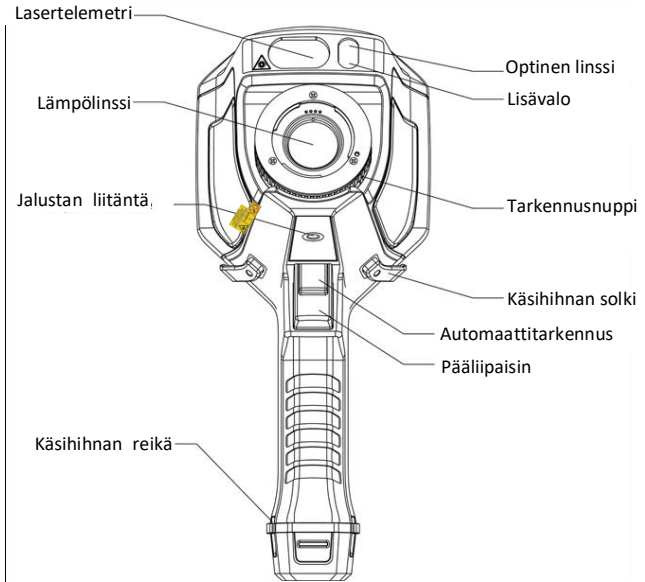
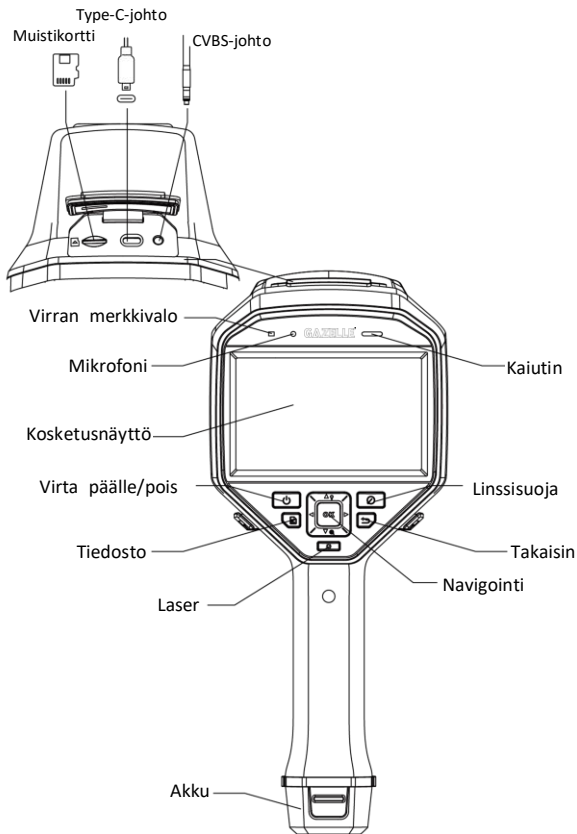
**Suomi**

## 1. Lyhyt kuvaus

Kannettava lämpökamera on kamera, jolla saa sekä optisia kuvia että lämpökuvia. Sillä voidaan ottaa lämpökuvia, mitata etäisyyksiä, tallentaa videoita, kaapata tilannekuvia, hälyttää jne. Sisäänrakennettu herkkä IR-tunnistin ja korkeatehoinen anturi tunnistavat lämpötilan muutokset ja mittaavat lämpötilan reaaliaikaisesti. Lämpötilan mittausalue on -20–650 °C ja mittaustarkkuus ± 2 °C tai 2 %. Se auttaa käyttäjiä löytämään riskialttiit osat ja vähentämään omaisuusvahinkoja.

Laite tukee live-näkymää, kaappausta ja puhelimeen tallennusta.

## 2. Ulkoasu



**Huomautus:** Varoitusmerkki on laserin alla ja laitteen vasemmalla puolella.

Komponentti	Toiminta
Navigointipainike	Valikkotila: <ul style="list-style-type: none"> <li>● Valitse parametrit painamalla ▽, △, ▷ ja ◁.</li> <li>● Vahvasta painamalla <b>OK</b>.</li> </ul>
	Ei valikkotila: <ul style="list-style-type: none"> <li>● Kytke LED-lisävalo päälle / pois päältä painamalla △.</li> <li>● Käynnistä digitaalinen zoomaus painamalla ▽.</li> </ul>
Laser-painike	Kytke laser päälle pitämällä painiketta painettuna ja kytke laser pois päältä vapauttamalla painike.
Linssisuoja	Peitä linssi korjauksen tekemiseksi.
Takaisin-painike	Poistu valikosta tai palaa edelliseen valikkoon.
Tarkennusnuppi	Säädä linssin polttoväli.
Liipaisin	Kaappaa kuva tai skannaa QR-koodi vetämällä liipaisinta. Tallenna videoita pitämällä liipaisinta.
Automaattitarkennus	Kytke automaattitarkennus päälle / pois päältä vetämällä liipaisinta.
Johtoliitäntä	Lataa laite tai vie tiedostot mukana toimitetun johdon avulla.

### 3. Laitteen lataaminen

Kun laite käynnistyy, kuvaruutunäytössä (OSD) näkyy akun varaustila. Jos akun varaus on alhainen, lataa laite ja varmista, että se toimii oikein.

Lataa laitetta ensimmäisellä latauskerralla 10 tuntia, kun laitteeseen kytketään virta.

#### Huomautus:

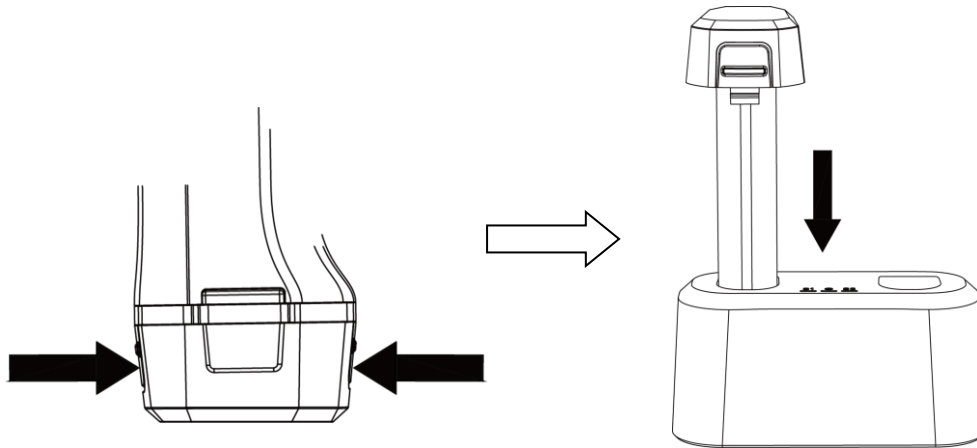
- Sisäänrakennettu kennoakku antaa virran laitteen reaaliaikaiselle kellolle (RTC). Akku voi tyhjentyä pitkän kuljetuksen tai säilytyksen aikana. Suosittelemme lataamaan RTC-akun laitteen kellon oikean toiminnan takia.
- Seuraavien vaatimusten on täyttyvä RTC-akun lataamiseksi täyteen:
  - a) Ladattavien litiumakkujen on oltava asennettuina laitteeseen.
  - b) Laitteen on toimittava yli 10 tuntia ennen sammuttamista.

#### 3.1 Lataa laite johtoliitännän kautta

##### Vaiheet

1. Nosta liitännän kansi.
2. Liitä johto ja lataa laite.

#### 3.2 Lataa laite latausalustalla



##### Vaiheet:

1. Pidä laitetta ja paina molempia laitteen akun lukkosalpoja.
2. Pidä lukkosalpoja ja vedä akkualustaa saadaksesi akun ulos.
3. Aseta akku latausalustaan. Näet latauksen tilan latausalustan merkkivalosta.
4. Kun akku on ladattu täyteen, vedä akku irti latausalustasta.
5. Aseta akku laitteeseen.

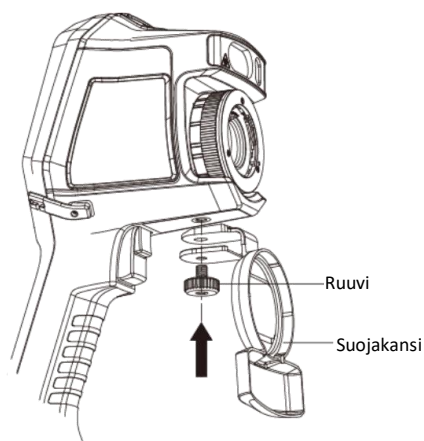
**Huomautus:** Lataa laite valmistajan toimittamalla johdolla ja virtasovittimella (tai teknisten tietojen mukaisella tulojännitteellä).

#### 4. Asenna suojakansi

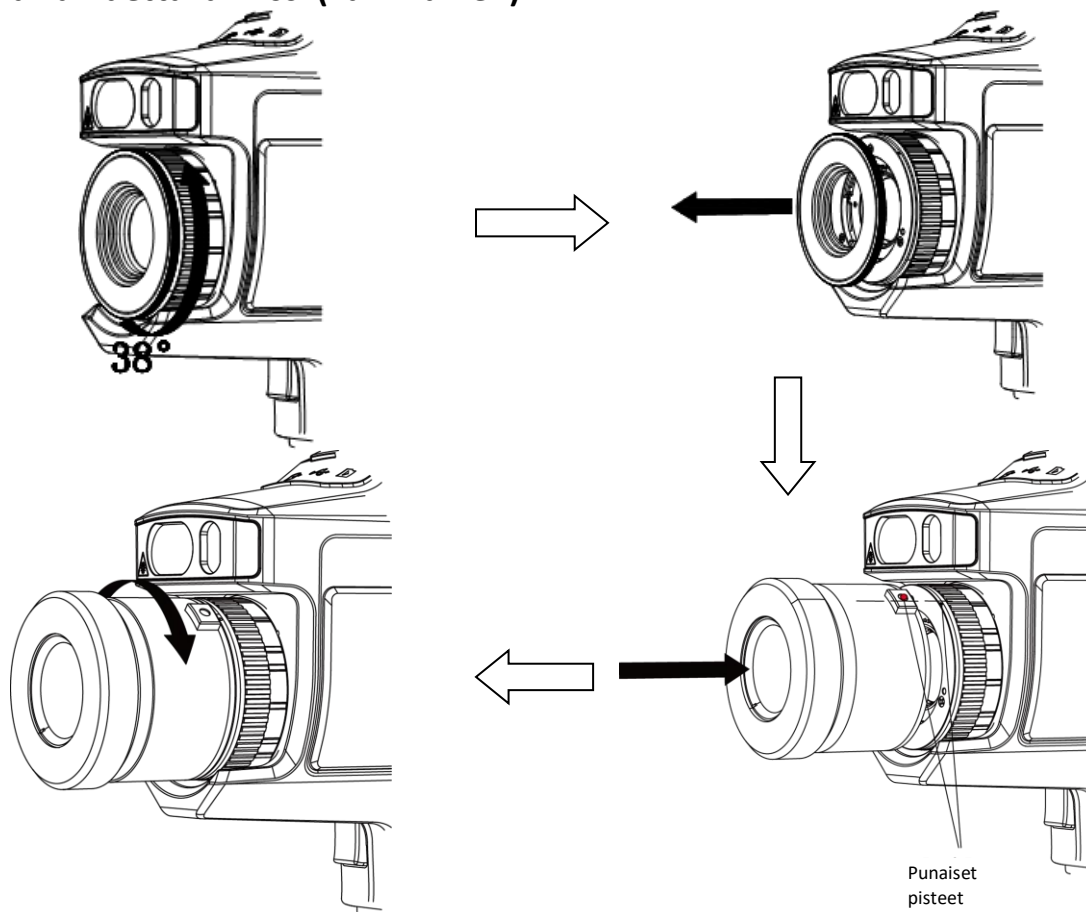
Kiinnitä suojakansi, kun laite ei ole käytössä.

##### Vaiheet

1. Kohdista laitteen kierteinen reikä linssin suojuksen asennusreikään.
2. Aseta ruuvi ja kierrä sitä myötäpäivään linssin suojuksen kiinnittämiseksi.



#### 5. Asenna vaihdettava linssi (valinnainen)



##### Vaiheet

1. Käännä koristerengasta 38° vastapäivään.
2. Poista koristerengas.
3. Kohdista vaihdettavan linssin ja laitteen kaksi punaista pistettä ja päätä sitten asennus kiertämällä vaihdettavaa linssiä myötäpäivään.
4. Kiinnitä vaihdettava linssi kiertämällä sitä myötäpäivään.

## Oikeudelliset tiedot

Tietoa käyttöohjeesta

Käyttöohjeessa on ohjeita tuotteen käyttämiseen ja hallintaan liittyen. Kuvat, kaaviot ja muut tiedot ovat tästä eteenpäin ainoastaan kuvaus- ja selitystarkoituksiin. Käyttöohjeen sisältämiä tietoja voidaan muuttaa ilman erillistä ilmoitusta laiteohjelmiston päivityksen vuoksi tai muusta syystä. Tämän käyttöoppaan viimeisin versio löytyy yhtiön verkkosivustolta.

Käytä tätä käyttöopasta ohjeena ja tuotteen käyttöön koulutettujen ammattilaisten apuna.

### Tavaramerkkien tunnustaminen

Mainitut tavamerkit ja logot ovat omistajiensa omaisuutta.

### VASTUUVAPAUSLAUSEKE

TÄMÄ KÄYTTÖOPAS JA KUVATTU TUOTE (SISÄLTÄÄ LAITTEISTON, OHJELMISTON JA LAITEOHJELMISTON) TOIMITETAAN SELLAISENAAN KAIKKINE VIKOINEEN JA VIRHEINEEN SIINÄ MÄÄRIN KUIN SOVELLETTAVAT LAIT SEN SALLIVAT. YRITYKSEMME EI ANNA MITÄÄN NIMENOMAISIA TAI EPÄSUORIA TAKUITA, MUKAAN LUKIEN NÄIHIN KUITENKAAN RAJOITTUMATTA, MYYNTIKELPOISUUS, TYYDYTTÄVÄ LAATU TAI SOVELTUVUUS TIETTYYN KÄYTTÖTARKOITUKSEEN. TUOTTEEN KÄYTTÖ ON TÄYSIN OMALLA VASTUULLASI. YRITYKSEMME EI OLE MISSÄÄN TAPAUKSESSA VASTUUSSA SINULLE MISTÄÄN TUOTTEEN KÄYTTÄMISEEN LIITTYVISTÄ ERITYISISTÄ, SEURAAMUKSELLISISTA, TAHATTOMISTA TAI EPÄSUORISTA VAHINGOISTA, MUKAAN LUKIEN MUIDEN LISÄKSI LIIKETOIMINNAN TUOTON MENETTÄMINEN, LIIKETOIMINNAN KESKEYTYMINEN, TIETOJEN MENETTÄMINEN, JÄRJESTELMIEN VAHINGOITTUMINEN, DOKUMENTAATION MENETTÄMINEN, RIIPPUMATTA SIITÄ, ONKO KYSEESSÄ SOPIMUSRIKKOMUS, VAHINKO (MUKAAN LUKIEN HUOLIMATTOMUUS), TUOTEVASTUU TAI MUU, VAIKKA YRITYKSELLEMME OLISI ILMOITETTU NÄIDEN VAHINKOJEN TAI MENETysten MAHDOLLISUUDESTA. HYVÄKSYT, ETTÄ INTERNET SISÄLTÄÄ LUONNOSTAAN TIETOTURVARISKEJÄ, EIKÄ YRITYKSEMME OLE VASTUUSSA EPÄNORMAALISTA TOIMINNASTA, YKSITYISTIETOJEN VUOTAMISESTA TAI MUISTA VAHINGOISTA, JOTKA JOHTUVAT TIETOVERKKOYÖKKÄYKSISTÄ, HAKKERIHYÖKKÄYKSISTÄ, VIRUSTARTUNNOISTA TAI MUISTA TIETOTURVARISKEISTÄ, MUTTA YRITYKSEMME TARJOAA TARVITTAESSA TEKNISTÄ TUKEA. SUOSTUT KÄYTTÄMÄÄN TÄTÄ TUOTETTA KAIKKIEN SOVELLETTAVISSA OLEVIEN LAKIEN MUKAISESTI, JA OLET YKSIN VASTUUSSA SEN VARMISTAMISESTA, ETTÄ KÄYTTÖSI NOUDATTAO SOVELLETTAVISSA OLEVAA LAKIA. OLET ERITYISESTI VASTUUSSA TÄMÄN TUOTTEEN KÄYTTÄMISESTÄ SELLAISELLA TAVALLA, ETTÄ KÄYTTÖ EI RIKO KOLMANSIEN OSAPUOLTEN OIKEUKSIA, MUKAAN LUKIEN MUTTA NÄIHIN RAJOITTUMATTA, JULKAISUOIKEUS, IMMATERIAALIOIKEUDET TAI TIETOSUOJA JA MUUT YKSITYISYDEN SUOJAT. SINULLA EI OLE LUPAA KÄYTTÄÄ TÄTÄ TUOTETTA MIHINKÄÄN KIELLETTYYN TARKOITUKSEEN, MUKAAN LUKIEN JOUKKOTUHOASEIDEN KEHITYS TAI TUOTANTO, KEMIAALLISTEN TAI BIOLOGISTEN ASEIDEN KEHITYS TAI TUOTANTO TAI MIHINKÄÄN TOIMINTOIHIN, JOTKA LIITTYVÄT MIHINKÄÄN YDINASEESEEN TAI VAARALLISEEN YDINPOLTTOAINEKIERTOON TAI IHMISOIKEUKSIEN RIKKOMISEN TUKEMISEEN. MIKÄLI TÄMÄ KÄYTTÖOPAS JA SOVELLETTAVA LAKI OVAT RISTIRIIDASSA, SOVELLETAAN JÄLKIMMÄISTÄ.

### Tietoja säädöksistä

#### EU:n vaatimustenmukaisuusvakuutus



Tämä tuote ja sen lisälaitteet, mikäli ne ovat käytössä, on merkitty "CE"-merkinnällä, ja ne täyttävät siten sovellettavat yhdenmukaistetut eurooppalaiset standardit, jotka on lueteltu EMC-direktiivissä 2014/30/EU, RoHS-direktiivissä 2011/65/EU



2012/19/EU (WEEE-direktiivi): Tällä symbolilla merkityjä tuotteita ei saa hävittää lajittelemattoman yhdyskuntajätteen mukana EU:n alueella. Kierrätä tuote asianmukaisesti palauttamalla se paikalliselle myyjälle vastaavan uuden laitteen hankkimisen yhteydessä tai vie se asianmukaiseen keräyspisteeseen. Lisätietoja: [www.recyclethis.info](http://www.recyclethis.info).





2006/66/EY (paristo- ja akkudirektiivi): Tässä tuotteessa on paristo tai akku, jota ei saa hävittää lajittelemattoman yhdyskuntajätteen mukana EU:n alueella. Lisätietoja paristosta tai akusta on tuotteen dokumentaatioissa. Paristo tai akku on merkitty tällä symbolilla, ja siihen voi sisältyä käytetyn aineen eli kadmiumin (Cd), lyijyn (Pb) tai elohopean (Hg) kirjainmerkintä. Kierrätä paristo tai akku asianmukaisesti viemällä se myyjälle tai asianmukaiseen keräyspisteeseen. Lisätietoja: [www.recyclethis.info](http://www.recyclethis.info).

## Turvallisuusohjeet

Näiden ohjeiden tarkoituksena on varmistaa, että käyttäjä voi käyttää laitetta oikein ja välttää vaaratilanteet tai omaisuusvahingot.

### Lait ja säännökset

- Tuotteen käytössä on noudatettava tarkasti paikallisia sähköturvallisuusmääräyksiä.

### Kuljetus

- Säilytä laitetta alkuperäispakkauksessaan tai sitä vastaavassa pakkauksessa, kun kuljetat sitä.
- Säilytä kaikki pakkaukset purkamisen jälkeen myöhempää tarvetta varten. Jos laitteeseen tulee vika, laite on palautettava tehtaalte alkuperäispakkauksessaan. Kuljettaminen muussa kuin alkuperäispakkauksessa voi johtaa laitteen vahingoittumiseen, eikä yritys ota siitä mitään vastuuta.
- Älä pudota tuotetta tai altista sitä iskuille. Pidä laite loitolla magneettisten häiriöiden lähteistä.

### Virtalähde

- Tulojännitteen on vastattava LPS-virtalähteelle (5 V DC, 940 mA) asetettuja vaatimuksia IEC61010-1-standardin mukaisesti. Lisätietoja on tuotteen teknisissä tiedoissa.
- Varmista, että pistoke on liitetty oikein pistorasiaan.
- ÄLÄ liitä useita laitteita samaan virtasovittimeen ylikuormituksesta aiheutuvan tulipalovaaran välttämiseksi.

### Akku

- Sisäänrakennettua akkua ei voi irrottaa. Ota yhteyttä valmistajaan, jos se vaatii korjauksia.
- ÄLÄ lataa muita akkutyyppejä mukana toimitetulla laturilla. Varmista, että kahden metrin säteellä laturista ei ole syttyvää materiaalia latauksen aikana.
- Kun akkua varastoidaan pitkän aikaa, varmista, että se ladataan täyteen puolen vuoden välein. Näin varmistetaan akun suorituskyvyn säilyminen. Muuten voi syntyä vahinkoja.
- ÄLÄ laita akkua lämmönlähteen tai tulen lähelle. Vältä suoraa auringonvaloa.
- ÄLÄ nielaise akkua, sillä se voi aiheuttaa kemiallisia palovammoja.
- ÄLÄ aseta akkua lasten ulottuville.
- Kun laite on kytketty pois päältä ja RTC-akku on ladattu täyteen, aika-asetukset säilyvät 15 päivää.
- Ensimmäisellä käyttökerralla kytke laite päälle ja lataa RTC-litiumakkua yli 10 tuntia.
- Akun jännite on 3,6 V ja akun kapasiteetti on 6700 mAh.
- Akku on UL2054-sertifioitu.

### Kunnossapito

- Jos tuote ei toimi oikein, ota yhteys jälleenmyyjään tai lähimpään huoltoliikkeeseen. Emme ole vastuussa ongelmista, jotka johtuvat luvattomista korjaus- tai huoltotoista.
- Jotkin osat (esim. elektrolyyttikondensaattori) on vaihdettava säännöllisesti. Keskimääräinen käyttöikä vaihtelee, joten on suositeltavaa suorittaa tarkastuksia aika ajoin. Ota yhteyttä jälleenmyyjään saadaksesi lisätietoja.
- Pyyhi laitteen pinnat varovaisesti puhtaalla liinalla ja tarvittaessa pienellä määrällä etanolia.
- Jos laitetta käytetään valmistajan antamista ohjeista poikkeavalla tavalla, laitteen tarjoama suojaus voi vaarantua.
- Suosittelemme lähettämään laitteen kalibroitavaksi kerran vuodessa. Pyydä tiedot huoltopisteistä paikalliselta

jälleenmyyjältä.

- Huomaa, että USB 3.0 PowerShare-portin virtaraja voi vaihdella tietokonemerkin mukaan, mikä voi aiheuttaa yhteensopivuusongelmia. Tästä syystä suosittelemme käyttämään tavallista USB 3.0- tai USB 2.0 -porttia, jos tietokone ei tunnista USB-laitetta USB 3.0 PowerShare-portin kautta.

### Käyttöympäristö

- ÄLÄ altista laitetta erittäin kuumille, kylmille, pölyisille, syövyttävälle, kosteille tai suolaisille alkaliympäristöille. Varmista, että käyttöympäristö täyttää laitteelle määritetyt vaatimukset. Käyttölämpötilan pitää olla -20–50°C ja käyttöympäristön ilmankosteus saa olla enintään 90 %.
- Tätä laitetta voi käyttää turvallisesti vain alueilla, jotka ovat enintään 2000 metriä merenpinnan yläpuolella.
- Sijoita laite kuivaan ja hyvin ilmastoituun paikkaan.
- ÄLÄ altista laitetta suurelle sähkömagneettiselle säteilylle tai pölyiselle ympäristölle.
- ÄLÄ suuntaa linssiä aurinkoon tai muuhun kirkkaaseen valoon.
- Kun laserlaitetta käytetään, varmista, ettei lasersäde osu laitteen linssiin. Muussa tapauksessa se voi palaa.
- Laite soveltuu sisä- ja ulkokäyttöön, mutta älä altista sitä kosteille olosuhteille.
- Suojausluokka on IP 54.
- Saastumisaste on 2.

### Hätä

- Jos laitteesta erittyy savua tai hajua tai laite pitää ääntä, kytke laitteen virta pois päältä, irrota virtajohto ja ota yhteyttä huoltoliikkeeseen.

### Laser

Varoitus: Laitteesta säteilevä lasersäteily voi aiheuttaa silmävammoja tai ihon ja syttyvien aineiden palamista. Älä altista silmiä suoralle lasersäteilylle. Ennen lisävalotoiminnon käyttöönottoa varmista, ettei laserlinssin edessä ole ihmisiä tai syttyviä aineita. Aallon pituus on 650 nm ja teho on alle 1 Mw. Laser täyttää IEC60825-1:2014-standardin vaatimukset.



Laserin kunnossapito: laser ei vaadi säännöllistä kunnossapitoa. Jos laser ei toimi, laserkokoonpano on vaihdettava tehtaalla takuuaikana. Laitteen pitää olla kytkettynä pois päältä, kun laserkokoonpanoa vaihdetaan. Huomio – muiden säätimien käyttäminen tai muiden säätöjen tai toimenpiteiden tekeminen kuin tässä kuvattujen voi aiheuttaa vaarallisen säteilylle altistumisen.

**VAATIMUSTENMUKAISUUSILMOITUS:** Lämpöteknologiatuotteisiin voidaan soveltaa vientivalvontaa eri maissa tai eri alueilla, mukaan lukien rajoituksetta Yhdysvallat, Euroopan Unioni, Yhdistynyt kuningaskunta ja/tai muut Wassenaarin järjestelyn jäsenvaltiot. Neuvottele oikeudellisen asiantuntijan tai vaatimustenmukaisuusasiantuntijan tai paikallisen viranomaisen kanssa saadaksesi tietoja vientilupavaatimuksista, jos aiot siirtää, viedä tai jälleenviedä lämpöteknologiatuotteita eri maihin.

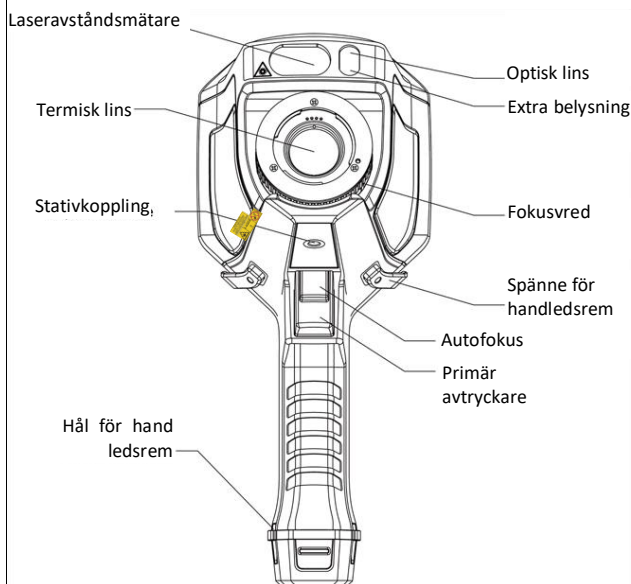
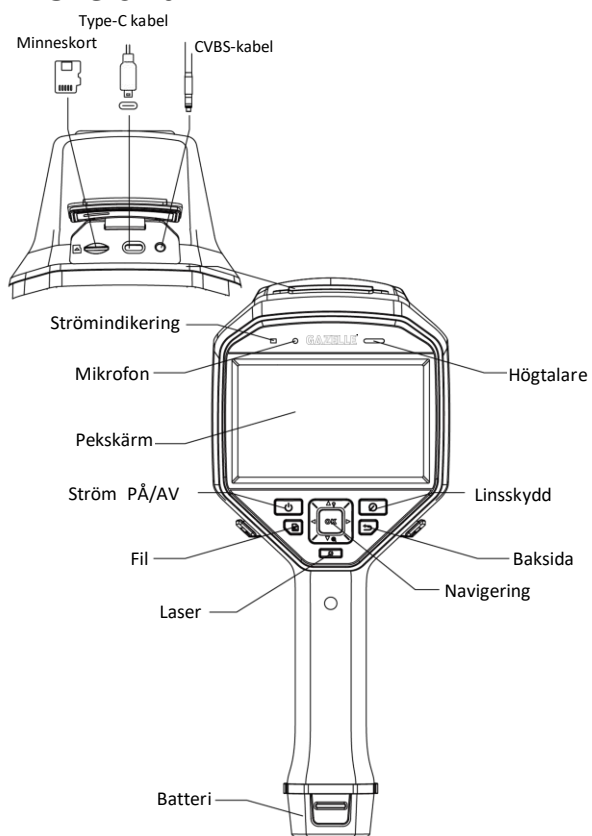
**Svenska**

## 1. Kort beskrivning

Den handburna värmekameran är en kamera för både optiska och termiska bilder. Den kan utföra termografi, avståndsmätning, videospelning, stillbildstagning, larm, etc. Den inbyggda högkänsliga IR-detektorn känner av temperaturförändringar och mäter temperatur i realtid. Mätområdet för temperatur är -20 °C till 650 °C med en noggrannhet på ± 2 °C eller 2 %. Den gör det lättare för användare att finna riskutsatta delar och minska sina egendomsförluster.

Enheten har stöd för realtidsvisning, bildtagning och inspelning på din telefon.

## 2. Översikt



**Obs!** Varningsskylten sitter under lasern och till vänster på enheten.

Komponenter	Funktion
Navigationsknapp	Menyläge: <ul style="list-style-type: none"> <li>● Tryck på ▽, △, ▷ och ◁ för att välja parametrar.</li> <li>● Tryck på <b>OK</b> för att bekräfta.</li> </ul>
	Utanför menyläge: <ul style="list-style-type: none"> <li>● Tryck på △ för att slå på/av extrabelysningen.</li> <li>● Tryck på ▽ för att starta den digitala förstoringen.</li> </ul>
Laserknapp	Håll in knappen för att slå på lasern och släpp knappen för att slå av lasern.
Knapp för linsskydd	Täck för objektivet för att utföra korrigeringen.
Knapp för att gå tillbaka	Avsluta menyn eller återgå till föregående meny.
Fokusvred	Justera objektivets brännvidd.
Avtryckare	Tryck på avtryckaren för att ta en bild eller för att skanna QR-koden. Håll avtryckaren intryckt för att spela in videor.
Autofokus	Tryck på avtryckaren för att slå av/på funktionen autofokus.
Kabelanslutning	Ladda enheten eller exportera filer med den medföljande kabeln.

## 3. Ladda enheten

När enheten har startat visas batteriets status i displayen. Ladda enheten om batterinivån är låg och säkerställ att den fungerar korrekt.

Vid den första laddningen bör du ladda enheten i tio timmar efter att den har slagits på.

**Obs!**

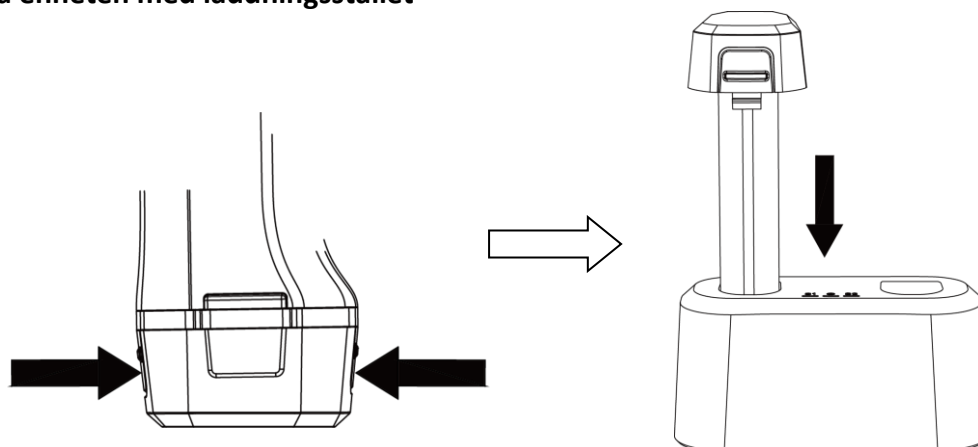
- Den inbyggda battericellen som strömförsörjer enhetens realtidsklocka kan laddas ur vid långvarig transport eller förvaring. Det är rekommenderat att ladda upp realtidsklockans batteri för att enhetens klocka ska fungera korrekt.
- Följande kriterier måste vara uppfyllda för att ladda realtidsklockans batteri helt:
  - a) De laddningsbara litiumbatterierna måste vara monterade i enheten.
  - b) Enheten bör vara i drift i mer än tio timmar innan den stängs av.

### 3,1 Ladda enheten via kabelanslutningen

#### Steg

1. Lyft upp anslutningens lucka.
2. Anslut kabeln och ladda enheten.

### 3,2 Ladda enheten med laddningsstället



#### Steg:

1. Håll i enheten, och tryck på batteriets båda låsspärrar.
2. Håll i låsspärrarna och dra ur batteriet.
3. Sätt i batteriet i laddningsstället. Du kan se laddningens status på laddningsställets indikeringslampa.
4. Ta ur batteriet ur laddningsstället när batteriet är fulladdat.
5. Sätt i batteriet i enheten.

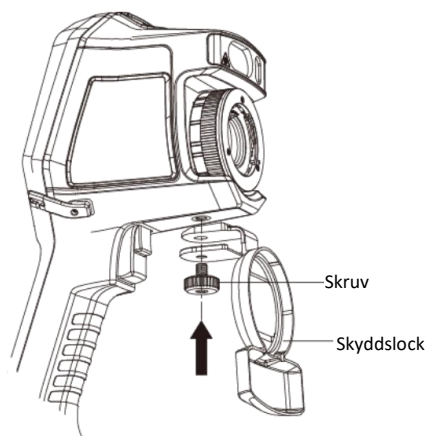
**Obs!** Ladda enheten med den kabel och strömadapter som levereras av tillverkaren (eller i enlighet med specifikationens inspänning).

## 4. Montera skyddslock

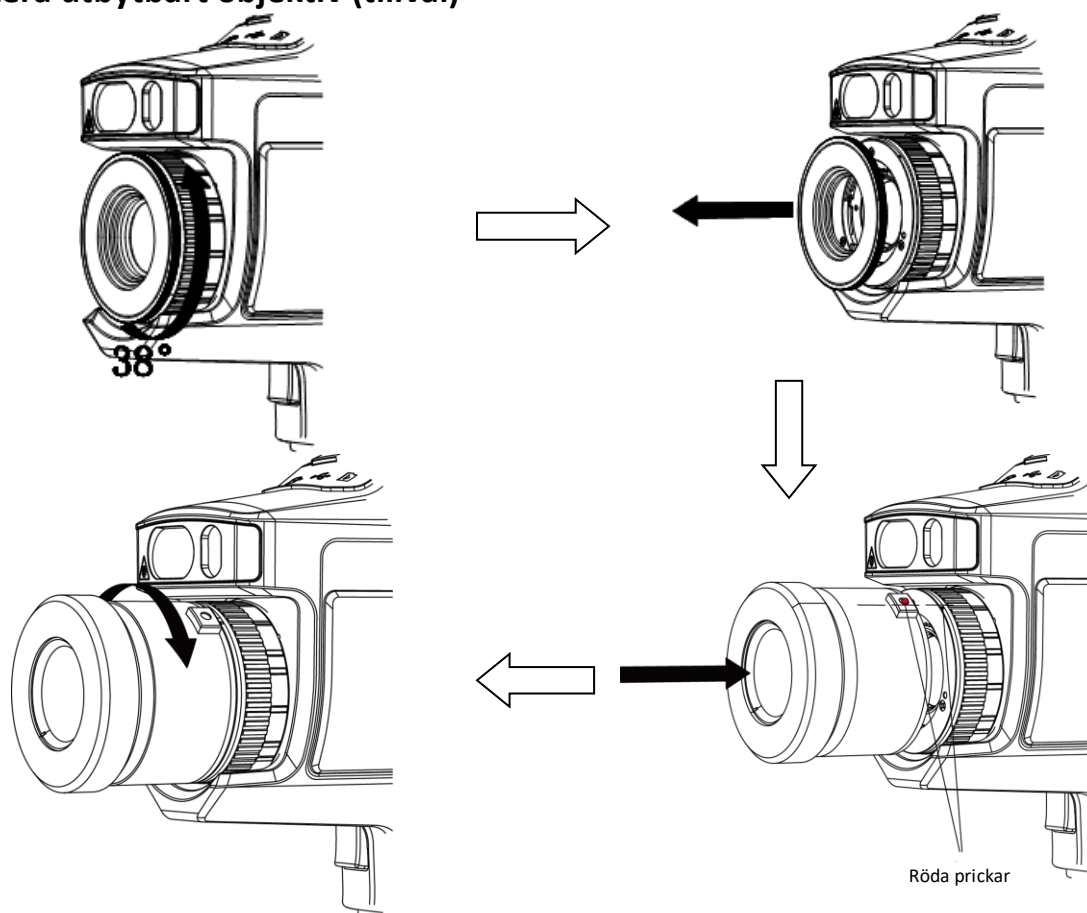
Montera skyddslocket när enheten inte används.

#### Steg

1. Justera enhetens gängade hål gentemot linsskyddets monteringshål.
2. Sätt i skruven och vrid den medurs för att fästa linsskyddet.



## 5. Montera utbytbart objektiv (tillval)



### Steg

1. Vrid den dekorativa ringen 38° moturs.
2. Avlägsna den dekorativa ringen.
3. Justera de två röda prickarna på det utbytbara objektivet och enheten gentemot varandra, vrid sedan det utbytbara objektivet medurs för att slutföra monteringen.
4. Vrid det utbytbara objektivet medurs för att fästa det.

### Juridisk information

Om bruksanvisningen

Bruksanvisningen innehåller anvisningar för användning och underhåll av produkten. Bilder, diagram och illustrationer och all annan övrig information är enbart avsedda som beskrivningar och förklaringar.

Informationen i bruksanvisningen kan, utan föregående meddelande, komma att ändras, vid uppgradering av fast programvara eller av andra skäl. Den senaste versionen av bruksanvisningen finns på företagets webbplats. Använd bruksanvisningen tillsammans med vägledning och assistans från yrkespersoner som utbildats i att ge stöd för produkten.

### Deklaration avseende varumärken

Varumärken och logotyper som omnämns är respektive ägares egendom.

### ANSVARFRISKRIVNING

BRUKSANVISNINGEN OCH DEN PRODUKT SOM BESKRIVS, MED DESS HÅRDVARA, MJUKVARA OCH FASTA PROGRAMVARA TILLHANDAHÅLLES "I BEFINTLIGT SKICK" OCH "MED ALLA FEL OCH BRISTER" SÅ LÅNGT DETTA ÄR TILLÅTET ENLIGT TILLÄMPLIG LAGSTIFTNING. VÅRT FÖRETAG GER INGA GARANTIER VARKEN UTTRYCKLIGA

ELLER UNDERFÖRSTÅDDA, INKLUDERANDE UTAN BEGRÄNSNING, FÖR SÄLJBARHET, TILLFREDSSTÄLLANDE KVALITET ELLER LÄMPLIGHET FÖR ETT VISST ÄNDAMÅL. ANVÄNDNING AV PRODUKTEN SKER HELT PÅ EGEN RISK. DU SKA INTE UNDER NÅGRA OMSTÄNDIGHETER HÅLLA VÅRT FÖRETAG ANSVARIGT FÖR NÅGRA SÄRSKILDA SKADOR, FÖLJDSKADOR ELLER INDIREKTA SKADOR, INKLUSIVE, BLAND ANNAT SKADESTÅND FÖR FÖRLORAD AFFÄRSVINST, VERKSAMHETSSTÖRNING, FÖRLUST AV DATA ELLER DOKUMENTATION, OAVSETT OM DETTA BASERAS PÅ AVTALSBRÖTT, ÅTALBAR HANDLING (INKLUSIVE FÖRSUMLIGHET), PRODUKTANSVAR ELLER ANNAT I SAMBAND MED ANVÄNDNINGEN AV PRODUKTEN, ÄVEN OM VÅRT FÖRETAG HAR MEDDELATS ATT RISKEN FÖR SÅDANA SKADOR ELLER FÖRLUSTER FÖRELIGGER.

DU BEKRÄFTAR ATT INTERNETS NATUR INNEBÄR INBYGGDA SÄKERHETSRISKER OCH VÅRT FÖRETAG TAR INGET ANSVAR FÖR ONORMAL ANVÄNDNING, INTEGRITETSLÄCKOR ELLER ANDRA SKADOR SOM ORSAKAS AV CYBERATTACKER, HACKERATTACKER, VIRUSINFEKTION ELLER ANDRA SÄKERHETSRISKER MED INTERNET. VÅRT FÖRETAG KOMMER DOCK ATT TILLHANDAHÅLLA LÄMPLIG TEKNISK SUPPORT OM SÅ KRÄVS.

DU ACCEPTERAR ATT ANVÄNDA PRODUKTEN I ENLIGHET MED ALLA TILLÄMPLIGA LAGAR OCH DU ÄR ENSAMT ANSVARIG FÖR ATT SÄKERSTÄLLA ATT DIN ANVÄNDNING EFTERLEVER TILLÄMPLIGA LAGAR. DU ÄR I SYNNERHET ANSVARIG FÖR ATT ANVÄNDA PRODUKTEN PÅ ETT SÅDANT SÄTT ATT DEN INTE INKRÄKTAR PÅ NÅGRA RÄTTIGHETER SOM ÄGS AV TREDJE PART, INKLUSIVE UTAN BEGRÄNSNING, RÄTTEN TILL PUBLICERING, IMMATERIELLA RÄTTIGHETER, SAMT DATASKYDD OCH ANDRA INTEGRITETS RÄTTIGHETER. DU FÅR INTE ANVÄNDA PRODUKTEN FÖR NÅGRA FÖRBJUDNA SLUTANVÄNDNINGAR, INKLUSIVE UTVECKLING ELLER PRODUKTION AV MASSFÖRSTÖRELSEVAPEN, UTVECKLING ELLER PRODUKTION AV KEMISKA ELLER BIOLOGISKA STRIDSMEDEL, ELLER NÅGRA AKTIVITETER SOM ÄR RELATERADE TILL NUKLEÄRA SPRÄNGMEDEL ELLER OSÄKRA NUKLEÄRA BRÄNSLECYKLER, ELLER SOM STÖD FÖR ÖVERGREPP AV MÄNSKLIGA RÄTTIGHETER.

I DE FALL INNEHÅLLET I BRUKSANVISNINGEN STÅR I KONFLIKT MED TILLÄMPLIGA LAGAR, GÄLLER DE SISTNÄMNDNA.

## Föreskrifter

### Deklaration om EU-överensstämmelse



Denna produkt och – i förekommande fall – de tillhandahållna tillbehören är märkta med "CE" och överensstämmer därför med de tillämpliga harmoniserade europeiska standarder som förtecknas under EMC-direktivet 2014/30/EU, RoHS-direktivet 2011/65/EU



2012/19/EU (WEEE-direktivet): Produkter märkta med denna symbol får inte kastas som osorterat hushållsavfall inom EU. För lämplig återvinning ska produkten återlämnas till din lokala återförsäljare vid inköp av motsvarande ny utrustning eller lämnas in på en särskild återvinningsstation. Mer information finns på: [www.recyclethis.info](http://www.recyclethis.info).



2006/66/EC (batteridirektivet): Produkten innehåller ett batteri som inte får avfallshanteras som osorterat hushållsavfall inom EU. Se produktdokumentationen för specifik information om batteriet. Batteriet är märkt med denna symbol som kan innehålla bokstäver för att indikera kadmium (Cd), bly (Pb) eller kvicksilver (Hg). Batteriet ska återlämnas till din återförsäljare eller lämnas in på en särskild återvinningsstation, för korrekt återvinning. Mer information finns på: [www.recyclethis.info](http://www.recyclethis.info).

## Säkerhetsanvisningar

Anvisningarna är avsedda att säkerställa att användaren kan använda produkten på korrekt sätt för att undvika fara eller förlust av egendom.

### Lagar och regler

- Produkten får endast användas i enlighet med lokala föreskrifter om elsäkerhet.

## Transport

- Förvara enheten i originalförpackningen eller en liknande förpackning vid transport.
- Behåll allt förpackningsmaterial efter uppackningen för framtida bruk. Vid eventuella fel måste du returnera enheten till fabriken med det ursprungliga emballagematerialet. Transport utan det ursprungliga emballagematerialet kan resultera i att enheten skadas och företaget påtar sig inget ansvar.
- Produkten får inte tappas eller utsättas för fysiska stötar. Håll enheten borta från magnetiska störningar.

## Strömförsörjning

- Inspänningen måste överensstämja med specifikationerna för en begränsad strömkälla (5 VDC, 940 mA ) i enlighet med standarden IEC61010-1. Se de tekniska specifikationerna för detaljerad information.
- Kontrollera att kontakten är korrekt ansluten till eluttaget.
- Flera enheter FÅR INTE anslutas till en och samma strömadapter, då detta kan medföra överhettning eller brandfara på grund av överbelastning.

## Batteri

- Det inbyggda batteriet går inte att demontera. Kontakta tillverkaren för reparation om så behövs.
- Den medföljande laddaren FÅR INTE användas för att ladda andra typer av batterier. Kontrollera att det inte finns något brännbart material inom 2 m från laddaren medan laddningen pågår.
- Vid långtidsförvaring av batteriet måste det laddas upp helt en gång i halvåret för att bevara batteriets kvalitet. Annars kan skador uppstå.
- Batteriet FÅR INTE placeras i närheten av en värmekälla eller öppen eld. Undvik direkt solljus.
- Batteriet FÅR INTE sväljas då detta kan orsaka kemiska brännskador.
- Batteriet SKA förvaras utom räckhåll för barn.
- När enheten stängs av och realtidsklockans batteri är fulladdat, bibehålls tidsinställningarna i 15 dagar.
- Slå på enheten och ladda realtidsklockans batteri med litiumbatteriet i mer än 10 timmar, vid den första användningen.
- Batteriets spänning är 3,6 V och batterikapaciteten är 6700 mAh.
- Batteriet är certifierat enligt UL2054.

## Underhåll

- Kontakta din återförsäljare eller närmaste servicecenter, om produkten inte fungerar korrekt. Vi åtar oss inget ansvar för problem som orsakats av obehörig reparation eller obehörigt underhåll.
- Några komponenter i enheten (t.ex. elektrolytkondensator) kräver regelbundet utbyte. Den genomsnittliga livslängden varierar, så regelbundna kontroller rekommenderas. Kontakta din återförsäljare för mer information.
- Rengör enheten försiktigt med en mjuk trasa och en liten mängd etanol, vid behov.
- Om utrustningen används på ett sätt som inte angetts av tillverkaren, kan det skydd som enheten ger försämrats.
- Vi rekommenderar att du skickar tillbaka enheten för kalibrering en gång om året, och kontaktar din lokala återförsäljare för information om underhållspunkter.
- Observera att strömbegränsningen för en USB 3.0 PowerShare-port kan variera beroende på PC:ns märke, vilket kan orsaka problem med inkompatibilitet. Det är därför rekommenderat att använda en vanlig USB 3.0 eller USB 2.0-port om USB-enheten inte känns igen av en PC med en USB 3.0 PowerShare-port.

## Användningsmiljö

- Enheten FÅR INTE utsättas för extremt varma, kalla, dammiga, frätande, salthaltiga-alkaliska eller fuktiga miljöer. Se till att driftmiljön motsvarar enhetens krav. Drifttemperaturen bör vara -20 °C till 50 °C, och luftfuktigheten mindre än 90 %.
- Enheten kan användas på ett säkert sätt i ett område som är lägre än 2000 meter över havet.
- Placera enheten i en torr miljö med god ventilation.

- Enheten FÅR INTE utsättas för miljöer med höga halter av elektromagnetisk strålning eller damm.
- Objektivet FÅR INTE riktas mot solen eller andra starka ljuskällor.
- Om någon laserutrustning används, måste du kontrollera att enhetens objektiv inte exponeras för laserstrålen, då detta kan medföra att objektivet bränns sönder.
- Enheten är lämplig för inom- och utomhusbruk, men får inte utsättas för våta miljöer.
- Skyddsklassificeringen är IP 54.
- Föroreningsgraden är 2.

## Nöd

- Slå omedelbart av strömmen, koppla ur strömkabeln och kontakta servicecentret, om det kommer rök, lukt eller oljud från enheten.

## Laser

Varning! Den laserstrålning som skickas ut från enheten kan orsaka ögonskador, brännskador på huden eller brand i lättantändliga ämnen. Skydda ögonen från direkt laserexponering. Se till att det inte finns några människor eller lättantändliga ämnen framför laserobjektivet innan du aktiverar Tilläggslyset. Våglängden är 650 nm, och effekten är under 1 Mw. Lasern uppfyller standarden IEC60825-1:2014.



Underhåll av laser: Lasern behöver inte underhållas regelbundet. Om lasern inte fungerar, måste den ersättas på fabriken under garantin. Se till att enheten är avstängd vid byte av laserenhet. Försiktighet-Användning av kontroller och/eller justeringar och prestanda som inte omnämns häri kan resultera i farlig exponering för strålning.

**FÖRSÄKRAN OM ÖVERENSSTÄMMELSE:** Produkter i den termiska serien kan vara föremål för exportkontroller i olika länder eller regioner, inklusive utan begränsning, USA, Europeiska unionen, Förenade kungariket och/eller andra länder som skrivit under Wassenaar-avtalet. Rådgör med en professionell juridisk konsult, en expert på regelefterlevnad eller lokala myndigheter avseende krav på exportlicenser om du avser att överföra, exportera eller omexportera produkter i termiska serien mellan olika länder.

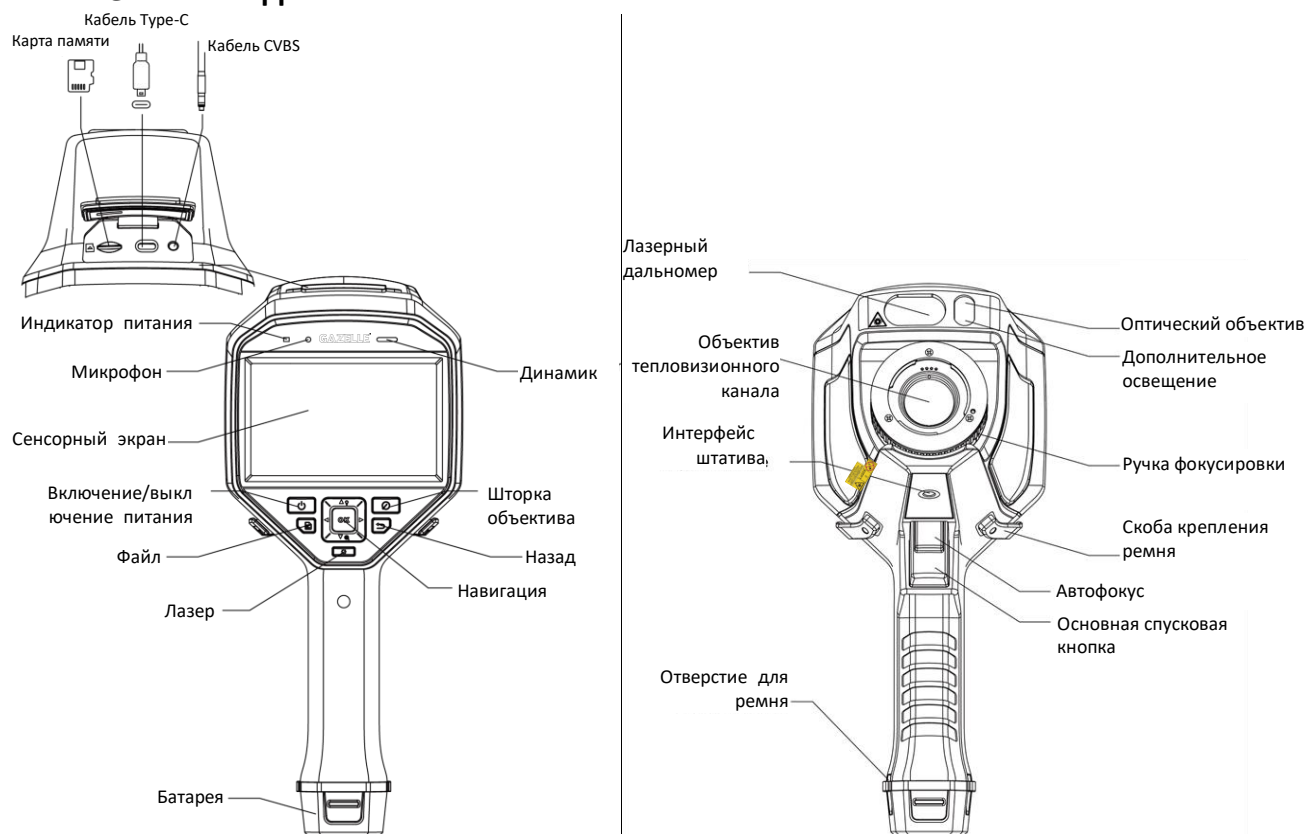
**Русский**

## 1. Краткое описание

Портативная термографическая камера обеспечивает оптическое и тепловизионное изображение. Она позволяет получать термографические изображения, измерять расстояние, записывать видео, делать фотоснимки, получать звуковое оповещение и т. д. Встроенный высокочувствительный инфракрасный детектор и высокоточный датчик определяют изменение температуры и измеряют температуру в реальном времени. Температура измеряется в диапазоне от -20 °C до 650 °C с точностью ± 2 °C или 2%. Она помогает обнаруживать нежелательные события в целях защиты собственности. Это устройство обеспечивает просмотр в реальном времени, съемку изображений и запись видео на телефоне.



## 2. Внешний вид



**Примечание:** Этот предупреждающий знак находится под лазерным модулем и с левой стороны устройства.

Компонент	Функционирование
Кнопки навигации	Режим меню: <ul style="list-style-type: none"> <li>● Для выбора параметров нажимайте <math>\nabla</math>, <math>\triangle</math>, <math>\triangleright</math> и <math>\triangleleft</math>.</li> <li>● Для подтверждения нажмите <b>OK</b>.</li> </ul>
	Режим без меню: <ul style="list-style-type: none"> <li>● Для включения или отключения дополнительного светодиодного освещения нажмите <math>\triangle</math>.</li> <li>● Для включения цифрового зума нажмите <math>\nabla</math>.</li> </ul>
Кнопка лазера	Для включения лазера нажмите и удерживайте эту кнопку, а для отключения лазера отпустите ее.
Кнопка шторки объектива	Закрывает объектив для выполнения коррекции.
Кнопка «Назад»	Для выхода из меню или возврата в предыдущее меню.
Ручка фокусировки	Для настройки фокусного расстояния объектива.
Спусковая кнопка	Для съемки изображения или сканирования QR-кода вытяните спусковую кнопку.
	Для записи видео удерживайте спусковую кнопку.

Компонент	Функционирование
Автофокус	Для включения или отключения функции автофокусировки вытяните спусковую кнопку.
Интерфейс для подключения кабеля	Для зарядки устройства или экспорта файлов с помощью предоставленного кабеля.

### 3. Зарядка устройства

После запуска устройства в экранном интерфейсе отображается состояние батареи. Если батарея разрядится, зарядите ее и убедитесь в исправности работы устройства.

При первой зарядке устройство после включения заряжается 10 часов.

#### Примечание:

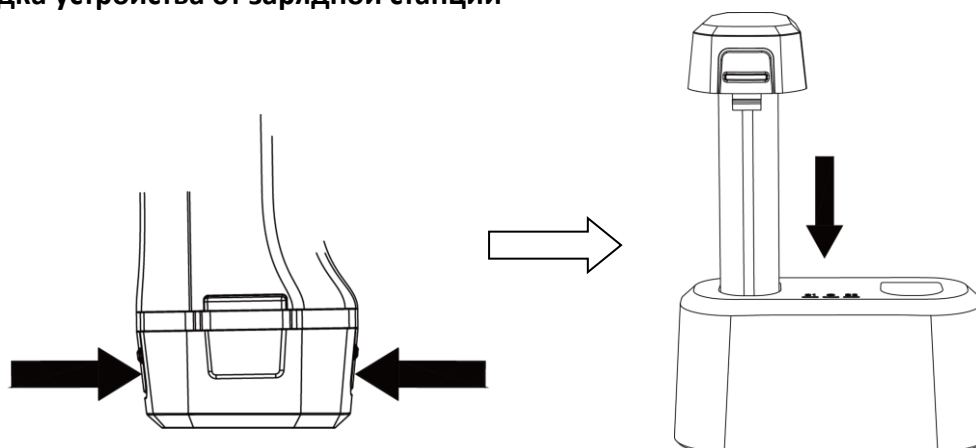
- Встроенная батарея, от которой питаются часы реального времени, при длительной транспортировке или хранении может разрядиться. Для исправной работы часов реального времени устройства рекомендуется подзарядить батарею.
- Для полной зарядки батареи часов реального времени необходимо соблюдение следующих требований:
  - а) В устройстве должны быть установлены перезаряжаемые литиевые батареи.
  - б) Устройство перед выключением должно поработать более 10 часов.

#### 3.1 Зарядка устройства через интерфейсный кабель

##### Порядок действий

1. Поднимите крышку интерфейса.
2. Подключите кабель и зарядите устройство.

#### 3.2 Зарядка устройства от зарядной станции



##### Порядок действий:

1. Удерживая устройство, прижмите оба фиксатора батареи.
2. Удерживая фиксаторы, извлеките батарею.
3. Вставьте батарею в зарядную станцию. За состоянием зарядки можно следить по контрольной лампе на зарядной станции.
4. После полной зарядки батареи извлеките ее из зарядной станции.
5. Вставьте батарею в устройство.

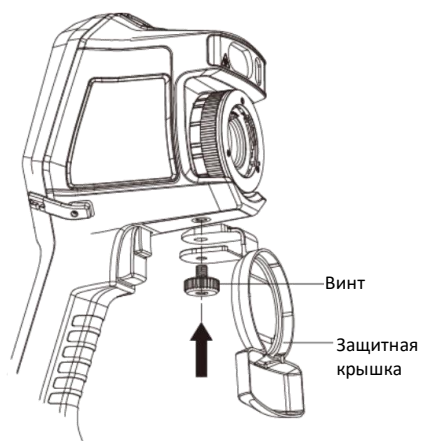
**Примечание:** Заряжайте устройство с помощью кабеля и адаптера питания, которые предоставил изготовитель (или в соответствии с входным напряжением, указанным в технических данных).

#### 4. Установка защитной крышки

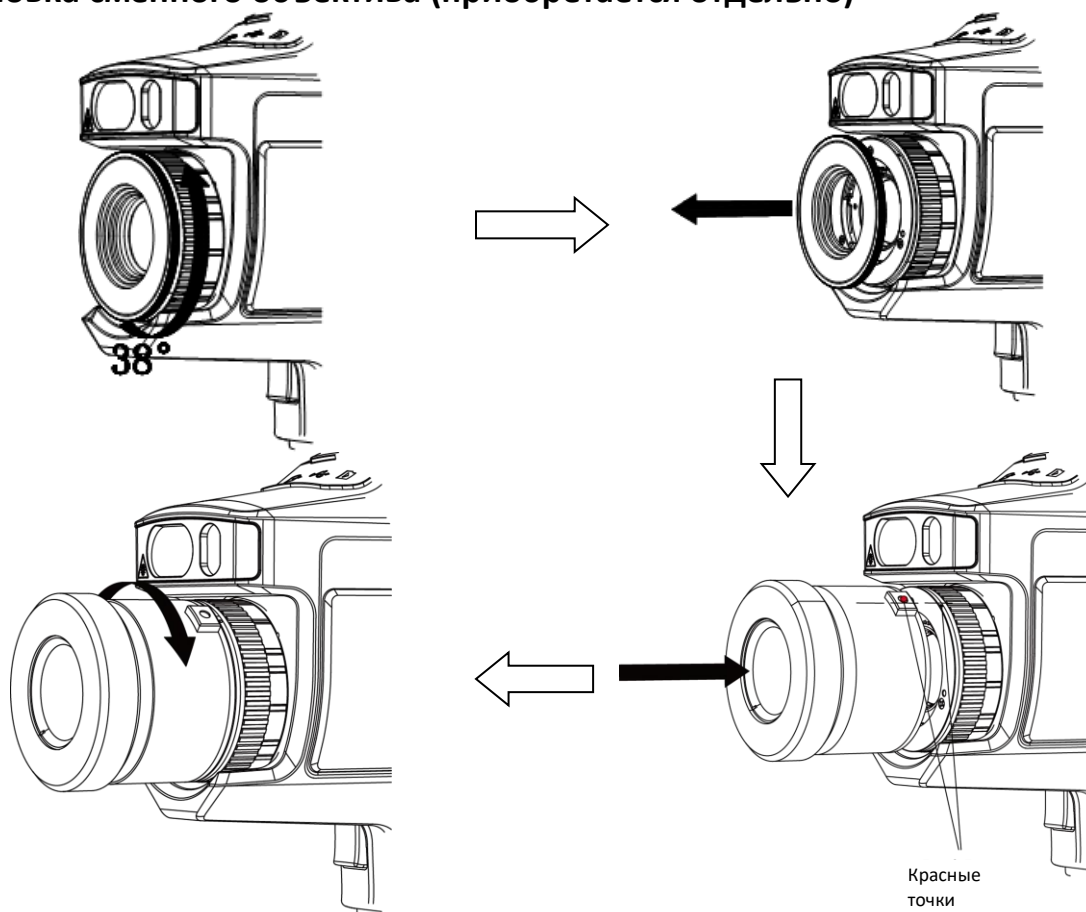
Когда устройство не используется, устанавливайте на него защитную крышку.

##### **Порядок действий**

1. Совместите резьбовое отверстие на устройстве с установочным отверстием крышки объектива.
2. Вставьте винт и поверните его по часовой стрелке, чтобы зафиксировать крышку объектива.



#### 5. Установка сменного объектива (приобретается отдельно)



##### **Порядок действий**

1. Поверните окантовочное кольцо против часовой стрелки на 38 градусов.
2. Снимите окантовочное кольцо.
3. Совместив две красные точки на сменном объективе и устройстве, поверните объектив по часовой стрелке для завершения установки.
4. Чтобы зафиксировать сменный объектив, поверните его по часовой стрелке.

## **Нормативно-правовая информация**

О данном Руководстве

В Руководстве содержатся инструкции по эксплуатации Изделия. Фотографии, схемы, иллюстрации и прочие материалы приведены исключительно в качестве описаний и пояснений. Информация, приведенная в Руководстве, может быть изменена без предварительного уведомления в связи с обновлением микропрограммы или по другим причинам. Используйте последнюю редакцию Руководства. Ее можно найти на веб-сайте компании.

Используйте Руководство под наблюдением специалистов, обученных обслуживанию Изделия.

### **Признание товарных знаков**

Торговые марки и логотипы, упоминаемые в Руководстве, являются собственностью соответствующих владельцев.

### **ЗАЯВЛЕНИЕ ОБ ОГРАНИЧЕНИИ ОТВЕТСТВЕННОСТИ**

В МАКСИМАЛЬНОЙ СТЕПЕНИ, РАЗРЕШЕННОЙ ДЕЙСТВУЮЩИМ ЗАКОНОДАТЕЛЬСТВОМ, ДАННОЕ РУКОВОДСТВО И ОПИСАНИЕ ИЗДЕЛИЯ ВМЕСТЕ С АППАРАТНОЙ ЧАСТЬЮ, ПРОГРАММНЫМ ОБЕСПЕЧЕНИЕМ И ВСТРОЕННОЙ МИКРОПРОГРАММОЙ ПРЕДОСТАВЛЯЕТСЯ ПО ПРИНЦИПУ «КАК ЕСТЬ» И «СО ВСЕМИ НЕПОЛАДКАМИ И ОШИБКАМИ». НАША КОМПАНИЯ НЕ ДАЕТ НИКАКИХ ЯВНЫХ ИЛИ ПОДРАЗУМЕВАЕМЫХ ГАРАНТИЙ, В ТОМ ЧИСЛЕ, БЕЗ ОГРАНИЧЕНИЙ, ГАРАНТИЙ ТОВАРНОЙ ПРИГОДНОСТИ, УДОВЛЕТВОРИТЕЛЬНОГО КАЧЕСТВА ИЛИ ПРИГОДНОСТИ ДЛЯ КОНКРЕТНЫХ ЦЕЛЕЙ. ПОТРЕБИТЕЛЬ ИСПОЛЬЗУЕТ ИЗДЕЛИЕ НА СВОЙ СТРАХ И РИСК. НИ ПРИ КАКИХ ОБСТОЯТЕЛЬСТВАХ НАША КОМПАНИЯ НЕ НЕСЕТ ОТВЕТСТВЕННОСТИ ПЕРЕД ПОТРЕБИТЕЛЕМ ЗА КАКОЙ-ЛИБО СЛУЧАЙНЫЙ ИЛИ КОСВЕННЫЙ УЩЕРБ, ВКЛЮЧАЯ, СРЕДИ ПРОЧЕГО, УБЫТКИ ИЗ-ЗА ПОТЕРИ ПРИБЫЛИ, ПЕРЕРЫВОВ В ДЕЯТЕЛЬНОСТИ, ПОТЕРИ ДАННЫХ ИЛИ ДОКУМЕНТАЦИИ, ПОВРЕЖДЕНИЯ СИСТЕМ, БУДЬ ТО ПО ПРИЧИНЕ НАРУШЕНИЯ ДОГОВОРА, ПРОТИВОПРАВНЫХ ДЕЙСТВИЙ (В ТОМ ЧИСЛЕ ХАЛАТНОСТИ), УЩЕРБА ВСЛЕДСТВИЕ ИСПОЛЬЗОВАНИЯ ИЗДЕЛИЯ ИЛИ ИНОГО В СВЯЗИ С ИСПОЛЬЗОВАНИЕМ ДАННОГО ИЗДЕЛИЯ, ДАЖЕ ЕСЛИ НАШЕЙ КОМПАНИИ БЫЛО ИЗВЕСТНО О ВОЗМОЖНОСТИ ТАКОГО УЩЕРБА.

ПОТРЕБИТЕЛЬ ОСОЗНАЕТ, ЧТО ИНТЕРНЕТ ПО СВОЕЙ ПРИРОДЕ ЯВЛЯЕТСЯ ИСТОЧНИКОМ ПОВЫШЕННОГО РИСКА БЕЗОПАСНОСТИ И НАША КОМПАНИЯ НЕ НЕСЕТ ОТВЕТСТВЕННОСТИ ЗА СБОИ В РАБОТЕ ОБОРУДОВАНИЯ, УТЕЧКУ ИНФОРМАЦИИ И ДРУГОЙ УЩЕРБ, ВЫЗВАННЫЙ КИБЕРАТАКАМИ, ХАКЕРАМИ, КОМПЬЮТЕРНЫМИ ВИРУСАМИ ИЛИ СЕТЕВЫМИ УГРОЗАМИ; ОДНАКО НАША КОМПАНИЯ ОБЕСПЕЧИВАЕТ СВОЕВРЕМЕННУЮ ТЕХНИЧЕСКУЮ ПОДДЕРЖКУ, ЕСЛИ ЭТО НЕОБХОДИМО.

ПОТРЕБИТЕЛЬ СОГЛАШАЕТСЯ ИСПОЛЬЗОВАТЬ ДАННОЕ ИЗДЕЛИЕ В СООТВЕТСТВИИ СО ВСЕМИ ПРИМЕНИМЫМИ ЗАКОНАМИ И НЕСЕТ ЛИЧНУЮ ОТВЕТСТВЕННОСТЬ ЗА ИХ СОБЛЮДЕНИЕ. В ЧАСТНОСТИ, ПОТРЕБИТЕЛЬ НЕСЕТ ОТВЕТСТВЕННОСТЬ ЗА ИСПОЛЬЗОВАНИЕ ДАННОГО ИЗДЕЛИЯ БЕЗ НАРУШЕНИЯ ПРАВ ТРЕТЬИХ ЛИЦ, В ТОМ ЧИСЛЕ ПРАВ ПУБЛИЧНОСТИ, ИНТЕЛЛЕКТУАЛЬНОЙ СОБСТВЕННОСТИ И ЗАЩИТЫ ДАННЫХ. ПОТРЕБИТЕЛЬ ОБЯЗУЕТСЯ НЕ ИСПОЛЬЗОВАТЬ ДАННОЕ ИЗДЕЛИЕ В ЗАПРЕЩЕННЫХ ЦЕЛЯХ, В ТОМ ЧИСЛЕ ДЛЯ РАЗРАБОТКИ И ПРОИЗВОДСТВА ОРУЖИЯ МАССОВОГО УНИЧТОЖЕНИЯ, ХИМИЧЕСКОГО И БИОЛОГИЧЕСКОГО ОРУЖИЯ, ОСУЩЕСТВЛЕНИЯ ДЕЯТЕЛЬНОСТИ, СВЯЗАННОЙ С ЯДЕРНЫМ ОРУЖИЕМ, НЕБЕЗОПАСНЫМИ ОПЕРАЦИЯМИ С ЯДЕРНЫМ ТОПЛИВОМ, А ТАКЖЕ ДЕЯТЕЛЬНОСТИ В ПОДДЕРЖКУ НАРУШЕНИЯ ПРАВ ЧЕЛОВЕКА.

В СЛУЧАЕ РАЗНОЧТЕНИЙ МЕЖДУ НАСТОЯЩИМ РУКОВОДСТВОМ И ДЕЙСТВУЮЩИМ ЗАКОНОДАТЕЛЬСТВОМ, ПОСЛЕДНЕЕ ИМЕЕТ ПРИОРИТЕТ.

## Нормативно-правовая информация

### Соответствие стандартам ЕС



Данный продукт и, если применимо, поставляемые аксессуары помечены значком «CE» и, следовательно, соответствуют действующим согласованным европейским стандартам, перечисленным в Директиве по электромагнитной совместимости EMC 2014/30/ЕС и Директиве ЕС по ограничению использования опасных веществ RoHS 2011/65/ЕС



ДИРЕКТИВА WEEE 2012/19/EU (по утилизации отходов электрического и электронного оборудования): продукты, отмеченные этим символом, запрещено утилизировать в Европейском союзе в качестве несортированных муниципальных отходов. Для надлежащей переработки возвратите этот продукт местному поставщику после покупки эквивалентного нового оборудования или утилизируйте его в предназначенных для этого пунктах сбора отходов. Для получения дополнительной информации посетите веб-сайт [www.recyclethis.info](http://www.recyclethis.info).



Директива 2006/66/EU (по обращению с батареями): этот продукт содержит батарею, которую запрещено утилизировать в Европейском союзе в качестве несортированных муниципальных отходов. Для получения точной информации о батарее см. документацию к продукту. Маркировка батареи может включать символы, которые определяют ее химический состав: кадмий (Cd), свинец (Pb) или ртуть (Hg). Для надлежащей утилизации отправьте батарею местному поставщику или утилизируйте ее в специальных пунктах приема отходов. Для получения дополнительной информации посетите веб-сайт [www.recyclethis.info](http://www.recyclethis.info).

### Инструкция по технике безопасности

Настоящие инструкции предназначены для того, чтобы пользователь мог правильно использовать устройство, чтобы избежать опасности или потери имущества.

#### Законодательные акты и нормативные документы

- Эксплуатация данного устройства должна выполняться в строгом соответствии с местными правилами безопасной эксплуатации электрооборудования.

#### Транспортировка

- Используйте оригинальную или схожую упаковку для транспортировки устройства.
- После распаковки сохраните упаковочные материалы для дальнейшего использования. В случае неисправности вам потребуется вернуть устройство на завод в оригинальной упаковке. Транспортировка без оригинальной упаковки может привести к повреждению устройства, и компания не будет нести за это ответственности.
- Не роняйте и не ударяйте устройство. Устройство необходимо размещать вдали от источников электромагнитных помех.

#### Электропитание

- Входное напряжение должно соответствовать ограниченному источнику питания (5 В постоянного тока, 940 мА) в соответствии со стандартом IEC61010-1. Подробная информация приведена в таблице технических данных.
- Убедитесь, что вилка правильно подключена к розетке электропитания.
- Во избежание перегрева или возгорания из-за перегрузки ЗАПРЕЩАЕТСЯ подключать несколько устройств к одному адаптеру питания.

## **Батарея**

- Встроенная батарея не извлекается. При необходимости ремонта обращайтесь к изготовителю.
- Не используйте поставляемое в комплекте зарядное устройство для зарядки батарей другого типа. Убедитесь, что во время зарядки в радиусе 2 метров вокруг зарядного устройства нет легковоспламеняющихся материалов.
- При длительном хранении батареи полностью заряжайте ее каждые полгода, чтобы обеспечить ее работоспособность. В противном случае батарея может выйти из строя.
- Не размещайте батарею рядом с источниками тепла или огня. Не допускайте воздействия прямого солнечного света.
- Не проглатывайте батарею во избежание химических ожогов.
- Не размещайте батарею в местах, где ее могут взять дети.
- Когда батарея часов реального времени полностью заряжена, настройки времени на выключенном устройстве хранятся 15 дней.
- При первом использовании устройства включите его и зарядите батарею часов реального времени вместе с литиевой батареей в течение более 10 часов.
- Напряжение батареи составляет 3,6 В, а ее емкость равна 6700 мА·ч.
- Батарея сертифицирована по стандарту UL2054.

## **Техническое обслуживание**

- Если устройство не будет работать должным образом, обратитесь к дилеру или к специалистам ближайшего сервисного центра. Компания-изготовитель не несет ответственности за неисправности, возникшие в результате несанкционированного ремонта или технического обслуживания.
- Некоторые компоненты устройства (например, электролитические конденсаторы) требуют регулярной замены. Средний срок службы этих компонентов может различаться, поэтому рекомендуется периодически их проверять. Подробности уточняйте у продавца.
- При необходимости осторожно протрите устройство чистой салфеткой, смоченной небольшим количеством этилового спирта.
- Если оборудование используется способом, не указанным производителем, обеспечиваемая устройством безопасность может быть нарушена.
- Рекомендуется ежегодно предоставлять устройство для калибровки. Информацию о пунктах технического обслуживания можно получить у местного дилера.
- Обратите внимание, что ограничение по току для порта USB 3.0 PowerShare может зависеть от марки компьютера и влиять на совместимость. Если USB-устройство при подключении к порту USB 3.0 PowerShare не будет распознаваться компьютером, рекомендуется подключать его к обычному порту USB 3.0 или USB 2.0.

## **Требования к рабочей среде**

- ЗАПРЕЩАЕТСЯ устанавливать устройство в условиях воздействия экстремально высоких или низких температур, пыли, коррозионных, солевых и щелочных веществ, а также во влажной среде. Убедитесь, что рабочая среда удовлетворяет требованиям надлежащей работы устройства. Рабочая температура должна находиться в диапазоне от -20 °С до 50 °С, а рабочая влажность должна составлять не более 90%.
- Безопасное использование устройства возможно только на высоте менее 2000 метров над уровнем моря.
- Храните устройство в сухом помещении с хорошей вентиляцией.
- ЗАПРЕЩАЕТСЯ устанавливать устройство в условиях воздействия сильного электромагнитного излучения или в пыльной среде.
- Не направляйте объектив устройства на солнце или другие яркие источники света.
- При использовании любого лазерного оборудования убедитесь, что в объектив устройства не попадает лазерный луч, иначе он может выгореть.

- Устройство предназначено для использования как в помещениях, так и на открытом воздухе, но при этом должно быть защищено от влаги.
- Класс защиты IP 54.
- Степень загрязнения 2.

#### Кнопка подачи экстренного сигнала тревоги

- Если устройство испускает дым, неприятный запах или шум, незамедлительно отключите электропитание, извлеките шнур питания и обратитесь в сервисный центр.

#### Лазер

Предупреждение: Лазерное излучение, испускаемое устройством, может вызвать травмы глаза, ожоги кожи или воспламенение веществ. Берегите глаза от прямого воздействия лазерного излучения. Перед включением функции дополнительной подсветки убедитесь, что перед лазерным объективом не находятся люди или легковоспламеняющиеся вещества. Длина волны равна 650 нм, а мощность лазерного излучения составляет 1 мВт. Лазерный модуль соответствует стандарту IEC60825-1:2014.



Обслуживание лазерного модуля: Регулярное обслуживание лазерного модуля не требуется. Если лазерный модуль не будет работать, его следует заменить по гарантии на заводе-изготовителе. Перед заменой лазерного модуля выключите питание устройства. Предостережение. При использовании органов управления или регулировок или выполнении процедур, не указанных в данном руководстве, можно подвергнуться воздействию опасного излучения.

**УВЕДОМЛЕНИЕ О СООТВЕТСТВИИ:** В различных странах и регионах, включая США, ЕС, Великобританию и/или другие страны, подписавшие Вассенарские соглашения, на тепловизионные устройства могут распространяться правила экспортного контроля. При необходимости транспортировки между странами, экспорта или реэкспорта тепловизионных устройств обратитесь к юристу, специалисту по соблюдению нормативно-правового соответствия или местным органам власти для получения информации о разрешении на экспорт.

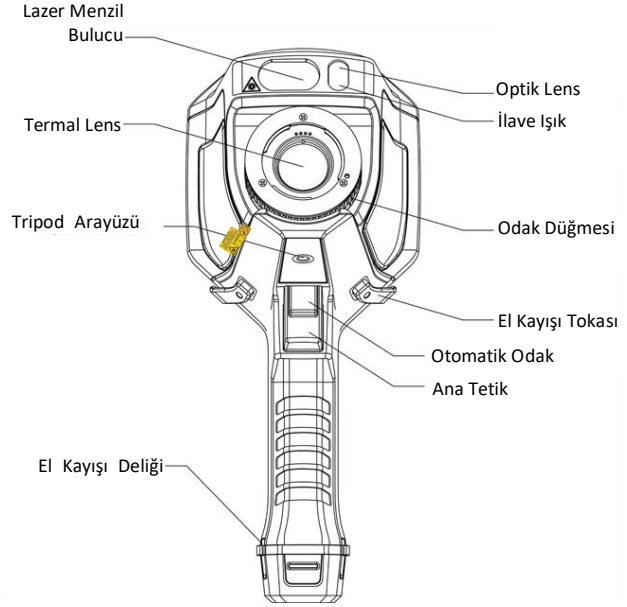
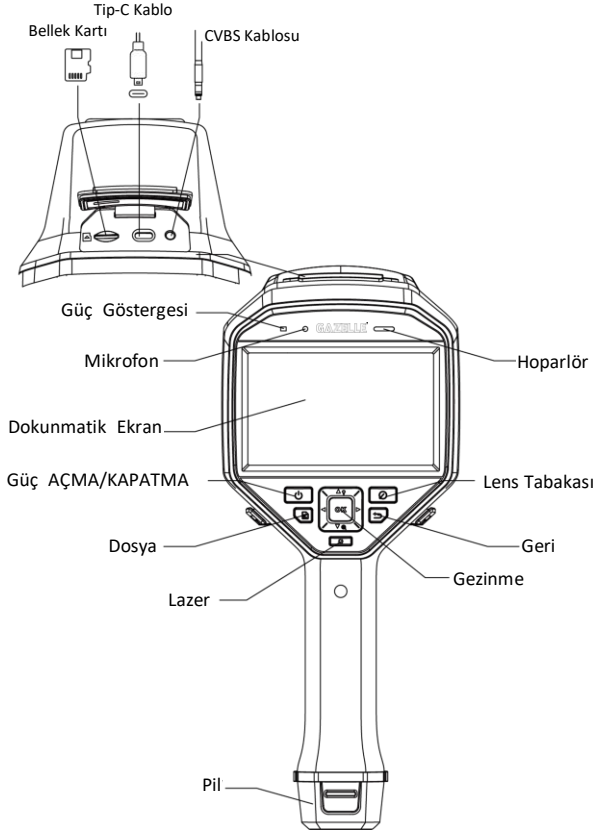
**Türkçe**

## 1. Kısa Açıklama

El Tipi Termografi Kamerası hem optik görüntülere hem de termal görüntülere sahip bir kameradır. Termografi, mesafe ölçümü, video kaydı, anlık görüntü yakalama, alarm vb. yapabilir. Bütünleşik yüksek hassasiyetli kızılötesi dedektör ve yüksek performanslı sensör, sıcaklık değişimini algılar ve gerçek zamanlı sıcaklığı ölçer. Sıcaklık ölçüm aralığı  $\pm 2^{\circ}\text{C}$  ( $\pm 3,6^{\circ}\text{F}$ ) veya %2 doğrulukla  $-20^{\circ}\text{C}$  ila  $650^{\circ}\text{C}$  ( $-4^{\circ}\text{F}$  ila  $1202^{\circ}\text{F}$ ) arasındadır. Kullanıcıların riskli kısmı bulmalarına ve mal kaybını azaltmalarına yardımcı olur.

Cihaz, telefonunuzda canlı görüntülemeyi, yakalamayı ve kaydetmeyi destekler.

## 2. Görünüm



**Not:** Uyarı işareti lazerin altında ve cihazın solundadır.

Bileşen	Fonksiyon
Gezinti Düğmesi	Menü Modu: <ul style="list-style-type: none"><li>● Parametreleri seçmek için ▽, △, ▷ ve ◁ simgelerine basın.</li><li>● Onaylamak için OK simgesine basın.</li></ul>
	Menü Dışı Modu: <ul style="list-style-type: none"><li>● İlave LED ışık açmak/kapatmak için △ simgesine basın.</li><li>● Dijital zımlamayı başlatmak için ▽ simgesine basın.</li></ul>
Lazer Düğmesi	Lazeri açmak için düğmeyi basılı tutun ve lazeri kapatmak için düğmeyi bırakın.
Lens Tabakası Düğmesi	Düzeltilmeyi gerçekleştirmek için lensi kapatın.
Geri Düğmesi	Menüden çıkın veya önceki menüye dönün.
Odak Düğmesi	Lens odak uzaklığını ayarlayın.
Tetik	QR kodunu yakalamak veya taramak için tetiği çekin. Videoları kaydetmek için tetiği basılı tutun.
Otomatik Odak	Otomatik odaklama işlevini açmak/ kapatmak için tetiği çekin.
Kablo Arayüzü	Cihazı şarj edin veya verilen kabloyla dosyaları dışa aktarın.

## 3. Cihazı Şarj Etme

Cihaz başladıktan sonra OSD (cihaz ekranı) pil durumunu gösterir. Pil azaldığında, cihazı şarj edin ve düzgün çalıştığından emin olun.



İlk şarjda, cihaz açıkken cihazı 10 saat şarj edin.

**Not:**

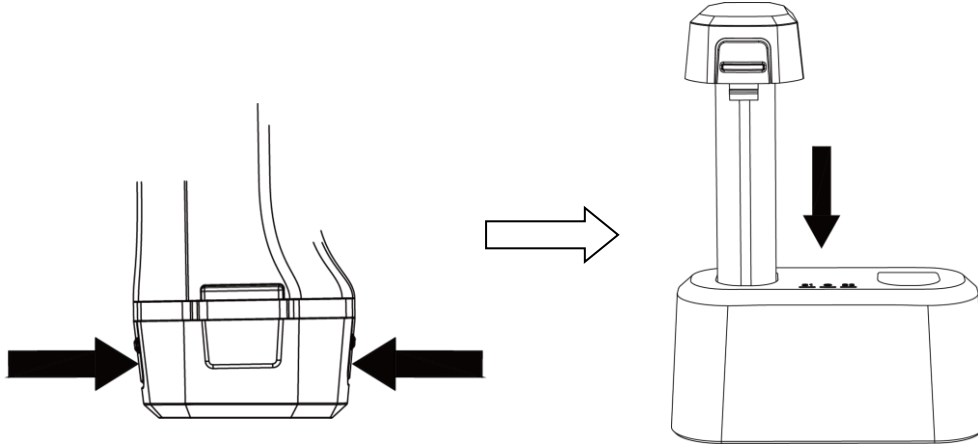
- Cihazın gerçek zamanlı saatine (RTC) güç sağlayan yerleşik pil, uzun süreli taşıma veya depolama sırasında boşalabilir. Cihaz saatinin iyi çalışması için RTC pilinin yeniden şarj edilmesi önerilir.
- RTC pilini tamamen şarj etmek için aşağıdaki gereksinimler karşılanmalıdır:
  - a) Şarj edilebilir lityum piller cihaza takılmalıdır.
  - b) Cihaz kapatılmadan önce 10 saatten fazla çalışmaya devam etmelidir.

### 3.1 Cihazı Kablo Arayüzü ile Şarj Etme

#### Adımlar

1. Arayüzün kapağını kaldırın.
2. Kabloyu takın ve cihazı şarj edin.

### 3.2 Cihazı Şarj Tabanı Üzerinden Şarj Etme



#### Adımlar:

1. Cihazı tutun ve cihazın her iki pil kilidi mandalına basın.
2. Kilit mandallarını tutun ve pili çıkarmak için pil tabanını çekin.
3. Pili şarj tabanına yerleştirin. Şarj durumunu, şarj tabanındaki pilot lamba aracılığıyla görebilirsiniz.
4. Pil tamamen şarj olduğunda, pili şarj tabanından çekin.
5. Pili cihaza takın.

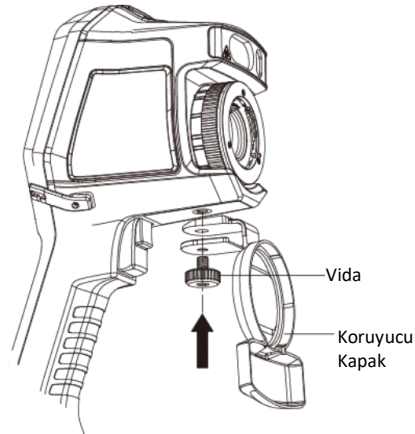
**Not:** Cihazı lütfen üretici tarafından sağlanan kablo ve güç adaptörü ile (veya teknik özelliklerdeki giriş voltajına göre) şarj edin.

## 4. Koruyucu Kapağı Takma

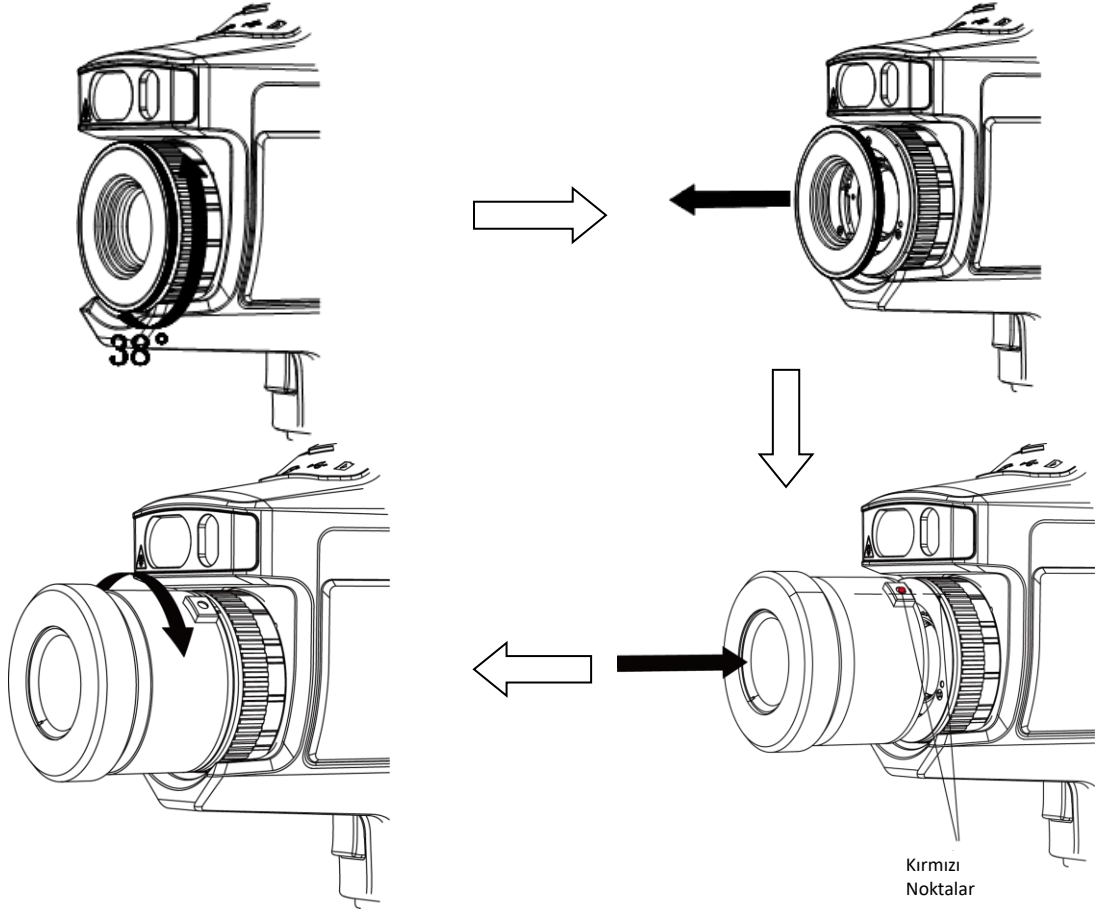
Cihaz kullanımda değilken koruyucu kapağı takın.

#### Adımlar

1. Cihazın dişli deliğini lens kapağının montaj deliği ile hizalayın.
2. Vidayı takın ve lens kapağını sabitlemek için saat yönünde çevirin.



## 5. Deęiştirilebilir Lensi Takma (İsteęe baęlı)



### Adımlar

1. Dekoratif halkayı saat yönünün tersine 38° çevirin.
2. Dekoratif halkayı çıkarın.
3. Deęiştirilebilir lens ve cihaz üzerindeki iki kırmızı noktayı hizalayın ve ardından montajı tamamlamak için deęiştirilebilir lensi saat yönünde çevirin.
4. Sabitlemek için deęiştirilebilir lensi saat yönünde çevirin.

### Yasal Bilgiler

Bu Kılavuz hakkında

Kılavuz, Ürünün kullanımı ve yönetimi ile ilgili talimatları içerir. Resimler, çizelgeler, görüntüler ve buradaki dięer tüm bilgiler, yalnızca tanımlama ve açıklama amaçlıdır. Kılavuzda bulunan bilgiler, yazılım güncellemeleri veya başka nedenlerden dolayı önceden haber verilmeksizin deęiştirilebilir. Bu Kılavuzun en son sürümünü şirketin web sitesinde bulabilirsiniz.

Lütfen bu Kılavuzu, Ürünü destekleme konusunda eğitilmiş profesyonellerin rehberlięi ve yardımı ile kullanın.

### Ticari Markalar Onayı

Bahsedilen ticari markalar ve logolar ilgili sahiplerinin mülkiyetindedir.

### YASAL UYARI

YÜRÜRLÜKTEKİ YASALARIN İZİN VERDİęİ AZAMI ÖLÇÜDE, BU KILAVUZ VE AÇIKLANAN ÜRÜN, DONANIMI, YAZILIMI VE ÜRÜN YAZILIMI İLE "OLDUęU GİBİ" VE "TÜM ARIZALAR VE HATALAR İLE " SAęLANIR. ŞİRKETİMİZ, TİCARETE ELVERİŞLİLİK, TATMİN EDİCİ KALİTE VEYA BELİRLİ BİR AMACA UYGUNLUK DA DAHİL ANCAK BUNLARLA SINIRLI OLMAMAK ÜZERE AÇIK VEYA ZİMNİ HİÇBİR GARANTİ VERMEZ. ÜRÜNÜN SİZİN TARAFINIZDAN KULLANIMI

KENDİ SORUMLULUĞUNUZDADIR. ŞİRKETİMİZ HİÇBİR DURUMDA, BU ÜRÜNÜN KULLANIMI İLE BAĞLANTILI OLARAK, ŞİRKETİMİZ TÜR HASARLARIN VEYA KAYIPLARIN OLASILIĞI HAKKINDA BİLGİLENDİRİLMİŞ OLSA BİLE, İSTER SÖZLEŞME İHLALİ, (İHMAL DÂHİL) HAKSIZ FİİL, ÜRÜN YÜKÜMLÜLÜĞÜ VEYA FARKLI BİR ŞEKİLDE ORTAYA ÇIKSIN DİĞER HUSUSLARIN YANINDA İŞ KÂRI KAYBI, İŞ KESİNTİSİ, VERİ KAYBI, SİSTEMİN BOZULMASI, BELGE KAYBI NEDENİYLE ORTAYA ÇIKAN HASARLAR DAHİL ÖZEL, SONUÇ OLARAK ORTAYA ÇIKAN, ARIZİ VEYA DOLAYLI ZARARLAR İÇİN SİZE KARŞI SORUMLU OLMAYACAKTIR.

İNTERNETİN YAPISI NEDENİYLE GÜVENLİK RİSKLERİ BARINDIRDIĞINI VE ŞİRKETİMİZİN SİBER SALDIRI, BİLGİSAYAR KORSANI SALDIRISI, VİRÜS BULAŞMASI VEYA BAŞKA BİR İNTERNET GÜVENLİK RİSKİNDEN KAYNAKLANAN ANORMAL ÇALIŞMA, GİZLİLİK SIZINTISI VEYA BAŞKA ZARARLAR İÇİN HİÇBİR SORUMLULUK ALMAYACAĞINI KABUL EDERSİNİZ. ANCAK ŞİRKETİMİZ GEREKİRSE ZAMANINDA TEKNİK DESTEK SAĞLAYACAKTIR.

BU ÜRÜNÜ GEÇERLİ TÜM YASALARA UYGUN OLARAK KULLANMAYI KABUL EDİYORSUNUZ VE KULLANIMINIZIN GEÇERLİ YASALARA UYGUN OLMASINI SAĞLAMAKTAN YALNIZCA SİZ SORUMLUSUNUZ. ÖZELLİKLE, BU ÜRÜNÜ, SINIRLAMA OLMASIZIN, TANITIM HAKLARI, FİKRİ MÜLKİYET HAKLARI VEYA VERİ KORUMA VE DİĞER GİZLİLİK HAKLARI DA DAHİL OLMAK ÜZERE ÜÇÜNCÜ TARAFLARIN HAKLARINI İHLAL ETMEYECEK ŞEKİLDE KULLANMAKTAN SİZ SORUMLUSUNUZ. BU ÜRÜNÜ, KİTLE İMHA SİLAHLARININ GELİŞTİRİLMESİ VEYA ÜRETİMİ, KİMYASAL VEYA BİYOLOJİK SİLAHLARIN GELİŞTİRİLMESİ VEYA ÜRETİMİ, HERHANGİ BİR NÜKLEER PATLAYICI VEYA GÜVENLİ OLMAYAN NÜKLEER YAKIT DÖNGÜSÜ İLE İLGİLİ HERHANGİ BİR FAALİYETTE VEYA İNSAN HAKLARI İHLALLERİNİ DESTEKLEMENİN DE DAHİL YASAKLANMIŞ SON KULLANIMLAR İÇİN KULLANAMAZSINIZ.

BU KILAVUZ İLE İLGİLİ YASA ARASINDA HERHANGİ BİR ÇELİŞKİ OLMASI DURUMUNDA, İKİNCİSİ GEÇERLİDİR.

## Mevzuat Bilgisi

### AB Uygunluk Beyanı



Bu ürün ve (varsa) birlikte verilen aksesuarlar "CE" işaretlidir ve bu nedenle EMC Direktifi 2014/30/EU, RoHS Direktifi 2011/65/EU altında listelenen geçerli uyumlaştırılmış Avrupa standartlarına uygundur.



2012/19 / EU (WEEE direktifi): Bu simgeyle işaretlenen ürünler, Avrupa Birliği'nde ayrıştırılmamış belediye atığı olarak yok edilemez. Doğru geri dönüşüm için, eşdeğer yeni ekipman satın aldıktan sonra bu ürünü yerel tedarikçinize iade edin veya belirtilen toplama noktalarında imha edin. Daha fazla bilgi için bkz: [www.recyclethis.info](http://www.recyclethis.info).



2006/66/EC (pil direktifi): Bu ürün, Avrupa Birliği'nde ayrıştırılmamış belediye atığı olarak imha edilemeyen bir pil içerir. Özel pil bilgileri için ürün belgelerine bakın. Pil, kadmiyum (Cd), kurşun (Pb) veya cıva (Hg) içerebildiğini belirtmek bu simgeyle işaretlenmiştir. Doğru geri dönüşüm için pili tedarikçinize veya belirlenmiş bir toplama noktasına iade edin. Daha fazla bilgi için bkz: [www.recyclethis.info](http://www.recyclethis.info).

## Güvenlik Talimatı

Bu talimatlar ile tehlikeleri veya mal kayıplarını önlemek için kullanıcının ürünü doğru şekilde kullanabilmesinin sağlanması amaçlanmıştır.

### Yasalar ve Yönetmelikler

- Ürünün kullanımı yerel elektrik güvenliği yönetmeliklerine tam olarak uygun olmalıdır.

### Ulaşım

- Cihazı taşıırken orijinal paketinin veya benzer bir paketin içerisine koyun.
- Paketinden çıkardıktan sonra tüm paketleri ileride kullanmak üzere saklayın. Herhangi bir arıza meydana gelmesi halinde cihazı orijinal sargısıyla birlikte fabrikaya iade etmeniz gerekir. Orijinal ambalajı olmadan taşımak cihaza zarar verebilir bu durumda şirket hiçbir sorumluluk kabul etmeyecektir.

- Ürünü düşürmeyin veya fiziksel darbeye maruz bırakmayın. Cihazı manyetik parazitten uzak tutun.

### **Güç Kaynağı**

- Giriş voltajı, IEC61010-1 standardına göre Sınırlı Güç Kaynağını (5 VDC, 940 mA ) karşılamalıdır. Ayrıntılı bilgi için lütfen teknik özelliklere bakın.
- Fişin elektrik prizine doğru şekilde takıldığından emin olun.
- Aşırı yükten kaynaklı aşırı ısınmayı veya yangın tehlikelerini önlemek için bir güç kaynağına birden fazla cihaz TAKMAYIN.

### **Pil**

- Dahili pil sökülemez. Gerekirse onarım için lütfen üreticiyle iletişime geçin.
- Verilen şarj cihazıyla diğer pil türlerini şarj etmeyin. Şarj sırasında şarj cihazının 2 m yakınında yanıcı malzeme bulunmadığını doğrulayın.
- Pil uzun süre kullanılmadan saklanacaksa pilin kalitesini korumak için her altı ayda bir tam olarak şarj edilmesini sağlayın. Aksi takdirde hasar meydana gelebilir.
- Pili ısıtma veya ateş kaynağının yakınına YERLEŞTİRMEYİN. Doğrudan güneş ışığından kaçının.
- Kimyasal yanıklardan kaçınmak için pili YUTMAYIN.
- Pili çocukların ulaşabileceği bir yere YERLEŞTİRMEYİN.
- Cihaz kapalıyken ve RTC pili dolu iken zaman ayarları 15 gün boyunca saklanabilir.
- İlk kullanımda cihazı açın ve RTC pilini lityum pil ile 10 saatten fazla şarj edin.
- Pil voltajı 3,6 V ve pil kapasitesi 6700 mAh'dir.
- Pil UL2054 sertifikalıdır.

### **Bakım**

- Ürün düzgün şekilde çalışmıyorsa lütfen bayinizle veya en yakın servis merkeziyle iletişime geçin. Yetkisiz onarım veya bakımdan kaynaklanan sorunlar için herhangi bir sorumluluk kabul etmeyiz.
- Cihazın birkaç bileşeni (ör. elektrolitik kapasitör) düzenli olarak değiştirilmelidir. Ortalama parça ömrü değişiklik göstermektedir bu nedenle periyodik kontrol önerilmektedir. Ayrıntılar için satıcınızla iletişime geçin.
- Cihazı temiz bir bez ve gerekirse az miktarda etanol ile hafifçe silin.
- Ekipman, üretici tarafından belirtilmeyen bir şekilde kullanılırsa cihaz tarafından sağlanan koruma bozulabilir.
- Cihazı yılda bir kez kalibrasyon için geri göndermenizi öneririz. Bakım noktaları hakkında bilgi için lütfen yerel bayi ile iletişime geçin.
- USB 3.0 PowerShare bağlantı noktasının mevcut sınırının bilgisayar markasına göre değişebileceğini ve bunun uyumsuzluk sorununa yol açabileceğini lütfen unutmayın. Bu nedenle, USB aygıtı bilgisayar tarafından USB 3.0 PowerShare bağlantı noktası aracılığıyla algılanmazsa normal USB 3.0 veya USB 2.0 bağlantı noktası kullanılması önerilir.

### **Kullanma Ortamı**

- Cihazı aşırı sıcak, soğuk, tozlu, aşındırıcı, tuzlu-alkali veya rutubetli ortamlara maruz bırakmayın. Çalışma ortamının cihazın gereksinimlerini karşıladığından emin olun. Çalışma sıcaklığı -20°C ila 50°C (-4°F ila 122°F) ve çalışma nemi % 90 veya daha az olmalıdır.
- Bu cihaz yalnızca deniz seviyesinden 2000 metre yüksekliğin altındaki bölgede güvenle kullanılabilir.
- Cihazı, kuru ve iyi havalandırılan bir ortama yerleştirin.
- Cihazı yüksek elektromanyetik radyasyona sahip veya tozlu ortamlarda BULUNDURMAYIN.
- Lensi, güneşe veya herhangi bir parlak ışığa doğru TUTMAYIN.
- Herhangi bir lazer ekipmanı kullanılırken cihaz merceğinin, lazer ışınına maruz kalmadığından emin olun aksi takdirde yanabilir.
- Cihaz iç ve dış mekanlarda kullanıma uygundur ancak ıslak koşullara maruz bırakmayın.
- Koruma seviyesi IP 54'tür.
- Kirlilik derecesi 2'dir.

## Acil Durum

- Cihazdan duman, koku veya ses geliyorsa hemen gücü kapatarak güç kablosunun bağlantısını kesin ve servis merkeziyle iletişime geçin.

## Lazer

Uyarı: Cihazdan yayılan lazer radyasyonu göz yaralanmalarına, cildin yanmasına veya yanıcı maddelerin tutuşmasına yol açabilir. Gözleri doğrudan lazerden koruyun. Işık Desteği işlevini etkinleştirmeden önce, lazer lensinin önünde hiçbir insanın veya yanıcı maddenin bulunmadığından emin olun. Dalga boyu 650 nm'dir ve güç 1 Mw'dan azdır. Lazer, IEC60825-1:2014 standardını karşılar.



Lazer bakımı: Lazerin düzenli olarak bakımının yapılması gerekli değildir. Lazer çalışmıyorsa lazer aksamının garanti kapsamında fabrikada değiştirilmesi gerekir. Lazer aksamını değiştirirken cihazı kapalı tutun. Dikkat-Burada belirtilenler dışındaki denetimlerin veya ayarlamaların veya prosedürlerin uygulanması tehlikeli radyasyona maruz kalmaya neden olabilir.

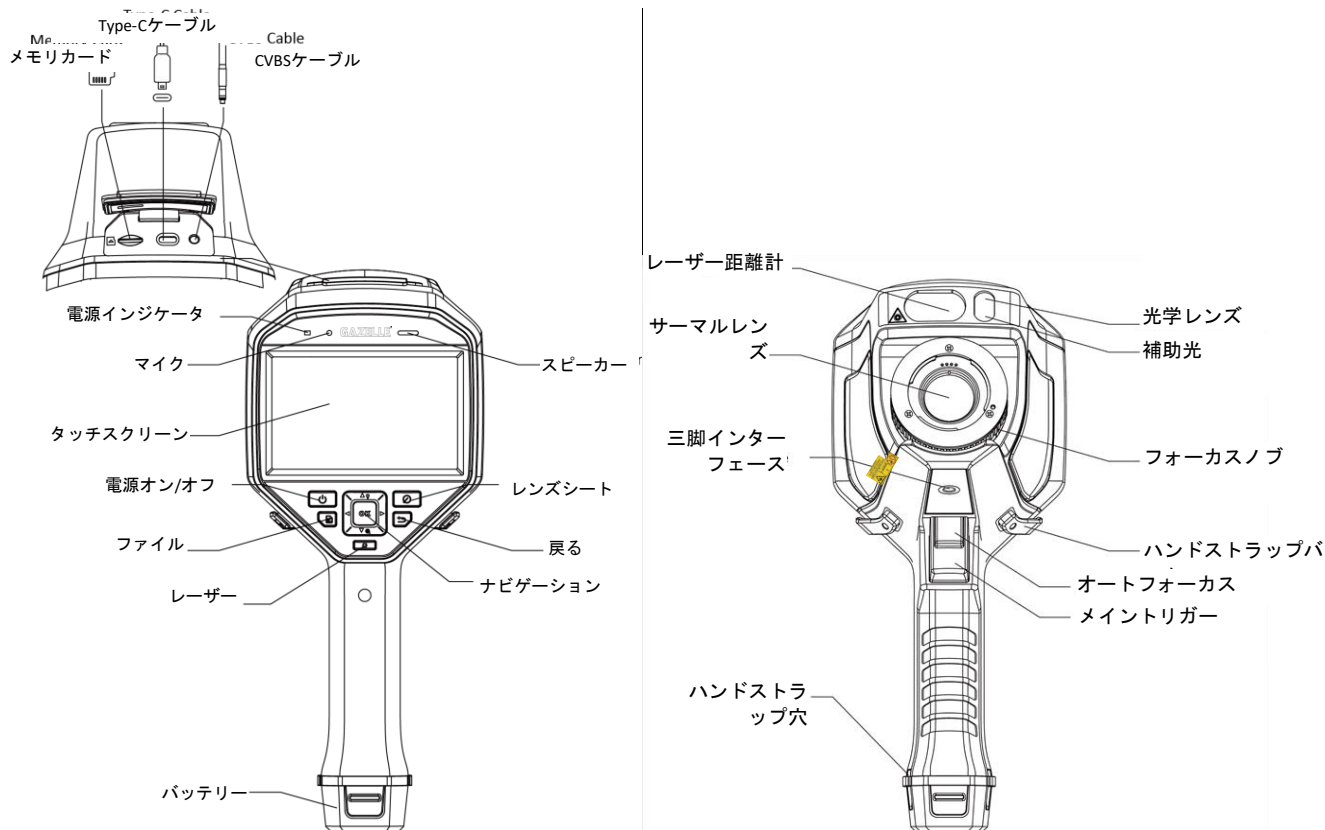
UYGUNLUK BİLDİRİMİ: Termal serisi ürünler, sınırlama olmaksızın Amerika Birleşik Devletleri, Avrupa Birliği, Birleşik Krallık ve / veya Wassenaar Düzenlemesinin diğer üye ülkeleri dahil olmak üzere çeşitli ülke veya bölgelerde ihracat kontrollerine tabi olabilir. Termal serisi ürünleri farklı ülkeler arasında transfer etmeyi, ihraç etmeyi veya yeniden ihraç etmeyi düşünüyorsanız, lütfen gerekli ihracat lisansı gereklilikleri için profesyonel hukuk veya uyum uzmanınıza veya yerel hükümet yetkililerine danışın.

## 日本語

### 1. 概要

ハンドヘルドサーモグラフィカメラは、光学画像とサーマル画像の両方に対応するカメラです。サーモグラフィ、距離測定、ビデオ録画、スナップショットキャプチャー、アラームなどの機能を備えています。内蔵高感度IR検出器と高性能センサーが温度変化を検出し、温度をリアルタイムに測定します。温度測定範囲は-20°Cから650°C（-4°Fから1202°F）で、精度は±2°C（±3.6°F）または2%です。ユーザーが危険な部分を見つけ、資産の損失などを防ぐのに役立ちます。このデバイスは、スマートフォンでのライブビュー表示、キャプチャー、および録画をサポートしています。

## 2. 外観



**注意：**警告サインは、レーザーの下とデバイスの左側にあります。

コンポーネント	機能
ナビゲーションボタン	メニューモード： ● ▽、△、▷および◀を押して、パラメーターを選択します。 OKを押して確定します。
	メニューモード以外； ● △を押すと、LED補助光のオン/オフが切り替わります。 ● ▽を押すと、デジタルズームを開始します。
レーザーボタン	ボタンを長押しするとレーザーがオンになり、ボタンを離すとレーザーがオフになります。
レンズシートボタン	レンズをカバーし、補正を行います。
バックボタン	メニューを終了するか、前のメニューに戻ります。
フォーカスノブ	レンズの焦点距離を調整します。
トリガー	トリガーを引くと、QRコードをキャプチャーまたはスキャンします。 トリガーを押し込んだままにすると、ビデオを録画します。
オートフォーカス	トリガーを引くと、オートフォーカス機能のオン/オフが切り替わります。
ケーブルインターフェース	デバイスを充電したり、付属のケーブルでファイルをエクスポートできます。

### 3. デバイスの充電

デバイスの起動後、OSD（オンスクリーンディスプレイ）にバッテリーの状態が表示されます。バッテリー残量が少なくなったら、デバイスが正しく動作するように、デバイスを充電してください。最初の充電では、デバイスの電源がオンになった状態でデバイスを10時間充電してください。

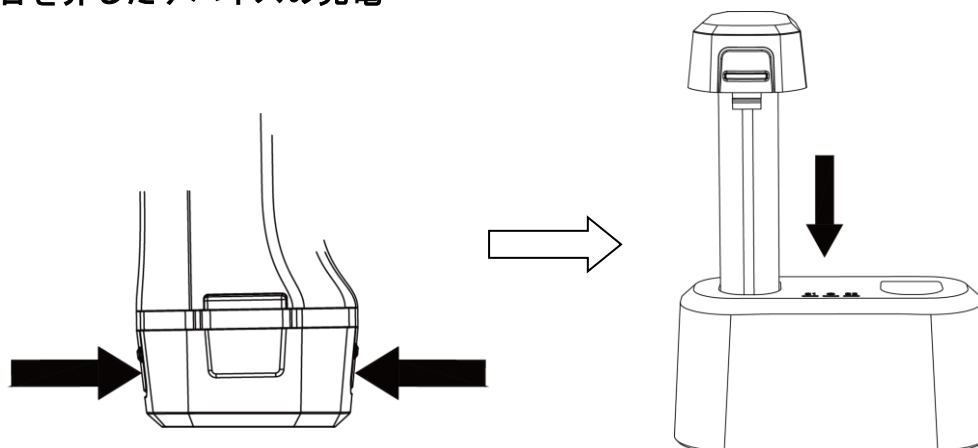
#### 注意：

- デバイスのリアルタイムクロック（RTC）に電力を供給する内蔵セルバッテリーは、長期間にわたる輸送または保管中に消耗する可能性があります。デバイスのクロックが正常に機能するように、RTCバッテリーは再充電することをお勧めします。
- RTCバッテリーを完全に充電するには、以下の条件を満たす必要があります。
  - a) 充電式リチウムバッテリーをデバイスに取り付けてください。
  - b) デバイスをシャットダウンせず、10時間以上継続的に動作させてください。

#### 3.1 ケーブルインターフェースを介したデバイスの充電 ステップ

1. インターフェイスのカバーを持ち上げます。
2. ケーブルを差し込み、デバイスを充電します。

#### 3.2 充電台を介したデバイスの充電



#### 手順：

1. デバイスを保持し、デバイスのバッテリーロックキャッチを両方押し込みます。
2. ロックキャッチを押し込んだまま、バッテリーベースを引いてバッテリーを取り出します。
3. バッテリーを挿入し、バッテリーカバーを再度取り付けます。充電台のパイロットランプで充電状態を確認できます。
4. バッテリーが完全に充電されたら、充電台からバッテリーを取り外します。
5. バッテリーをデバイスに挿入します。

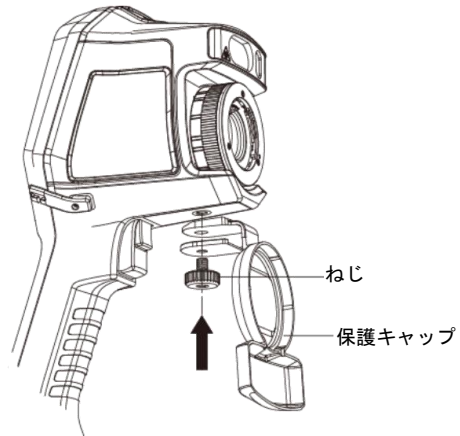
**注意：**メーカーが提供するケーブルと電源アダプタを使用して（または仕様に定められた入力電圧に従って）デバイスを充電してください。

### 4. 保護カバーの取り付け

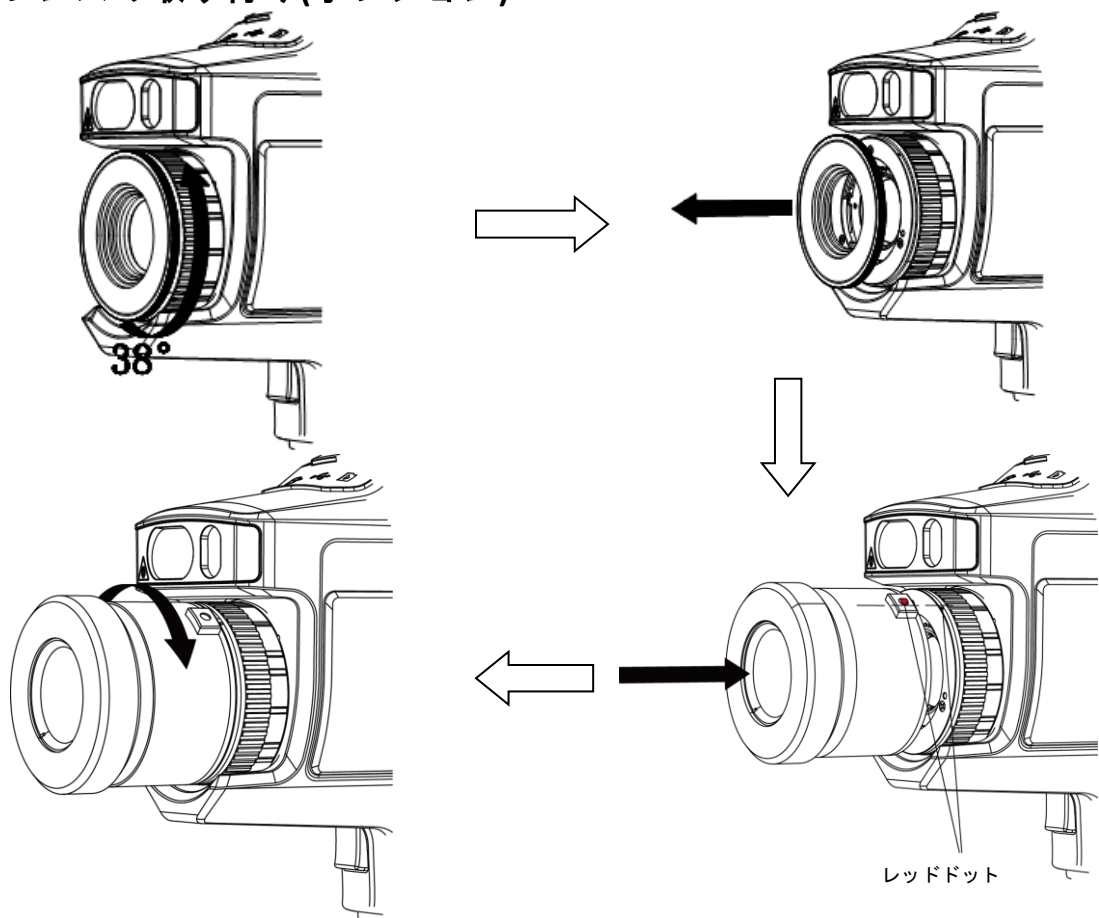
デバイスを使用しないときは、保護カバーを取り付けてください。

#### ステップ

1. デバイスのネジ穴をレンズカバーの取り付け穴に合わせます。
2. ネジを挿入し、時計回りに回してレンズカバーを固定します。



### 5. 交換レンズの取り付け(オプション)



#### ステップ

1. 装飾リングを反時計回りに38°回します。
2. 装飾リングを取り外します。
3. 交換レンズとデバイス上の2つの赤い点を合わせ、交換レンズを時計回りに回転させれば取り付け完了です。
4. 交換レンズを時計回りに回して固定します。



## 法的情報

本マニュアルについて

本マニュアルには製品の使用および管理についての指示が含まれています。ここに記載されている写真、表、画像およびその他すべての情報は説明のみを目的としています。本マニュアルに含まれる情報は、ファームウェア更新やその他の理由で通知なく変更されることがあります。当社ウェブサイトでの最新版を参照してください。

本マニュアルは、本製品をサポートする訓練を受けた専門家の指導・支援を受けた上でご使用ください。

## 商標に関する確認

所収の商標およびロゴは、各権利保有者の所有物です。

## 法的免責事項

適用法で認められる最大限の範囲で、本マニュアルおよび説明されている製品（ハードウェア、ソフトウェア、および本製品を含む）は、「現状のまま」および「すべての欠陥とエラーがある」状態で提供されます。当社は、明示あるいは黙示を問わず、商品性、満足な品質、または特定目的に対する適合性などを一切保証しません。本製品は、お客様の自己責任においてご利用ください。契約違反、不法行為（過失を含む）、製品保証などに基づくか否かに関わらず、本製品の使用に関連して、当社がかかる損害や損失の可能性について事前に通知されていた場合にも、事業利益の損失、事業の中断、またはデータの喪失、システム破損、または文書の喪失を始めとするいかなる特別損害、付随的損害、結果的損害、または間接的損害についても、当社は一切責任を負いません。

お客様は、インターネットにはその性質上固有のセキュリティリスクがあることを了解し、異常動作、プライバシーの流出、またはサイバー攻撃、ハッカー攻撃、ウィルス感染、またはその他のインターネットセキュリティリスクによる損害について、当社は一切責任を負いません。ただし、必要に応じて当社は適時技術的サポートを提供します。

お客様には、すべての適用法に従って本製品を利用し、さらにご自分の利用法が適用法を順守していることを確認する責任があります。特に、肖像権、知的財産権、またはデータ保護等のプライバシー権を非限定的に含むサードパーティの権利を侵害しない手段で本製品を利用する責任があります。大量破壊兵器の開発や生産、化学兵器・生物兵器の開発や生産、核爆発物や危険な核燃料サイクル、または人権侵害に資する活動を含む、禁じられている最終用途の目的で本製品を使用してはなりません。

本マニュアルと適用法における矛盾がある場合については、後者が優先されます。

## 規制情報

### EU 適合宣言



本製品および -該当する場合- 付属品は、“CE” のマークが付いており、EMC 指令 2014/30/EU、RoHS 指令 2011/65/EU の下に記載されている該当欧州統一規格に準拠しています



2012/19/EU (WEEE 指令): この記号が付いている製品は、欧州連合 (EU) の地方自治体の未分別廃棄物として処分できません。適切にリサイクルするために、本製品は同等の新しい装置を購入する際に、お近くの販売業者に返却いただくか、指定された収集場所で処分してください。より詳細な情報については以下をご確認ください。

[www.recyclethis.info](http://www.recyclethis.info)



2006/66/EC (バッテリー指令): 本製品には、欧州連合 (EU) の地方自治体の未分別廃棄物として処分できないバッテリーが含まれています。特殊バッテリー情報に関する製品資料をご覧ください。バッテリーにはこの記号が付いており、カドミウム (Cd)、鉛 (Pb)、水銀 (Hg) を示す文字も記載されています。適切にリサイクルするために、販売

業者か、指定された収集場所にご返却ください。より詳細な情報については以下をご確認ください。www.recyclethis.info

## 安全上の指示

これらの指示は、ユーザーが製品を正しく使用し、危険や財産損失を回避できるように保証することを目的としています。

### 法規と規則

- 製品の使用にあたって、お住まいの地域の電気安全性に関する法令を厳密に遵守する必要があります。

### 輸送

- デバイスを輸送する際は元々の梱包、またはそれに類する梱包を行ってください。
- 開梱後は、後日使用できるように、梱包材を保存しておいてください。不具合が発生した場合、元の梱包材を使用して工場に機器を返送する必要があります。元の梱包材を使用せずに返送した場合、破損が発生する恐れがありますが、その際に、当社は一切責任を負いません。
- 製品を落下させたり、物理的な衝撃を与えないでください。本器を電磁妨害から遠ざけてください。

### 電源

- 入力電圧は、IEC61010-1規格の限定電源（DC5V、940mA）を満たす必要があります。詳細情報に関しては技術仕様を参照してください。
- プラグが適切に電源ソケットに接続されていることを確認してください。
- 過負荷による加熱や火災を防ぐために、複数のデバイスを一つの電源アダプタに接続しないでください。

### バッテリー

- 内蔵バッテリーは取り外しできません。修理については必要に応じてメーカーにお問い合わせください。
- 付属の充電器で種類が異なるバッテリーを充電しないでください。充電中は、充電器の2m以内に可燃物がないことをご確認ください。
- バッテリーを長期保存する場合は、半年に一度はフル充電して、バッテリーの品質を保つようにしてください。これを怠った場合、破損の原因となります。
- 暖房器具や火気の近くにバッテリーを置かないでください。直射日光を避けてください。
- 化学熱傷の恐れがありますので、絶対にバッテリーを飲み込まないでください。
- お子様の手の届くところにバッテリーを置かないでください。
- デバイスの電源がオフで、RTCバッテリーが満充電されている状態では、時間設定は15日間保持できます。
- 初回使用時は、デバイスの電源を入れた状態で、リチウムバッテリーからRTCバッテリーを10時間以上充電してください。
- バッテリー電圧は3.6V、バッテリー容量は6700mAhです。
- バッテリーはUL2054によって認定されています。

### メンテナンス

- 製品が正しく動作しない場合、販売店または最寄りのサービスセンターに連絡してください。承認されていない修理や保守行為による問題について、当社はいかなる責任も負いません。
- デバイスの部品の一部(例: 電気キャパシタ)は定期的な交換が必要です。製品の平均寿命は変動するため、定期的な点検をお勧めします。詳細については、販売店にお問い合わせください。
- 必要に応じて、エタノールを少量含ませたきれいな布でデバイスを優しく拭いてください。
- メーカーが指定していない方法で使用した場合、デバイスが提供する保護機能が損なわれる恐れがあ

ります。

- 年に一度、キャリブレーションのためにデバイスを返送することをお勧めします。メンテナンス拠点については、最寄りの販売店にお問い合わせください。
- USB 3.0 PowerShareポートの電流の制限は、PCブランドによって異なる場合があります、非互換性の問題が発生する可能性があることに注意してください。したがって、USBデバイスがPCのUSB 3.0 PowerShareポート上で認識されない場合は、通常のUSB3.0またはUSB2.0ポートを使用することをお勧めします。

## 使用環境

- デバイスを、極端な高温や低温、埃の多い環境、腐食性環境、塩類アルカリ性環境、湿気の高い環境にさらさないでください。実行環境がデバイスの要件を満たしていることを確認します。動作温度は-20°C~50°C (-4°F~122°F)で、動作湿度は90%以下です。
- デバイスは、海拔2,000メートル以下の地域でのみ安全に使用することができます。
- デバイスは、乾燥した、換気の良い環境に配置してください。
- デバイスを強い電磁波や埃の多い環境にさらさないでください。
- レンズを太陽や極端に明るい場所に向けしないでください。
- レーザー装置が利用されている場合、デバイスのレンズがレーザー光線に晒されないようにしてください。焼き付きが発生することがあります。
- このデバイスは屋内および屋外での使用に適していますが、濡らさないようにご利用ください。
- 防水レベルはIP54です。
- 汚染度は2です。

## 緊急

- デバイスから煙、異臭、騒音が発生した場合、すぐに電源を切り、電源ケーブルを抜いて、サービスセンターにご連絡ください。

## レーザー

警告：デバイスから放射されるレーザー光は、目の怪我や皮膚の焼損、発火性物質の原因となることがあります。レーザーを目に直接当てないでください。補光機能を有効にする前に、レーザーレンズの前に人や可燃性物質がないことを確認してください。波長は650nmで、出力は1Mw未満です。レーザーはIEC60825-1：2014規格に適合しています。



レーザーのメンテナンス：レーザーを定期的にメンテナンスする必要はありません。レーザーが機能しない場合は、保証期間中にレーザーアセンブリを工場と交換する必要があります。レーザーアセンブリを交換する際は、デバイスの電源をオフにしてください。注意 - ここで指定されている以外の制御、調整、または手順の実行などを行うと、危険な放射線にさらされる可能性があります。

法令順守通知：本サーマルシリーズ製品は、アメリカ合衆国、欧州連合、英国などワッセナー・アレンジメントの会員国を含むがそれだけに限定されない各国・各地域で、輸出管理の対象となる可能性があります。サーマルシリーズ製品を外国へ転送・輸出・再輸出する場合は、貴社の法務・コンプライアンス部門もしくは自国の政府機関に、輸出ライセンスの条件についてご確認ください。

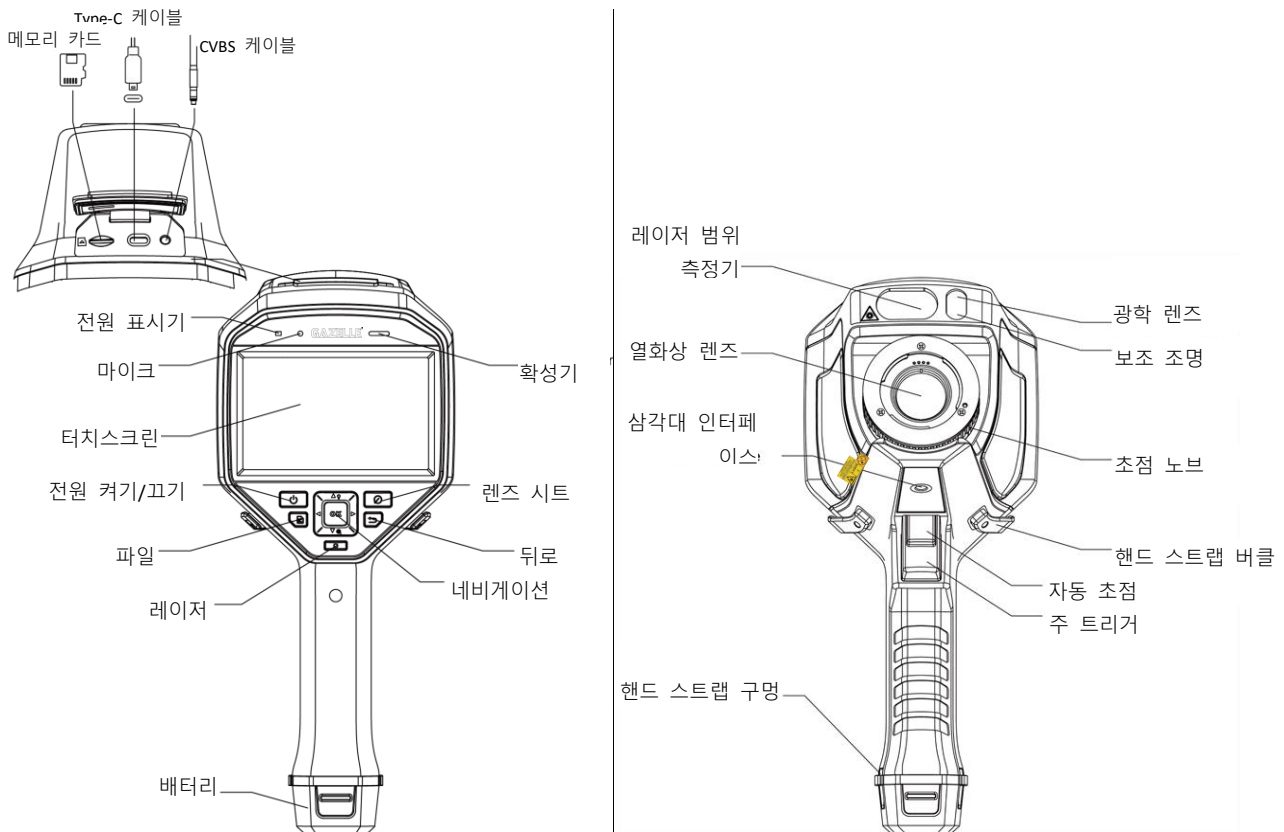
한국어

## 1. 간략 설명

휴대용 열화상 카메라는 광학 이미지와 열화상 이미지를 모두 제공합니다. 열화상, 거리측정, 영상녹화, 스냅샷 촬영, 알람 등의 기능이 있습니다. 내장된 고감도 IR 감지기와 고성능 센서가 온도 변화를 감지하여 실시간으로 온도를 측정합니다. 온도 측정 범위는  $\pm 2^{\circ}\text{C}(\pm 3.6^{\circ}\text{F})$  또는 2%의 정확도로  $-20^{\circ}\text{C}\sim 650^{\circ}\text{C}(-4^{\circ}\text{F}\sim 1,202^{\circ}\text{F})$ 입니다. 이 제품을 통해 사용자는 위험한 부분을 찾고 재산 손실을 줄일 수 있습니다.

이 장비를 통해 휴대폰에서 실시간 보기 보기, 캡처 및 녹화가 가능합니다.

## 2. 외관



**노트:** 경고 표시는 레이저 아래 및 장비 왼쪽에 있습니다.

구성요소	기능
네비게이션 버튼	메뉴 모드: <ul style="list-style-type: none"> <li>● ▽, △, ▷, ◁ 표시를 눌러 매개변수를 선택합니다.</li> <li>● 확인을 눌러 설정을 완료합니다.</li> </ul>
	비메뉴 모드: <ul style="list-style-type: none"> <li>● △ 표시를 눌러 LED 조명 보조 기능을 켜거나 끕니다.</li> <li>● ▽ 눌러 디지털 줌을 시작합니다.</li> </ul>
레이저 버튼	버튼을 누르고 있는 상태에서는 레이저가 켜지고, 버튼에서 손을

구성요소	기능
	떼면 레이저가 꺼집니다.
렌즈 시트 버튼	보정을 수행하려면 렌즈를 덮으십시오.
뒤로가기 버튼	메뉴를 종료하거나 이전 메뉴로 돌아갑니다.
초점 노브	렌즈 초점 거리 조정.
트리거	트리거를 활성화하여 QR 코드를 캡처하거나 스캔합니다. 비디오를 녹화하려면 트리거를 누르십시오.
자동 초점	자동 초점 기능을 켜거나 끄려면 트리거를 누르십시오.
케이블 인터페이스	제공된 케이블로 장비를 충전하거나 파일을 내보내기합니다.

### 3. 장비 충전

장비가 시작되면 OSD(온스크린 디스플레이)에 배터리 상태가 표시됩니다. 배터리가 부족하면 장비를 충전하고 정상적으로 작동하는지 확인하십시오.

최초로 충전하는 경우 장비가 켜진 상태에서 10시간 동안 장비를 충전합니다.

#### 노트:

장비의 RTC(실시간 시계)에 전원을 공급하는 내장 셀 배터리는 장시간 운송하거나 보관하는 동안 방전될 수 있습니다. 장비의 시계가 제대로 작동하려면 RTC 배터리를 다시 충전하는 것이 좋습니다.

RTC 배터리를 완전히 충전하려면 다음 조건을 충족해야 합니다.

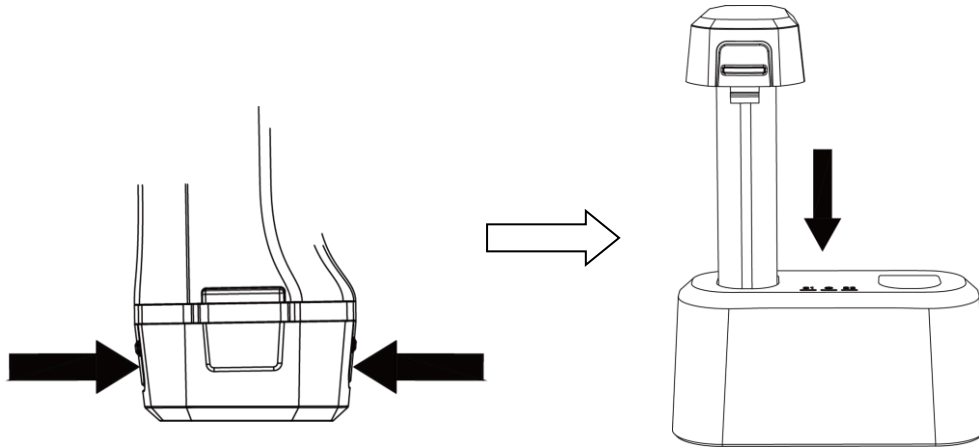
- a) 충전식 리튬 배터리가 장비에 설치되어 있어야 합니다.
- b) 장비를 종료하기 전에 10시간 이상 계속 작동해야 합니다.

#### 3.1 케이블 인터페이스를 통한 장비 충전

##### 단계

1. 인터페이스 덮개를 들어 올립니다.
2. 케이블을 연결하여 장비를 충전하십시오.

#### 3.2 충전 베이스를 통한 장비 충전



**단계:**

1. 장비를 잡고 장비의 배터리 잠금 장치 2개를 누릅니다.
2. 잠금 장치를 잡고 배터리 베이스를 당겨 배터리를 꺼냅니다.
3. 배터리를 충전 베이스에 끼웁니다. 충전 베이스의 파일럿 램프를 통해 충전 상태를 확인할 수 있습니다.
4. 배터리가 완전히 충전되면 충전 베이스에서 배터리를 꺼냅니다.
5. 장비에 배터리를 삽입하십시오.

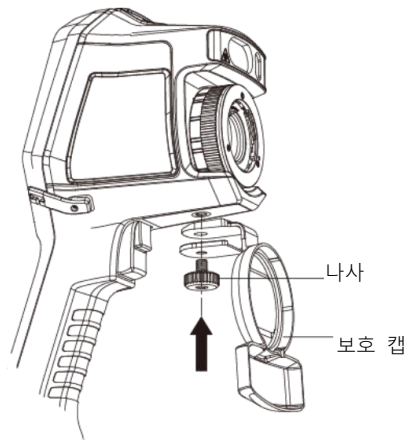
**노트:** 제조사에서 제공한 케이블과 전원 어댑터를 사용하여(또는 제품 사양의 입력 전압에 따라) 장비를 충전하십시오.

**4. 보호 커버 장착**

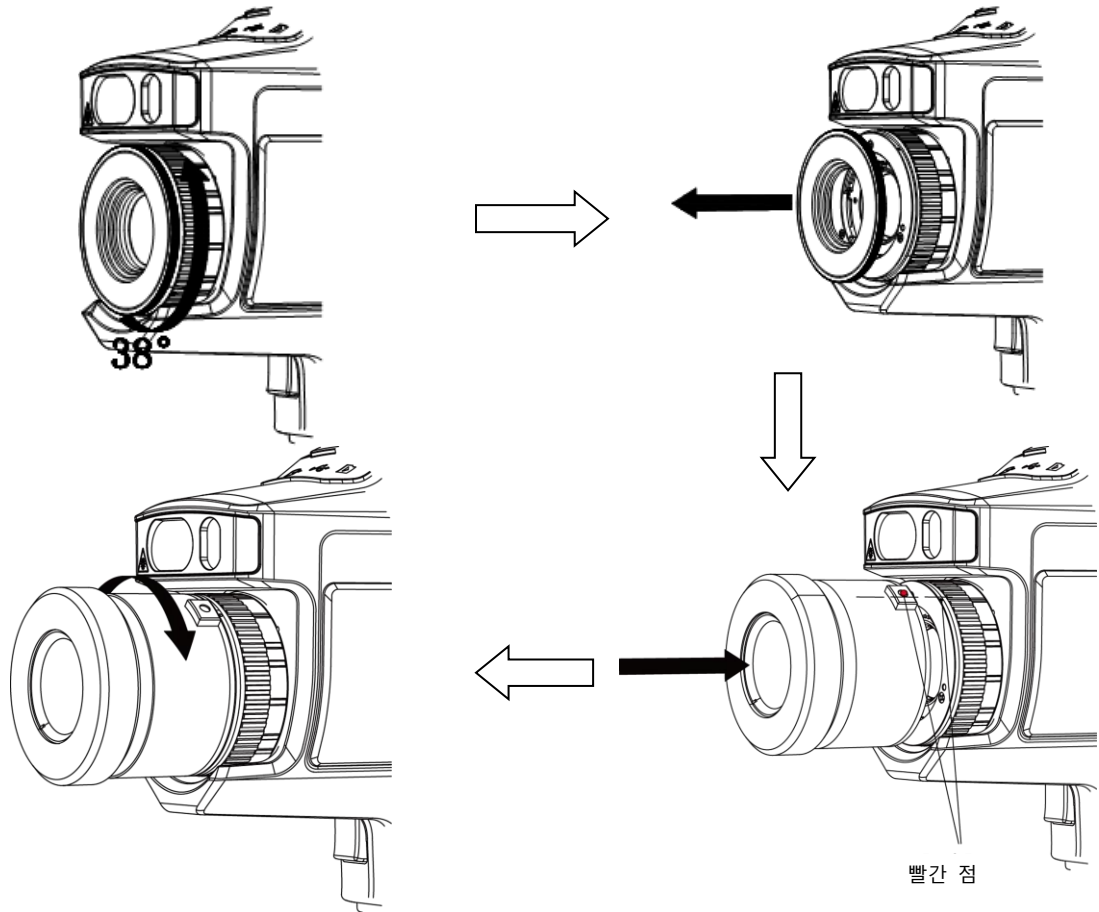
장비를 사용하지 않을 때는 보호 커버를 부착하십시오.

**단계**

1. 장비의 나사 구멍을 렌즈 덮개의 장착 구멍에 맞춥니다.
2. 나사를 끼우고 시계 방향으로 돌려 렌즈 커버를 고정합니다.



**5. 교환식 렌즈 장착(선택 사항)**



## 단계

1. 장식 링을 시계 반대 방향으로 38° 돌립니다.
2. 장식 링을 분리하십시오.
3. 교환식 렌즈와 장비의 빨간 점 2개를 맞춘 다음 교환식 렌즈를 시계 방향으로 돌려 장착을 완료합니다.
4. 교환식 렌즈를 시계 방향으로 돌려 분리합니다.

## 법률 정보

### 매뉴얼 소개

본 매뉴얼에는 제품의 사용 및 관리에 필요한 지침이 포함되어 있습니다. 매뉴얼의 그림, 차트, 이미지 및 기타 모든 정보는 설명용으로만 제공되는 것입니다. 매뉴얼에 포함된 정보는 펌웨어 업데이트 또는 다른 사유로 예고 없이 변경될 수 있습니다. 이 설명서의 최종 버전은 당사 웹사이트에서 확인하십시오.

본 매뉴얼은 제품 지원 교육을 받은 전문가의 안내 및 지원 하에 사용하십시오.

### 상표 등록

언급된 상표 및 로고는 각 소유자의 재산입니다.



## 법적 고지 사항

관련 법률에서 허용하는 최대 범위에서 본 매뉴얼 및 설명된 제품은 하드웨어, 소프트웨어와 펌웨어의 모든 결함 및 오류가 “있는 그대로” 제공됩니다. 당사는 상품성, 품질 만족도, 특정 목적에의 적합성 및 타사의 비침해를 포함하되 이에 국한되지 않고 명시적 또는 묵시적으로 보증하지 않습니다. 제품 사용 시 책임은 전적으로 사용자에게 있습니다. 어떠한 경우에도 당사는 제품의 사용과 관련해 발생하는 특별한, 결과적, 부수적 또는 간접적 손해 및 특히 사업상의 이익 손실, 운영 중단으로 인한 손해 또는 데이터의 손실, 시스템 장애 또는 문서의 손실에 대해 계약 위반, 불법 행위(과실 책임 포함), 제조물 책임 또는 그 외 제품 사용 관련성과 관계없이 일절 책임지지 않으며 당사가 해당 손상 또는 손실이 발생할 가능성을 권고한 경우에도 그렇습니다.

귀하는 인터넷의 특성상 본질적으로 보안 위험이 잠재해 있음을 인정하며, 당사는 사이버 공격, 해커 공격, 바이러스 감염 또는 기타 인터넷 보안 위험으로 인해 발생한 비정상 작동, 개인정보 유출 또는 기타 손해에 대해 일절 책임지지 않습니다. 그러나 당사는 필요한 경우 시기적절하게 기술 지원을 제공합니다.

귀하는 해당되는 모든 법률을 준수해 본 제품을 사용하는 데 동의하며, 해당되는 법률을 준수해 사용하는 것은 전적으로 귀하의 책임입니다. 특히, 귀하는 퍼블리시티권, 지적 재산권, 데이터 보호 및 기타 개인 정보 보호권을 포함하되 이에 국한되지 않고 제3자의 권리를 침해하지 않는 방식으로 본 제품을 사용하는 것에 대해 책임을 집니다. 귀하는 대량 살상 무기 개발 또는 생산, 화학 또는 생물 무기 개발 또는 생산, 핵폭발 또는 안전하지 않은 핵연료 주기와 관련된 또는 인권 침해를 조장할 수 있는 개발 또는 생산을 포함해 금지된 최종 용도를 위해 본 제품을 사용하지 않습니다.

본 매뉴얼과 적용되는 법률 사이에 충돌이 발생하는 경우 법률이 우선합니다.

## 규제 정보

### EU 적합성 선언



본 제품은 및 제공되는 액세서리(해당되는 경우)에는 “CE”가 표시되어 있으며 EMC Directive 2014/30/EU, RoHS Directive 2011/65/EU에 명시된 적용되는 유럽 공통 표준을 준수합니다.



2012/19/EU(WEEE 지침): 이 기호가 표시된 제품은 유럽 연합 내에서 분류되지 않은 일반폐기물로 폐기할 수 없습니다. 적절히 재활용하기 위해 동급 장비를 새로 구매할 때 현지 공급업체에 제품을 반납하거나 지정된 수거 장소에 폐기하십시오. 자세한 내용은 [www.recyclethis.info](http://www.recyclethis.info)를 참조하십시오.



2006/66/EC(배터리 지침): 본 제품에는 유럽 연합 내에서 분류되지 않은 일반폐기물로 폐기할 수 없는 배터리가 포함되어 있습니다. 특정 배터리에 관한 자세한 내용은 제품 관련 문서를 참조하십시오. 이 기호가 표시된 배터리에는



카드뮴(Cd), 납(Pb) 또는 수은(Hg)을 나타내는 글자가 포함될 수 있습니다. 적절히 재활용하기 위해 공급업체에 배터리를 반납하거나 지정된 수거 장소에 폐기하십시오. 자세한 내용은 [www.recyclethis.info](http://www.recyclethis.info)를 참조하십시오.

## 안전 지침

이 지침은 사용자가 제품을 올바르게 사용해 위험 또는 재산상의 손실을 방지하도록 하기 위해 제공되는 것입니다.

### 법률 및 규정

- 제품을 사용하려면 현지 전기 안전 규정을 엄격히 준수해야 합니다.

### 운반

- 장비를 운반할 때는 본래 포장재 또는 유사한 포장재에 장비를 놓으십시오.
- 포장을 푼 다음에는 나중에 사용할 수 있도록 모든 포장재를 보관하십시오. 고장이 발생할 경우에는 장비를 본래 포장 상태로 포장해 공장으로 반품해야 합니다. 본래 포장 상태로 운송하지 않으면 장비가 손상될 수 있으며, 회사는 일절 책임지지 않습니다.
- 제품을 떨어뜨리거나 물리적 충격을 가하지 마십시오. 장비가 전자파의 간섭을 받지 않도록 하십시오.

### 전원 공급 장치

- IEC61010-1 표준에 따라 입력 전압은 LPS(5 VDC, 940mA)를 충족해야 합니다. 자세한 내용은 기술 사양을 참조하십시오.
- 플러그가 전원 소켓에 올바르게 연결되어 있는지 확인하십시오.
- 과부하로 인한 과열 또는 화재 위험을 방지하기 위해 하나의 전원 어댑터에 여러 장비를 연결하지 마십시오.

### 배터리

- 내장 배터리는 분해할 수 없습니다. 제품 수리가 필요하신 경우 제조업체에 문의하십시오.
- 제공되는 충전기로 다른 유형의 배터리를 충전하지 마십시오. 충전하는 동안 충전기에서 2m 이내에 가연성 물질이 없도록 하십시오.
- 배터리를 장기간 보관하는 경우 배터리의 품질을 보장하기 위해 6개월마다 완충하십시오. 그렇지 않을 경우 손상될 수 있습니다.
- 배터리를 열원 또는 화재 발생원 근처에 두지 마십시오. 직사광선을 피하십시오.
- 배터리를 삼키면 화학적 화상을 입을 수 있습니다.
- 배터리를 어린이의 손에 닿는 곳에 두지 마십시오.
- 장비의 전원이 꺼져 있고 RTC 배터리가 완전히 충전되면 15일 동안 시간 설정이 유지될 수 있습니다.

- 최초 사용 시 장비의 전원을 켜고 RTC 배터리를 리튬 배터리를 사용해 10시간 이상 충전하십시오.
- 배터리 전압은 3.6V, 배터리 용량은 6,700mAh입니다.
- 배터리는 UL2054 인증을 받았습니다.

## 유지 관리

- 제품이 제대로 작동하지 않을 경우 판매점 또는 가까운 서비스 센터에 문의하십시오. 당사는 무단 수리 또는 유지 관리로 인해 발생한 문제에 대해 일절 책임지지 않습니다.
- 장비의 일부 구성 요소(예: 전해 커패시터)는 주기적으로 교체해야 합니다. 제품의 균 수명은 상황에 따라 다르므로 정기적으로 점검하시는 것이 좋습니다. 자세한 내용은 판매점에 문의하십시오.
- 필요한 경우 깨끗한 헝겊에 에탄올을 소량 묻혀 장비를 부드럽게 닦아주십시오.
- 제조사가 지정하지 않은 방식으로 장비를 사용하는 경우 장비에 의해 제공되는 보호 성능이 손상될 수 있습니다.
- 장비 보정을 위해 1년에 한 번 장비를 반송하는 것이 좋으며, 유지 보수 사항에 대한 정보는 지역 대리점에 문의하십시오.
- USB 3.0 PowerShare 포트에 대한 제한 사항은 PC 브랜드에 따라 다를 수 있으며, 이로 인해 비호환성 문제가 발생할 수 있습니다. 따라서 USB 3.0 PowerShare 포트를 통해 PC에서 USB 장치를 인식하지 못하는 경우 일반 USB 3.0 또는 USB 2.0 포트를 사용하는 것이 좋습니다.

## 사용 환경

- 장비를 너무 뜨겁거나 차가운 곳, 먼지가 많거나 부식하기 쉬운 곳, 염분-알칼리성 환경 또는 습한 환경에 노출하지 마십시오. 작동 환경이 장비의 작동 요구 사항을 충족하도록 하십시오. 작동 온도는 -20°C~50°C(-4°F~122°F)여야 하며 작동 습도는 90% 이하여야 합니다.
- 이 장비는 해발 2000m 이하 지역에서만 안전하게 사용할 수 있습니다.
- 장비를 건조하고 통풍이 잘되는 환경에 두십시오.
- 장비를 전자파 방사가 높거나 먼지가 많은 환경에 노출하지 마십시오.
- 렌즈를 태양 또는 기타 밝은 빛에 조준하지 마십시오.
- 레이저 장비를 사용할 때는 장비 렌즈를 레이저 빔에 노출하지 마십시오. 그렇지 않으면 화재가 발생할 수 있습니다.
- 본 장비는 실내 및 실외에서 사용할 수 있으나 습한 환경에는 노출시키지 마십시오.
- 방수방진 등급은 IP54입니다.
- 내오손도 등급은 2입니다.

## 비상 버튼

- 장비에서 연기, 냄새 또는 소음이 발생하는 경우 시 전원을 끄고 전원 케이블을 뽑은 다음

서비스 센터에 연락하십시오.

## 레이저

경고: 장비에서 방출되는 레이저 방사선은 눈 손상, 피부 화상을 초래하거나 인화성 물질을 생성할 수 있습니다. 레이저를 눈으로 직접 보지 않도록 하십시오. 보완 조명 기능을 활성화하기 전에 레이저 렌즈 앞에 사람 또는 인화성 물질이 없도록 하십시오. 파장은 650nm이고 전력은 1mW 미만입니다. 레이저는 IEC60825-1:2014 표준을 충족합니다.



레이저 유지 보수: 정기적으로 레이저 관리할 필요는 없습니다. 레이저가 작동하지 않는 경우 보증에 따라 공장에서 레이저 어셈블리를 교체해야 합니다. 레이저 어셈블리를 교체할 때 장비의 전원을 끄도록 하십시오. 주의-여기에 지정되지 않은 제어 또는 조정을 사용하거나 절차를 수행하는 경우 위험한 방사선에 노출될 수 있습니다.

규정 준수 알림: 열화상 시리즈 제품은 미국, 유럽 연합, 영국 및/또는 기타 바세나르 협정국을 포함하되 이에 국한되지 않고 여러 국가 및 지역의 수출 통제 대상이 될 수 있습니다. 열화상 시리즈 제품을 국가 간 운송, 수출, 재수출하려는 경우 필요한 수출 라이선스 요구 사항에 대해 법률 또는 규정 준수 전문가 또는 해당 국가의 정부 기관에 문의하십시오.

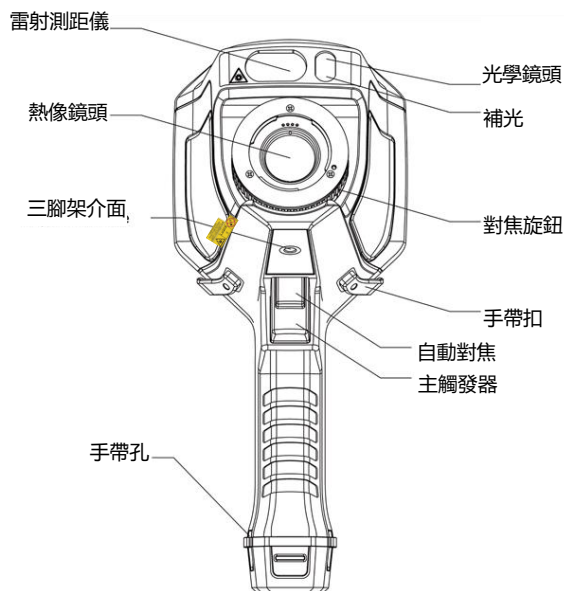
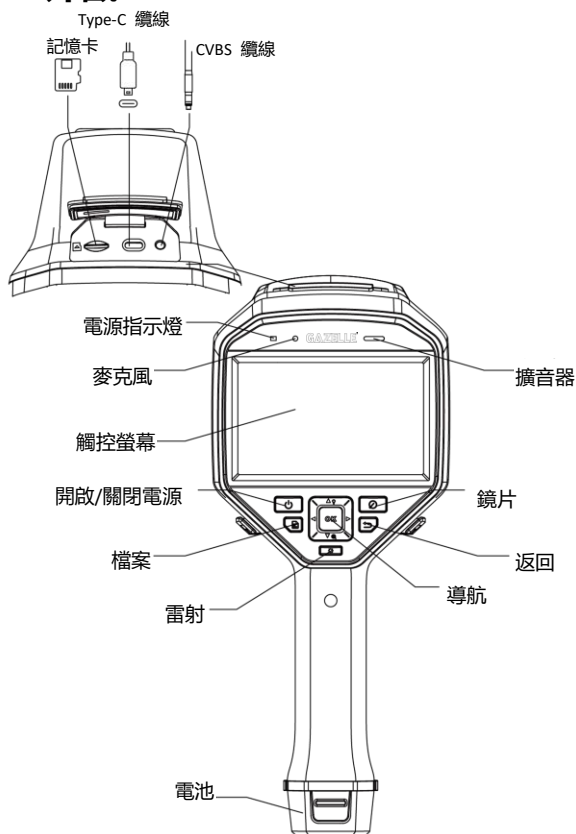
## 繁體中文

### 1. 簡述

手持式熱成像攝影機是一種兼具光學影像和熱影像的攝影機。可進行熱成像、距離測量、錄影、快照拍攝、發出警報等。內建高靈敏度紅外線偵測器和高效能感測器偵測溫度變化，並且測量即時溫度。溫度測量範圍為 -20 °C 至 650 °C (-4 °F 至 1202 °F) ，準確度為 ± 2 °C (± 3.6 °F) 或 2%。幫助使用者發現風險部分，並降低其財產損失。

裝置支援在手機上觀看即時檢視、拍攝和錄製。

## 2. 外觀



**註記：**警告標誌位於雷射器底下和裝置左邊。

元件	功能
導航按鈕	選單模式： ● 按下 ▽、△、▷ 和 ◁ 即可選取參數。 ● 按下 <b>確定</b> 即可確認。
	非選單模式： ● 按下 △ 即可開啟/關閉 LED 補光。 ● 按下 ▽ 即可啟動數位變焦。
雷射按鈕	按住按鈕即可開啟雷射，而鬆開按鈕即可關閉雷射。
鏡片按鈕	蓋住鏡頭即可進行校正。
返回按鈕	退出選單或返回上一層選單。
對焦旋鈕	調整鏡頭焦距。
觸發器	拉動觸發器即可拍攝或掃描 QR 代碼。
	按住觸發器即可錄影。
自動對焦	拉動觸發器即可開啟/關閉自動對焦功能。

元件	功能
纜線介面	使用隨附的纜線為裝置充電或匯出檔案。

### 3. 裝置充電

裝置啟動後，OSD（螢幕上顯示）會顯示電池狀態。當電池電量低時，為裝置充電並確保其運作正常。第一次充電時，請在裝置開啟時為裝置充電 10 小時。

#### 註記：

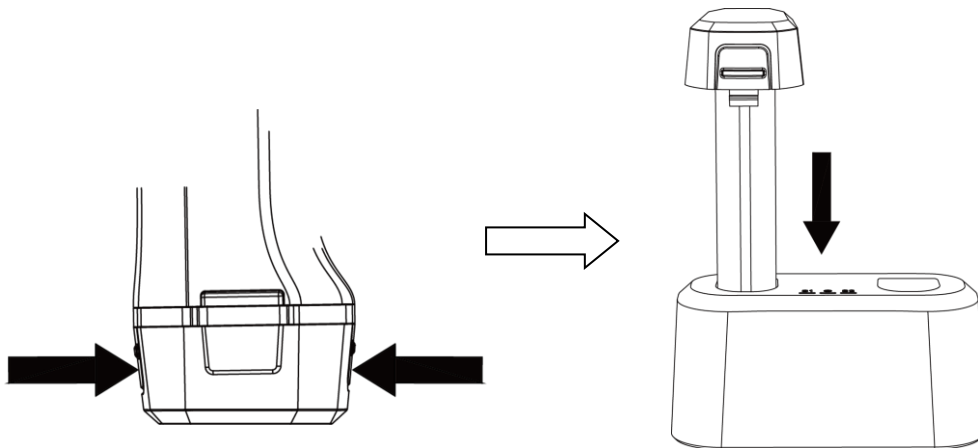
- 為裝置的即時時鐘 (RTC) 供電的內建電池可能在長期運輸或儲存期間耗盡電量。建議為 RTC 電池再充電以確保裝置時鐘正常運作。
- 若要為 RTC 電池充滿電，應符合以下要求：
  - a) 可充電鋰電池應安裝在裝置上。
  - b) 裝置應先保持運作超過 10 小時再關機。

#### 3.1 透過纜線介面為裝置充電

##### 步驟

1. 提起介面蓋。
2. 插入纜線並為裝置充電。

#### 3.2 透過充電座為裝置充電



##### 步驟：

1. 握住裝置，並按下裝置的兩個電池鎖扣。
2. 按住鎖扣，抽拉電池座即可取出電池。
3. 將電池插入充電座。您可透過充電座上的引示燈查看充電狀態。
4. 電池充滿電後，將電池從充電座中抽出。
5. 將電池插入裝置。

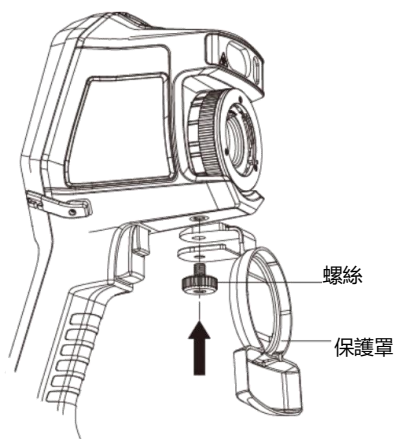
**註記：** 請使用製造商供應的纜線和電源變壓器（或根據規格中的輸入電壓）為裝置充電。

#### 4. 安裝保護蓋

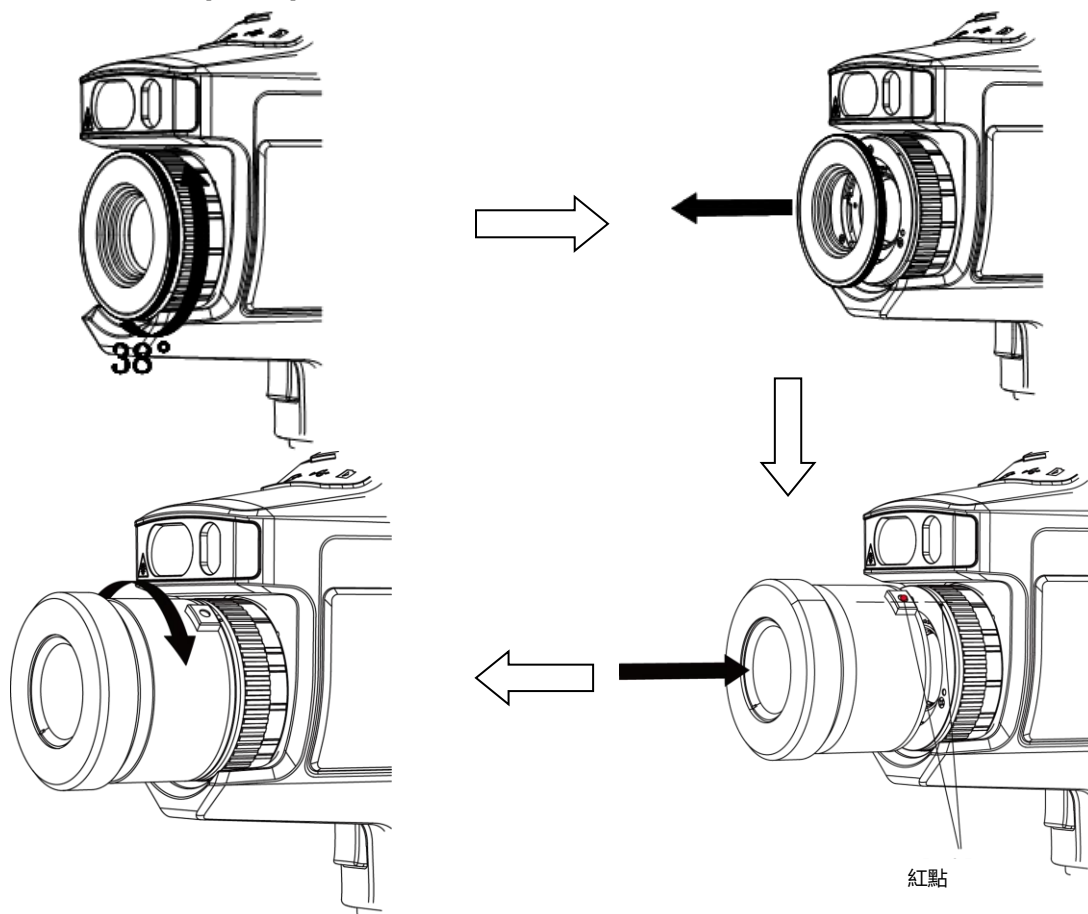
不使用裝置時蓋上保護蓋。

##### 步驟

1. 將裝置的螺紋孔與鏡頭蓋的安裝孔對準。
2. 插入螺絲，順時針旋轉即可固定鏡頭蓋。



#### 5. 安裝可更換鏡頭（選用）



##### 步驟

1. 將裝飾環逆時針旋轉 38°。
2. 取下裝飾環。
3. 對準可更換鏡頭和裝置上的兩個紅點，然後順時針旋轉可更換鏡頭以完成安裝。

4. 順時針旋轉可更換鏡頭將其固定。

## 法律資訊

### 關於本手冊

本手冊提供有關使用和管理產品的指示。以下的圖片、圖表、圖像和所有其他資訊僅供描述和說明用途。本手冊所含資訊可能會因韌體升級或其他原因而變動，恕不另行通知。請在公司網站找到本手冊的最新版本

請在受過產品支援訓練的專業人員的指引與協助下使用本手冊。

### 商標告知

所提及的商標和標誌為各自擁有者的財產。

### 法律免責聲明

在適用法律允許的最大範圍內，本手冊及所描述產品，其硬體、軟體和韌體均以「現狀」提供，瑕疵錯誤概不負責。本公司不作任何明示或暗示的保證，包括但不限於適售性、品質滿意度或適合某特定用途。您必須承擔使用本產品的風險。對於任何特殊、衍生、偶發或間接的損害，包括但不限於營業利潤損失、營業中斷，或者資料遺失、系統毀損或文件遺失，只要是基於違反合約、侵權（包括過失）、產品責任或產品使用（即使本公司已知悉可能有此類損害或損失），本公司概不負責。

您了解網際網路的性質具有固有的安全風險，對於因網路攻擊、駭客攻擊、病毒感染或其他網路安全風險而造成的異常運作、隱私洩漏或其他損害，本公司概不承擔任何責任；但本公司將提供及時的技術支援。您同意依照所有適用法律使用本產品，而且您有責任確保您的使用符合適用法律。特別是，您有責任在使用本產品時不侵犯第三方權利，包括但不限於出版權、知識財產權或資訊保護以及其他隱私權。您不得將本產品用於任何禁止的最終用途，包括開發或生產大規模毀滅性武器、開發或生產化學武器或生物武器，以及任何有關核爆炸或不安全核燃料循環的任何活動，或支持侵犯人權。

如果本手冊與適用法律產生任何衝突，以後者為準。

## 法規資訊

### 歐盟聲明



本產品及（如果適用）其附件都已標示「CE」，因此符合適用 EMC Directive 2014/30/EU (RoHS 指令 2011/65/EU) 所列統一歐洲標準。



2012/19/EU (WEEE 指令)：已標示此符號的產品在歐盟不得當成未分類的都市廢棄物處理。為了正確回收，請在購買同等的新設備時將本產品退回當地供應商，或將其棄置在指定的回收點。有關詳細資訊請參閱 [www.recyclethis.info](http://www.recyclethis.info)。



2006/66/EC (電池指令): 本產品內含一顆電池, 在歐盟區不能當成未分類的都市廢棄物處理。有關特定的電池資訊, 請參閱產品說明文件。已標示此符號的電池可能含有代表鎘 (Cd)、鉛 (Pb)或汞 (Hg) 的字母。為正確回收, 請將電池送回供應商或指定的回收點。有關詳細資訊請參閱 [www.recyclethis.info](http://www.recyclethis.info)。

## 安全指示

這些指示的目的在確保使用者正確使用本產品, 避免造成危險或財產損失。

### 法律和法規

- 使用本產品必須嚴格遵守當地電氣安全法規。

### 運輸

- 在運送裝置時, 請將裝置放入原本的或類似的包裝中。
- 在拆封後保留所有包裝以供將來使用。如果發生任何故障, 則需要利用原本的包裝將裝置送回工廠。未使用原本的包裝運輸可能會導致裝置損壞, 本公司概不承擔任何責任。
- 請勿使本產品掉落或遭受撞擊。請勿讓裝置受到磁性干擾。

### 電源供應

- 根據 IEC61010-1 標準, 輸入電壓應符合有限電源 (5 VDC, 940 mA) 的規定。如需詳細資訊, 請參閱技術規格。
- 確認已將插頭正確連接至電源插座。
- 請勿將多個裝置連接至相同電源變壓器以避免過熱, 或因過載造成火災危險。

### 電池

- 內建電池無法拆卸。如有必要, 請聯絡製造商修復。
- 請勿使用隨附的充電器為其他類型的電池充電。確認充電時充電器距離 2 公尺內沒有易燃物料。
- 為了長期儲存電池, 請確保電池每半年充滿電, 以確保電池品質。否則, 可能會造成損壞。
- 請勿將電池放在加熱或火源附近。避免陽光直射。
- 不要吞下電池以避免化學灼傷。
- 請勿將電池放在兒童接觸得到的地方。
- 當裝置電源關閉且 RTC 電池充滿時, 時間設定可保持 15 天。
- 首次使用時, 將裝置通電, 並用鋰電池為 RTC 電池充電超過 10 小時。
- 電池電壓為 3.6 V, 且電池容量為 6700 mAh。
- 電池通過 UL2054 認證。



## 維護

- 如果產品無法正常運作，請聯絡您的經銷商或最近的服務中心。對於因未經授權的維修或保養而造成的問題，本公司概不承擔任何責任。
- 部分裝置元件（例如電解電容）需要定期更換。平均壽命不同，因此建議定期檢查。如需詳細資訊，請聯絡您的零售商。
- 如有需要，請使用乾淨的布和少量酒精輕輕擦拭裝置。
- 如果以製造商未指定的方式使用設備，則可能會影響裝置所提供的保護。
- 我們建議您每年將裝置送回校準一次，請聯絡當地經銷商取得維護點的資訊。
- 請注意，USB 3.0 PowerShare 連接埠的電流限制可能因 PC 品牌而異，這可能會導致不相容問題。因此，如果 USB 裝置無法由 PC 透過 USB 3.0 PowerShare 連接埠辨識，建議使用一般 USB 3.0 或 USB 2.0 連接埠。

## 使用環境

- 請勿將裝置暴露在極熱、寒冷、塵土飛揚、腐蝕性、鹽-鹼或潮濕的環境中。請確定操作環境符合裝置的需求。工作溫度應為  $-20^{\circ}\text{C}$  至  $50^{\circ}\text{C}$  ( $-4^{\circ}\text{F}$  至  $122^{\circ}\text{F}$ )，工作濕度應為 90% 以下。
- 此裝置只能在海拔 2000 公尺以下的地區安全使用。
- 將裝置放在乾燥且通風良好的環境中。
- 請勿使裝置暴露於高電磁輻射或塵土飛揚的環境中。
- 請勿將鏡頭瞄準陽光或任何其他明亮的光線。
- 使用任何雷射設備時，請確保裝置鏡頭未暴露在雷射光束中，否則可能會燒毀。
- 裝置適合在室內和戶外使用，但請勿將其暴露在潮濕環境中。
- 保護等級為 IP 54。
- 污染等級為 2。

## 緊急

- 如果裝置產生煙霧、異味或噪音，請立即關閉電源，拔除電源線，並聯絡維修中心。

## 雷射

警告：裝置發射的雷射輻射可能會導致眼睛受傷、皮膚燃燒或易燃物質。防止雷射直射眼睛。在啟用補光功能之前，請確保雷射鏡頭前面沒有人類或易燃物質。波長為 650 nm，且功率小於 1 mW。雷射符合 IEC60825-1:2014 標準。



雷射維護：不必定期維護雷射。如果雷射器未運作，則需要在保固期內於工廠中更換雷射總成。裝置在更換雷射總成時請保持電源關閉。注意 - 控制之使用或程序之調整或進行如未依照本文中所指，可能導致危險的輻射暴露。

合規性注意事項：熱像系列產品可能在不同國家或地區受到出口管制，包括但不限於美國、歐盟、英國和/或瓦森納協議的其他成員國。如果您打算在不同國家之間轉讓、出口、再出口熱像系列產品，請洽詢您的專業法律或合規性專家或地方政府機關，以瞭解任何必要的出口許可要求。

INNOVATION  
PERFORMANCE  
SAFETY  
CONFIDENCE  
GAZELLE

**GAZELLE**

[sales@gazelleindustrial.com](mailto:sales@gazelleindustrial.com) | [www.gazelleindustrial.com](http://www.gazelleindustrial.com)